

6

5

4

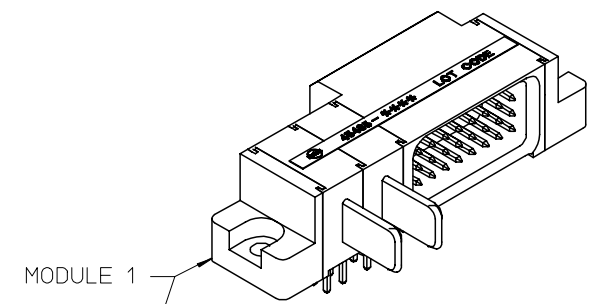
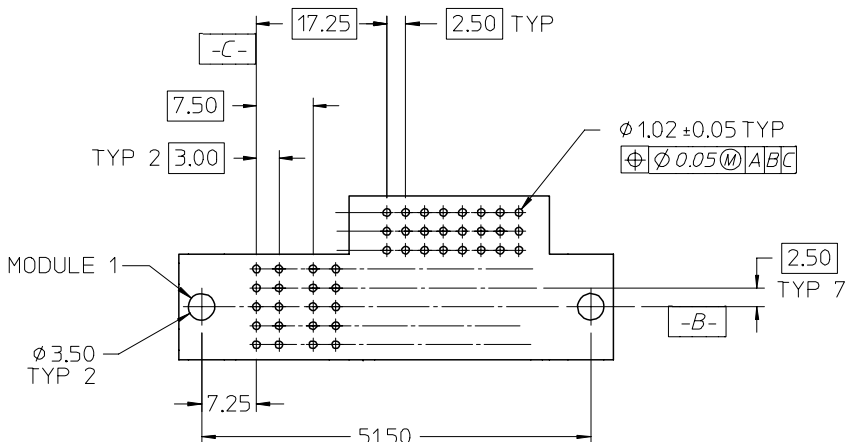
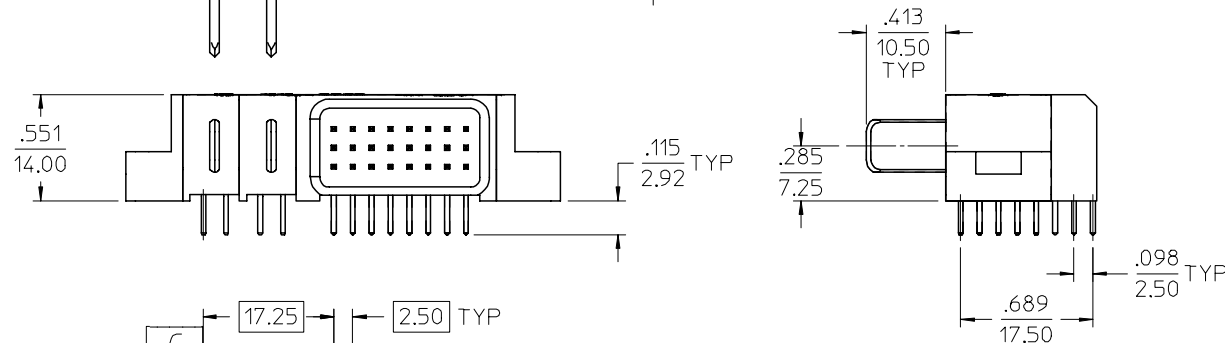
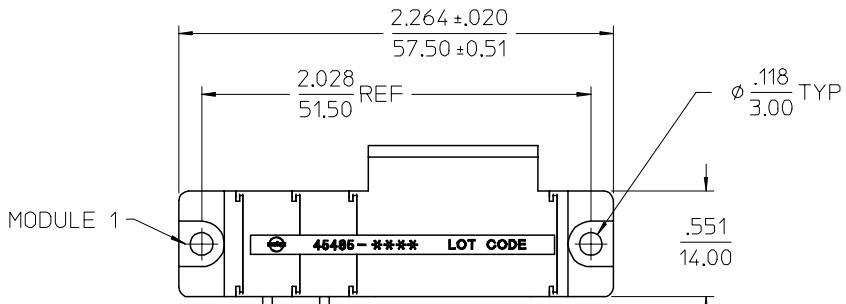
3

2

45485

NOTES:

- 1. MATERIAL: LCP, GLASS FILLED, UL94V-0, BLACK.
CONTACTS: COPPER ALLOY
- 2. FINISH: SELECT GOLD: 30 MI MIN.
SELECT TIN: 100 MI MIN.
BOTH OVER NICKEL.
- 3. PRODUCT SPECIFICATION: PS-45424-001.
- 4. PACKAGING SPECIFICATION: PK-45485-001.



PCB LAYOUT: COMPONENT SIDE
 PCB THICKNESS: .062/1.57 MIN
 PCB TOLERANCE: ±.002/0.05

EC NO: UCP2005-2176	DESCRIPTION
DRWN: ADRAINDL2005/05/13	
CHKD: SAMIEC 2005/05/16	
APPR: YMARGULI 2005/05/18	
A1	REV

GENERAL TOLERANCES (UNLESS SPECIFIED)	
mm	INCH
4 PLACES ± ---	± ---
3 PLACES ± ---	± .010
2 PLACES ± 0.25	± .015
1 PLACE ± 0.38	± ---
ANGULAR ±1/2°	
DRAFT WHERE APPLICABLE	
MUST REMAIN WITHIN DIMENSIONS	

SCALE 1:1	DESIGN UNITS METRIC
DIMENSION STYLE IN/MM	
DRAWN BY DRATNOL	DATE 2004/10/28
CHECKED BY SAMIEC	DATE 2004/10/28
APPROVED BY MARGULIS	DATE 2004/10/28

PD 500	PD 105	PD 105	PD 334	PD 501
--------	--------	--------	--------	--------

THIRD ANGLE PROJECTION	REVISE ON CAD ONLY
TITLE POWER DOCK ASSEMBLY POWER RIGHT ANGLE SOLDER TAIL	
molex MOLEX INCORPORATED	
MATERIAL NO. 45485-0215	DOCUMENT NO. SD-45485-215
SHEET NO. 1 OF 1	
THIS DRAWING CONTAINS INFORMATION THAT IS PROPRIETARY TO MOLEX INCORPORATED AND SHOULD NOT BE USED WITHOUT WRITTEN PERMISSION	

5

4

3

2

1