

10 9 8 7 6 5 4 3 2 1

F

E

D

C

B

A

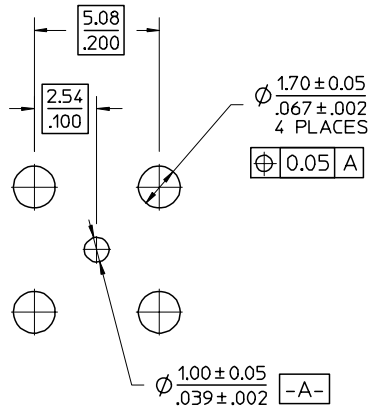
**MATERIALS AND FINISHES**

BODY  
BRASS, GOLD PLATED

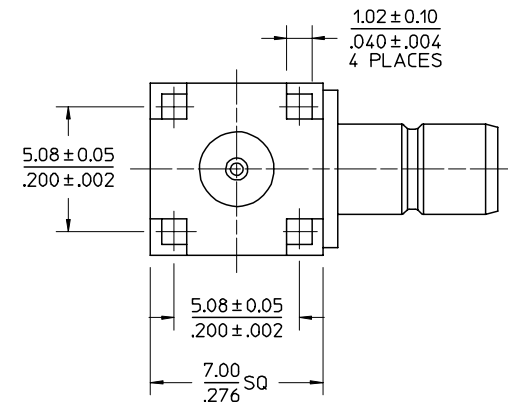
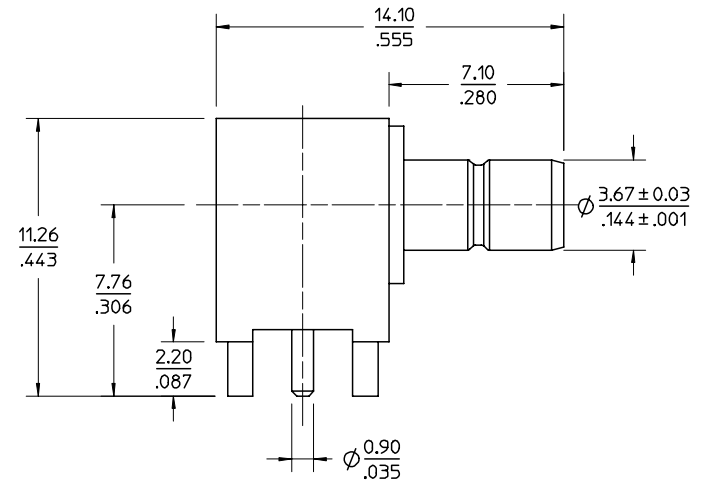
CENTER CONTACT  
PHOSPHOR BRONZE, GOLD PLATED

INSULATOR  
TEFLON

HOUSING  
BRASS, GOLD PLATED



RECOMMENDED PCB HOLE CONFIGURATION



PART # 73396-0160

|                   |                       |
|-------------------|-----------------------|
| ES-73599-0000-013 | INTERFACE DIMENSION   |
| PS-73598-0099     | PRODUCT SPECIFICATION |
| SPECIFICATION     | DESCRIPTION           |

|                     |             |
|---------------------|-------------|
| MODIFY TAPE         | DESCRIPTION |
| EC NO: URF2005-0437 | 2005/04/15  |
| DRW:ELIN            | 2005/04/26  |
| CHKD:               | 2005/04/26  |
| APPR:MUANG          | 2005/04/26  |
| C1                  | REV         |

|                 |
|-----------------|
| QUALITY SYMBOLS |
| ▽=0             |
| ▽C=0            |

|  |        |       |
|--|--------|-------|
| GENERAL TOLERANCES (UNLESS SPECIFIED)                | mm     | INCH  |
| 4 PLACES   | ± ---  | ± --- |
| 3 PLACES   | ± ---  | ± --- |
| 2 PLACES   | ± 0.13 | ± --- |
| 1 PLACE  | ± 0.25 | ± --- |
| ANGULAR ± 2 °  |        |       |
| DRAFT WHERE APPLICABLE MUST REMAIN WITHIN DIMENSIONS |        |       |

|                 |            |
|-----------------|------------|
| DIMENSION STYLE |            |
| MM/IN           | SCALE      |
| DRAWN BY        | DATE       |
| LYNN            | 2005/04/12 |
| CHECKED BY      | DATE       |
| KERRIE          | 2005/04/12 |
| APPROVED BY     | DATE       |
| MISEN           | 2005/04/12 |
| MATERIAL NO.    | 73396-0160 |
| SIZE            | A3         |

|   |              |                        |
|---|--------------|------------------------|
| SCALE   | DESIGN UNITS | THIRD ANGLE PROJECTION |
| ---   | METRIC       | ☉ □                    |
| TITLE   |              |                        |
| 50 OHM SMB JACK R/A PCB   |              |                        |
| SMB-J/RA/PCB  |              |                        |
| MOLEX INCORPORATED  |              |                        |
| DOCUMENT NO.  | SHEET NO.    |                        |
| SD-73396-016  | 1 OF 02      |                        |
| THIS DRAWING CONTAINS INFORMATION THAT IS PROPRIETARY TO MOLEX INCORPORATED AND SHOULD NOT BE USED WITHOUT WRITTEN PERMISSION |              |                        |

9 8 7 6 5 4 3 2 1

10 9 8 7 6 5 4 3 2 1

F

F

E

E

D

D

C

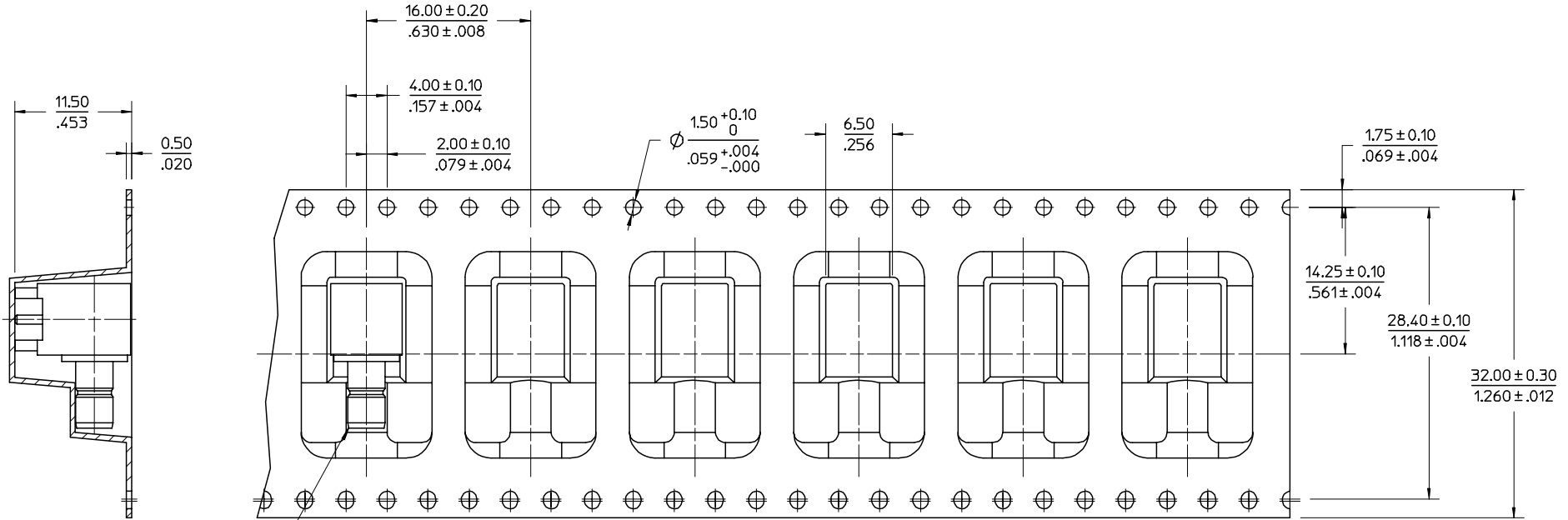
C

B

B

A

A



MOLEX PART NO.:73396-0160

NOTES:

1. 10 PITCHES CUMULATIVE TOLERANCE ±0.2
2. 250 PIECES CONNECTORS MAX. PER REEL ON 13.0(330.2mm) REEL

| SEE SHEET 1<br>EC NO: URF2005-0437<br>DRW:ELIN<br>CHKD:<br>APPR:MHUANG<br>2005/04/15<br>2005/04/26<br>2005/04/26 | QUALITY SYMBOLS  | GENERAL TOLERANCES (UNLESS SPECIFIED)   | DIMENSION STYLE                         | SCALE | DESIGN UNITS | THIRD ANGLE PROJECTION |       |       |          |       |       |          |        |       |         |        |       |       |     |        |                        |
|--|--|---|---|-------|--------------|------------------------|-------|-------|----------|-------|-------|----------|--------|-------|---------|--------|-------|-------|-----|--------|------------------------|
|  | $\nabla=0$<br>$\sphericalangle=0$  | <table border="1"> <thead> <tr> <th></th> <th>mm</th> <th>INCH</th> </tr> </thead> <tbody> <tr> <td>4 PLACES</td> <td>± ---</td> <td>± ---</td> </tr> <tr> <td>3 PLACES</td> <td>± ---</td> <td>± ---</td> </tr> <tr> <td>2 PLACES</td> <td>± 0.13</td> <td>± ---</td> </tr> <tr> <td>1 PLACE</td> <td>± 0.25</td> <td>± ---</td> </tr> </tbody> </table> ANGULAR ± 2 ° |   | mm    | INCH         | 4 PLACES               | ± --- | ± --- | 3 PLACES | ± --- | ± --- | 2 PLACES | ± 0.13 | ± --- | 1 PLACE | ± 0.25 | ± --- | MM/IN | --- | METRIC | THIRD ANGLE PROJECTION |
|  |  | mm  | INCH                                    |       |              |                        |       |       |          |       |       |          |        |       |         |        |       |       |     |        |                        |
|  | 4 PLACES   | ± ---   | ± ---                                   |       |              |                        |       |       |          |       |       |          |        |       |         |        |       |       |     |        |                        |
| 3 PLACES   | ± ---  | ± ---   |   |       |              |                        |       |       |          |       |       |          |        |       |         |        |       |       |     |        |                        |
| 2 PLACES   | ± 0.13   | ± ---   |   |       |              |                        |       |       |          |       |       |          |        |       |         |        |       |       |     |        |                        |
| 1 PLACE  | ± 0.25   | ± ---   |   |       |              |                        |       |       |          |       |       |          |        |       |         |        |       |       |     |        |                        |
| DESCRIPTION  | DRAWN BY: LYNN<br>CHECKED BY: KERRIE<br>APPROVED BY: MISEN<br>DATE: 2005/04/12 | TITLE   | 50 OHM SMB JACK R/A PCB<br>SMB-J/RA/PCB |       |              |                        |       |       |          |       |       |          |        |       |         |        |       |       |     |        |                        |
| REV  | MATERIAL NO.<br>73396-0160   | MOLEX INCORPORATED<br>DOCUMENT NO.<br>SD-73396-016  | SHEET NO.<br>2 OF 02                    |       |              |                        |       |       |          |       |       |          |        |       |         |        |       |       |     |        |                        |

DRAFT WHERE APPLICABLE  
MUST REMAIN  
WITHIN DIMENSIONS

THIS DRAWING CONTAINS INFORMATION THAT IS PROPRIETARY TO MOLEX INCORPORATED AND SHOULD NOT BE USED WITHOUT WRITTEN PERMISSION

9 8 7 6 5 4 3 2 1