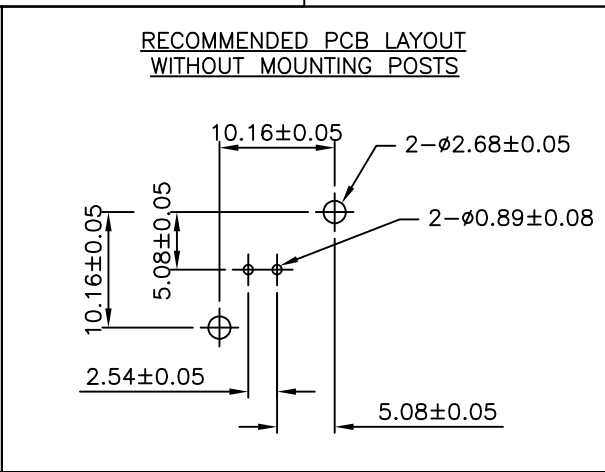
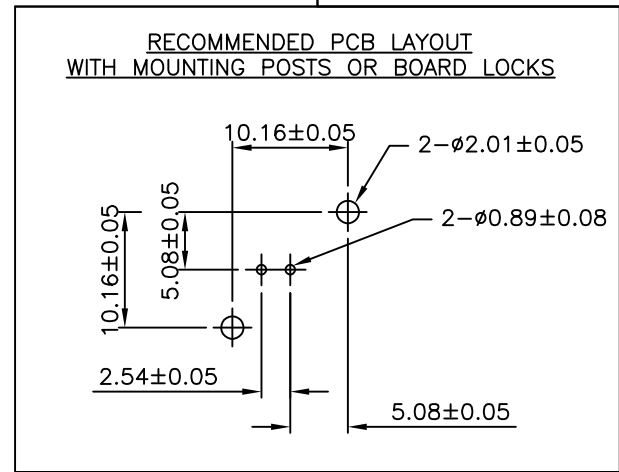
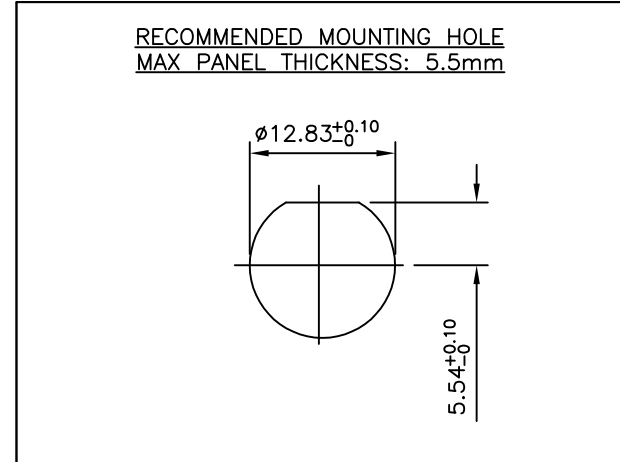
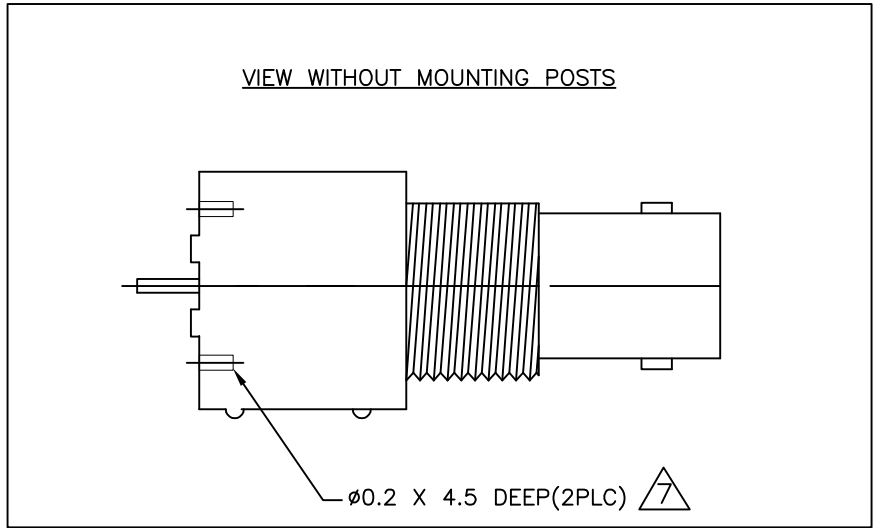
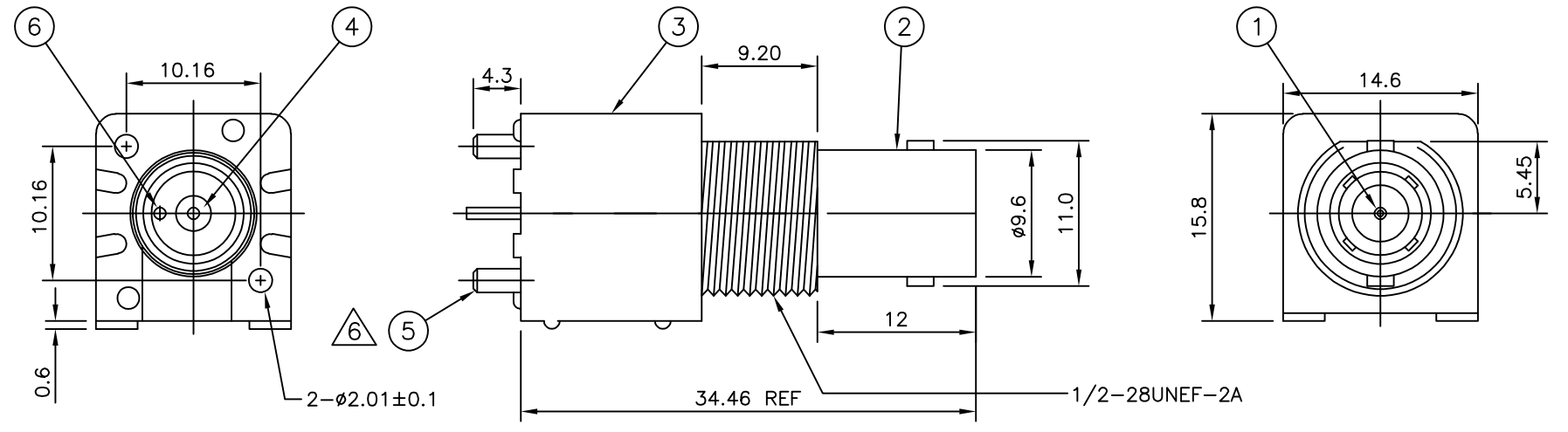


THIS DRAWING IS UNPUBLISHED. RELEASED FOR PUBLICATION JULY, 2005.
 © COPYRIGHT 2005 By - ALL RIGHTS RESERVED.

LOC	DIST	REVISIONS			
P	LTR	DESCRIPTION	DATE	DWN	APVD
E	B	B1	REVISED PER ECO-11-005033	01APR11	RK HMR
		C	REVISED PER ECO-12-010042	29MAY2012	TITAN MARTIN

- NOTES:**
- ① SINGLE PACK IN ACCORDANCE WITH AMP SPEC 107-3275
 - ② 50 TRAY PACK IN ACCORDANCE WITH AMP SPEC 107-3275
 - ③ Au PLATING OVER Ni PLATING OVER Cu PLATING
 - ④ Ni PLATING OVER Cu PLATING
 - ⑤ TIN PLATING
 - ⑥ MOUNTING POSTS ARE OPTIONAL SEE TABLE FOR PART NUMBERS
 - ⑦ RECOMMENDED SELF-TAPPING SCREW 221108-4
 - 8. RECOMMENDED MOUNT NUT 1-1634816-0
 - 9. RECOMMENDED LOCKWASHER 1-1634817-0
 - 10. FOR TECHNICAL DATA REFER TO YOUR LOCAL TE CONNECTIVITY SALES OFFICE
 - 11. ALL DIMENSIONS ARE NOMINAL FOR REFERENCE ONLY UNLESS OTHERWISE STATED



QTY	QTY	QTY	QTY	MATERIAL	DESCRIPTION	ITEM
1	1	1	1	BRASS	SOLDER TAIL	6
-	-	2	2	BRASS	MOUNTING POST	5
1	1	1	1	PE-606	INSULATOR	4
1	1	1	1	PBT BLACK	HOUSING	3
1	1	1	1	ZINC ALLOY	BODY	2
1	1	1	1	BRASS	CONTACT	1
6--1	1--1	6--0	1--0			
②	①	②	①			

QUANTITY PER ASSY PARTS LIST

THIS DRAWING IS A CONTROLLED DOCUMENT.		DWN RITA ZUO 06 Mar 09	TE Connectivity	
DIMENSIONS: mm		CHK ANSON MA 06 Mar 09		
TOLERANCES UNLESS OTHERWISE SPECIFIED:		APVD BOB ZHAO 06 Mar 09	NAME	
0 PLC ± 0.5		PRODUCT SPEC 108-112000		
1 PLC ± 0.3		APPLICATION SPEC		
2 PLC ± 0.2		SIZE CAGE CODE DRAWING NO RESTRICTED TO		
3 PLC ± -		A3 00779 C-1634629		
4 PLC ± -		SCALE 1:1 SHEET 1 OF 1 REV C		
ANGLES ± -		CUSTOMER DRAWING		
FINISH ± -				
MATERIAL SEE TABLE				
SEE TABLE				