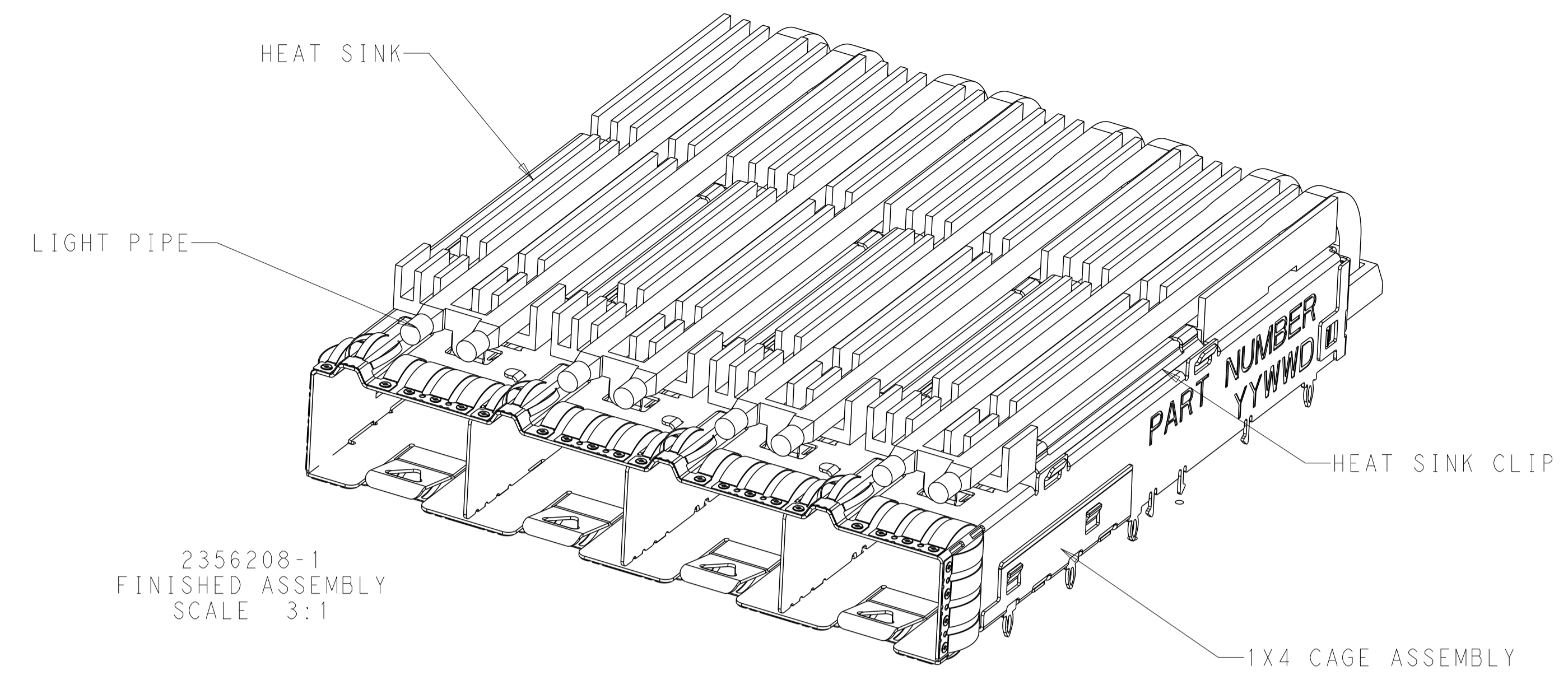
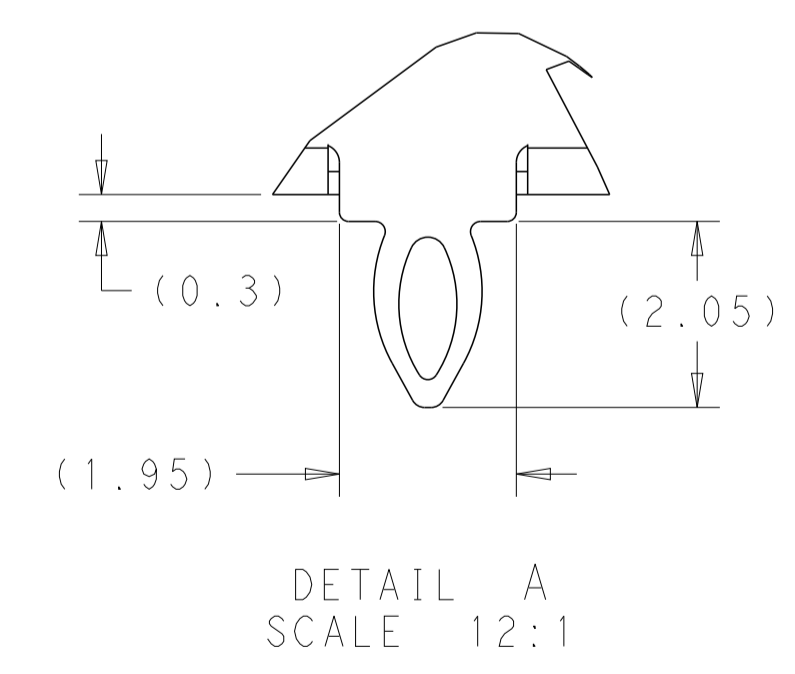
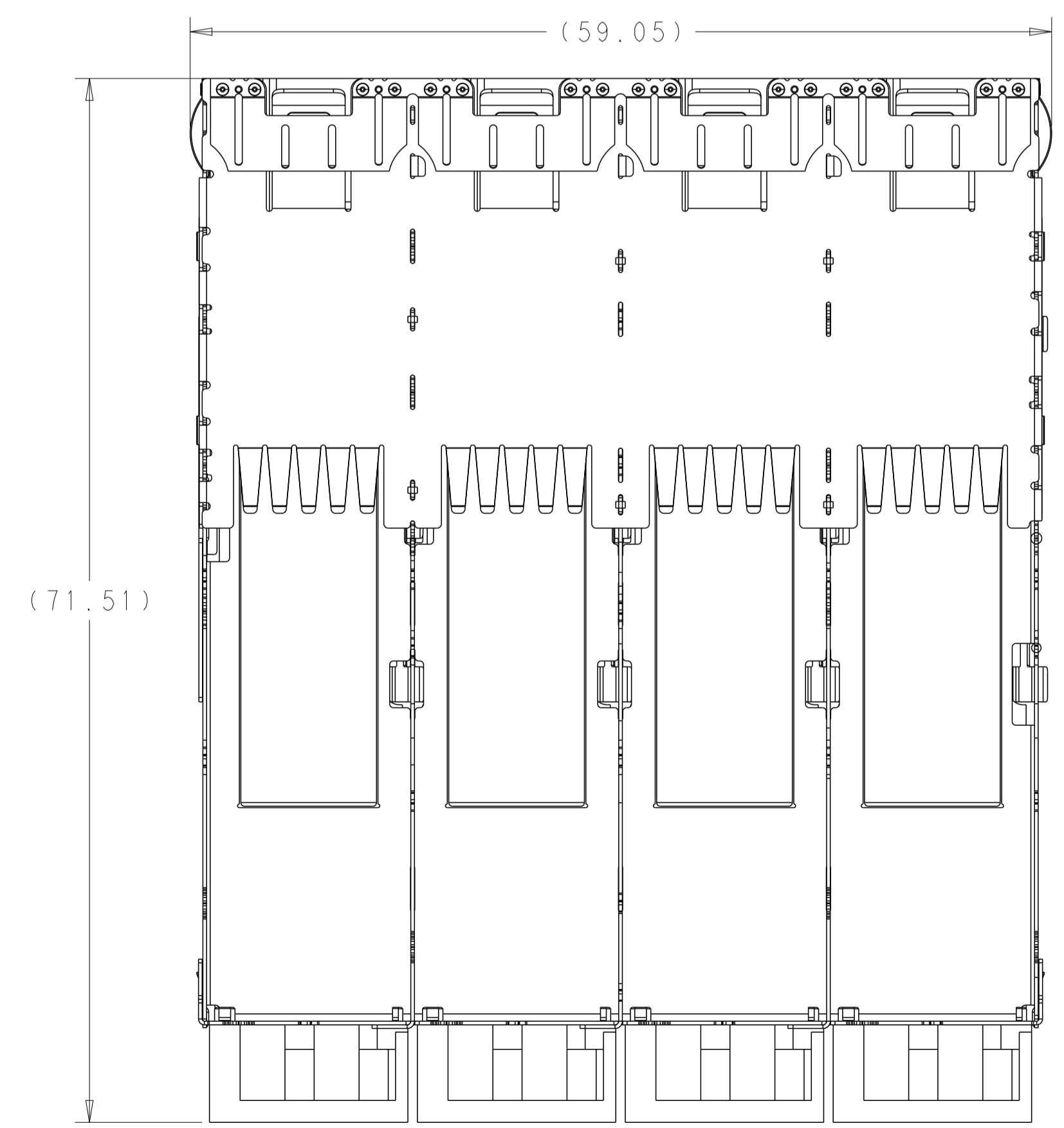
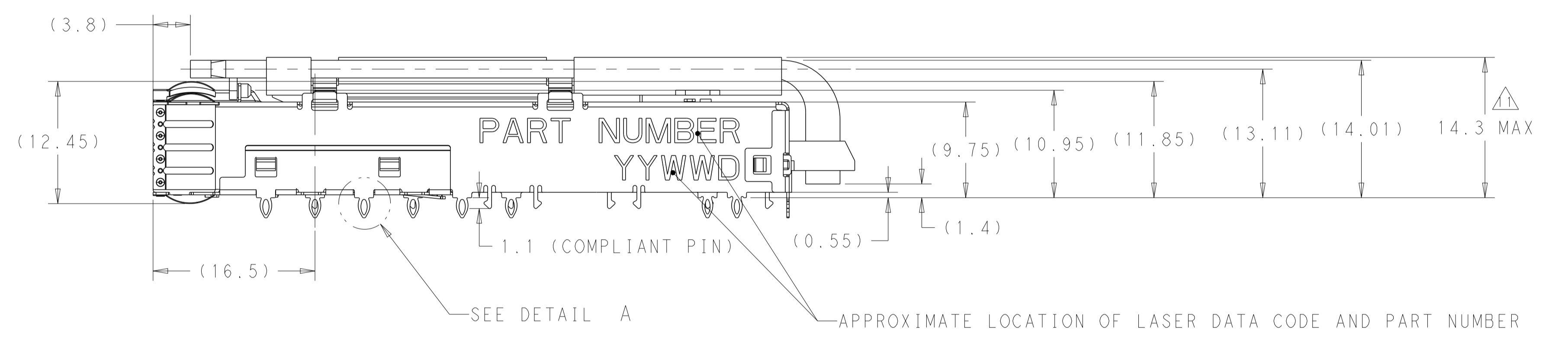
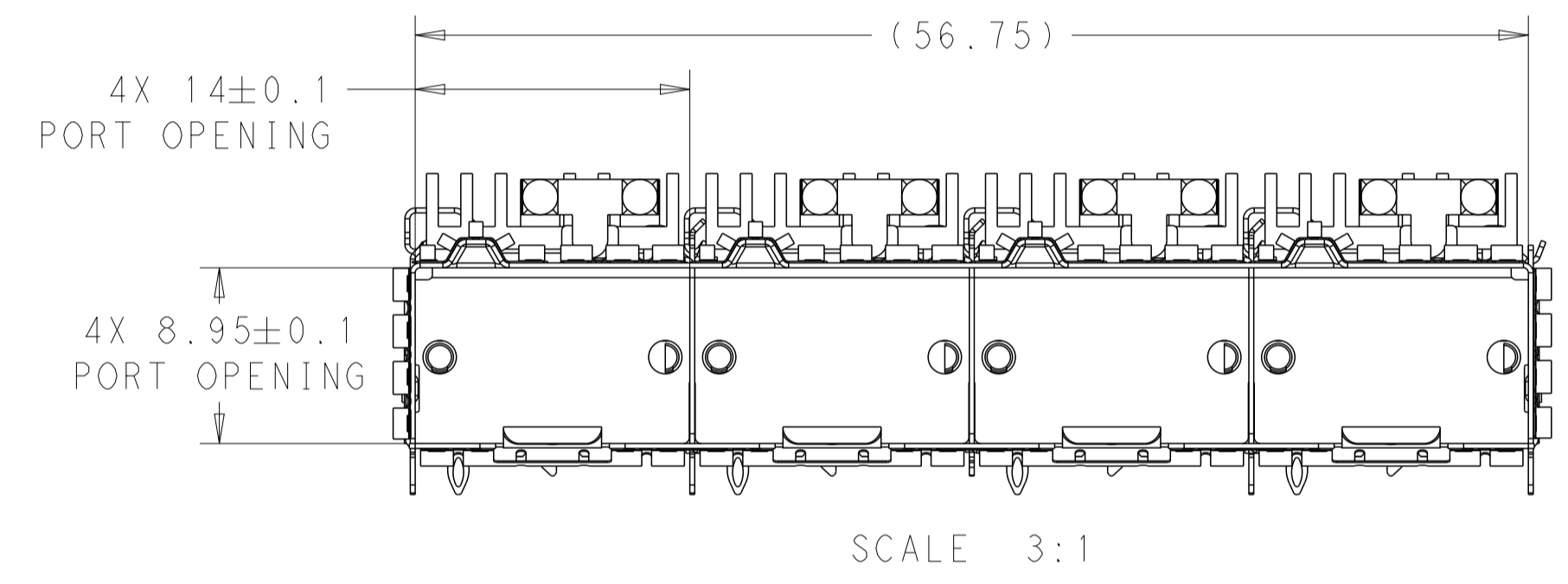


LOC		DIST		REVISIONS			
P	LTN	DESCRIPTION	DATE	DMN	APVD		
A		PRODUCTION RELEASE	16 JAN 2021	VL	SZH		
A1		ADDED NEW DASH-4 WITH PIN HEAT SINK	20 DEC 2021	AJ	SZ		
A2		"PART NUMBER" TEXT ADDED TO THE CAGE	09 NOV 2022	KH	SZ		



2356208-1
 FINISHED ASSEMBLY
 SCALE 3:1

- CAGE: 0.25mm THICK STAINLESS STEEL
 EMI SPRINGS: COPPER ALLOY
 HEAT SINK: ALUMINUM
 HEAT SINK CLIP: STAINLESS STEEL
 LIGHT PIPE: CLEAR POLYCARBONATE
 - FINISH:
 SPRINGS: 0.8um NICKEL. NON-PLATED EDGES PERMISSIBLE.
 HEAT SINK: SEE TABLE
 - MATES WITH SFP-DD MSA COMPLIANT TRANSCEIVERS.
 - INTERPRETATION OF DATUM REFERENCE FRAME IN ACCORDANCE WITH SECT 4.4.1.1 OF ASME Y14.5M-1994.
 - MINIMUM PC BOARD THICKNESS:
 SINGLE SIDED = 1.57mm
 DOUBLE SIDED = 2.20mm
- △ DATUM AND BASIC DIMENSION ESTABLISHED BY CUSTOMER.
 △ REFERENCE APPLICATION SPEC. 114-60027, HOLE A, FOR RECOMMENDED DRILL HOLE DIAMETER AND PLATING THICKNESS.
 △ REFERENCE APPLICATION SPEC. 114-60027, HOLE B, FOR RECOMMENDED DRILL HOLE DIAMETER AND PLATING THICKNESS.
 △ HOLE PATTERN REPEATS FOR EACH PORT. SPACING BETWEEN PORTS IS 14.25mm.
 △ DATUM **-A-** IS TOP SURFACE OF THE HOST BOARD.
 △ HEAT SINK HEIGHT IS APPLIED AFTER MODULE INSERTED.



PIN	WITH	BLACK ANODIZATION	2356208-4
BLADE	WITHOUT	NICKLE PLATING	1-2356208-1
BLADE	WITH	BLACK ANODIZATION	2356208-3
BLADE	WITH	BLACK ANODIZATION	2356208-2
BLADE	WITH	NICKLE PLATING	2356208-1
HEAT SINK TYPE	LP	HEAT SINK FINISH	PART NUMBER

THIS DRAWING IS A CONTROLLED DOCUMENT. DMN: VINDY LIU 08MAY2019
 CHK: SEAN HAN 08MAY2019
 APVD: SEAN HAN 08MAY2019

STE TE Connectivity

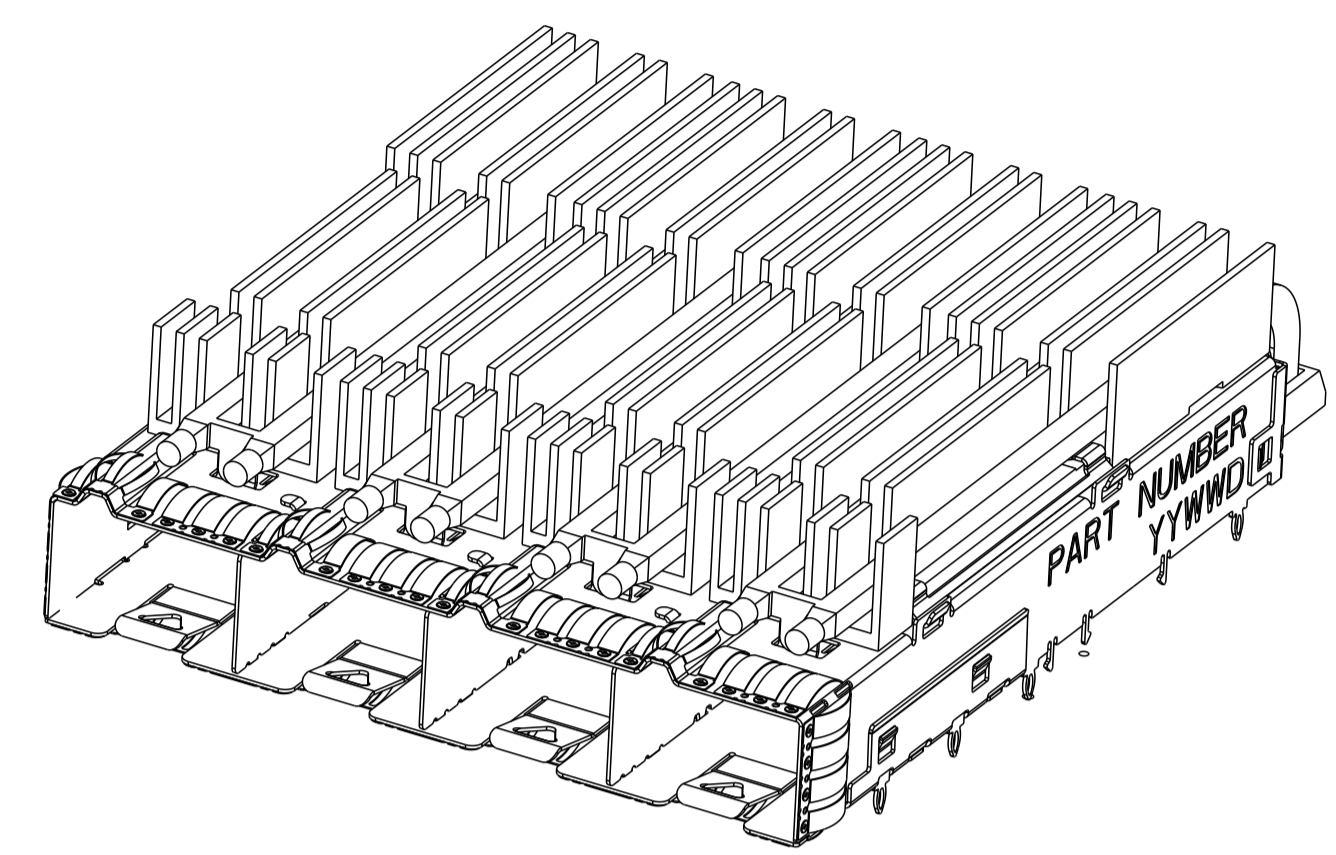
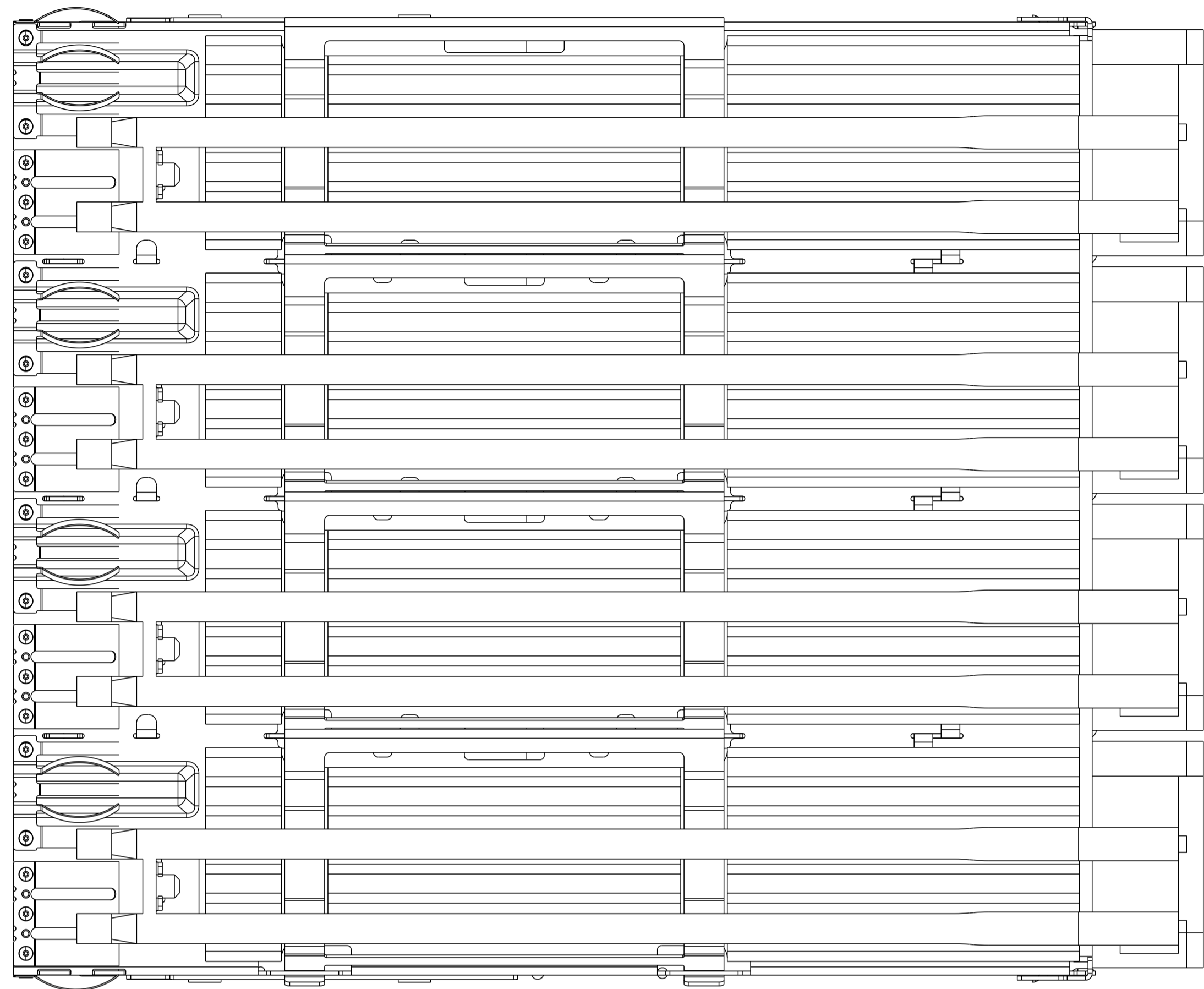
NAME: SFPDD 1X4 CAGE ASSEMBLY W/LP HS PRESS-FIT, EXTERNAL EMI SPRINGS

PRODUCT SPEC: 108-60128
 APPLICATION SPEC: 114-60027

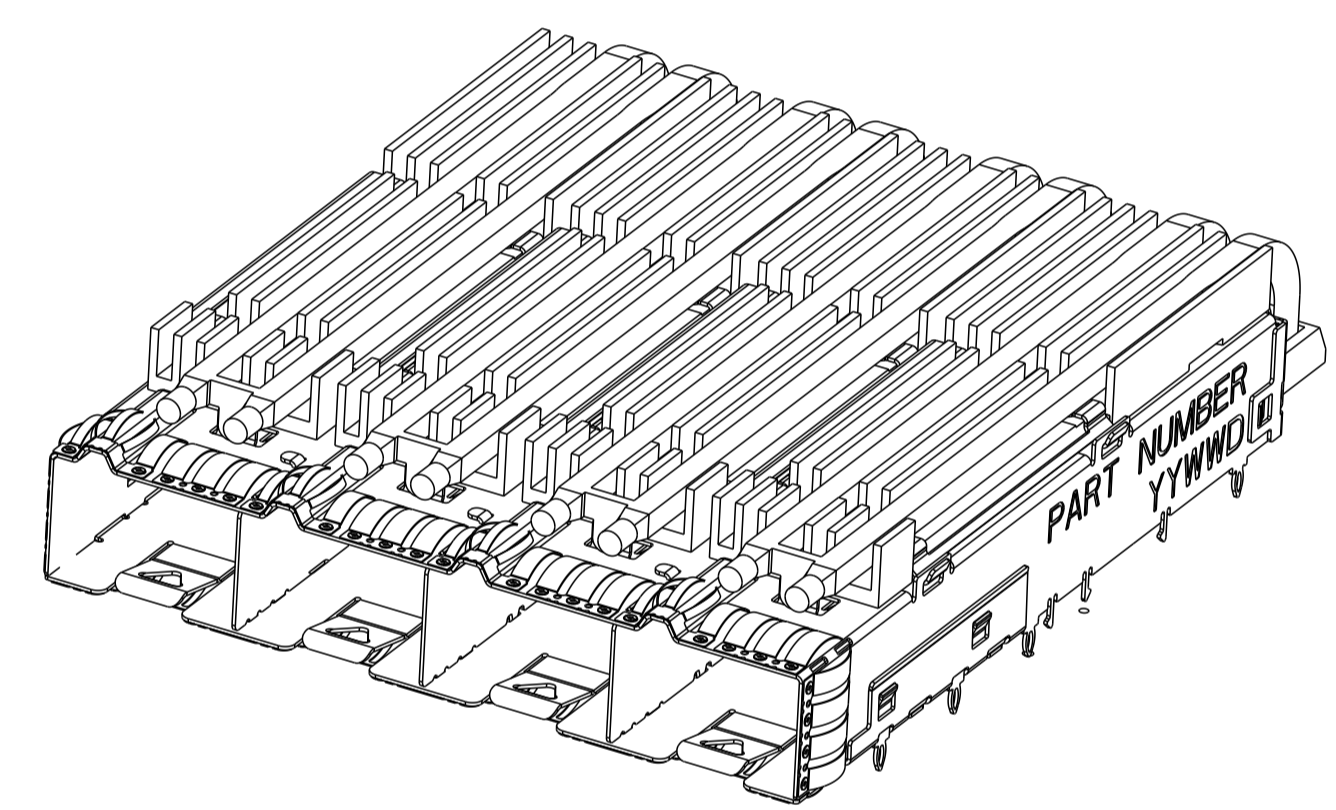
SIZE: A1 CAGE CODE: 00779 DRAWING NO: 2356208 RESTRICTED TO: -
 WEIGHT: -
 MATERIAL: -
 FINISH: -

CUSTOMER DRAWING SCALE: 1:1 SHEET 1 OF 6 REV: A2

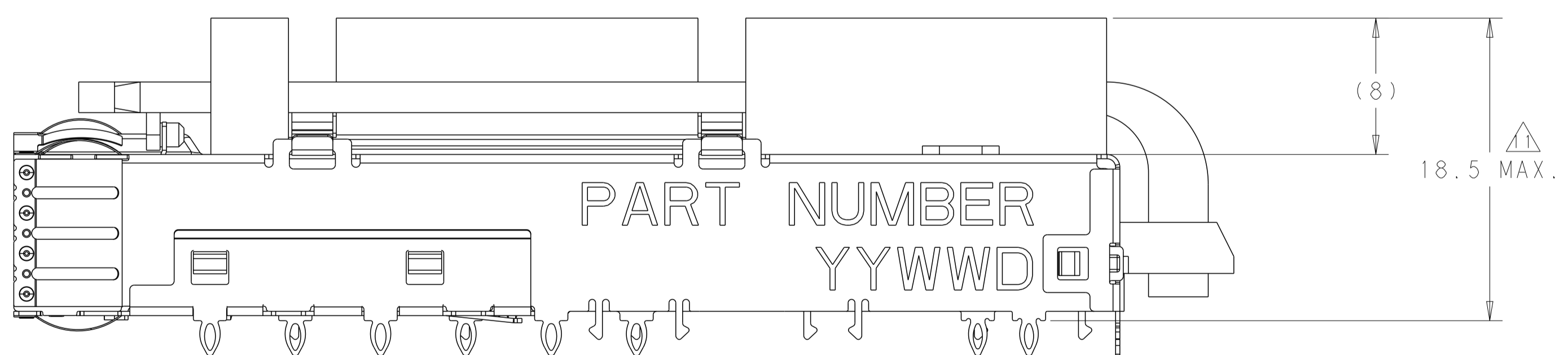
LOC		DIST		REVISIONS			
P	LYR	DESCRIPTION	DATE	OWN	APVD		
-	-	SEE SHEET 1	-	-	-		



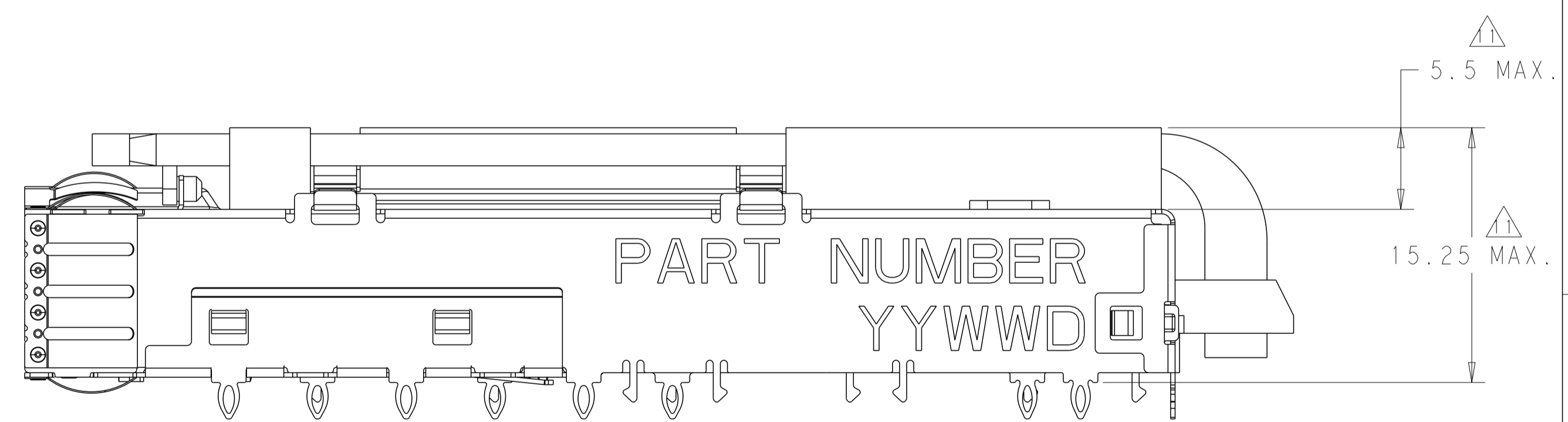
2356208-2 AS SHOWN
SCALE 2:1



2356208-3 AS SHOWN
SCALE 2:1



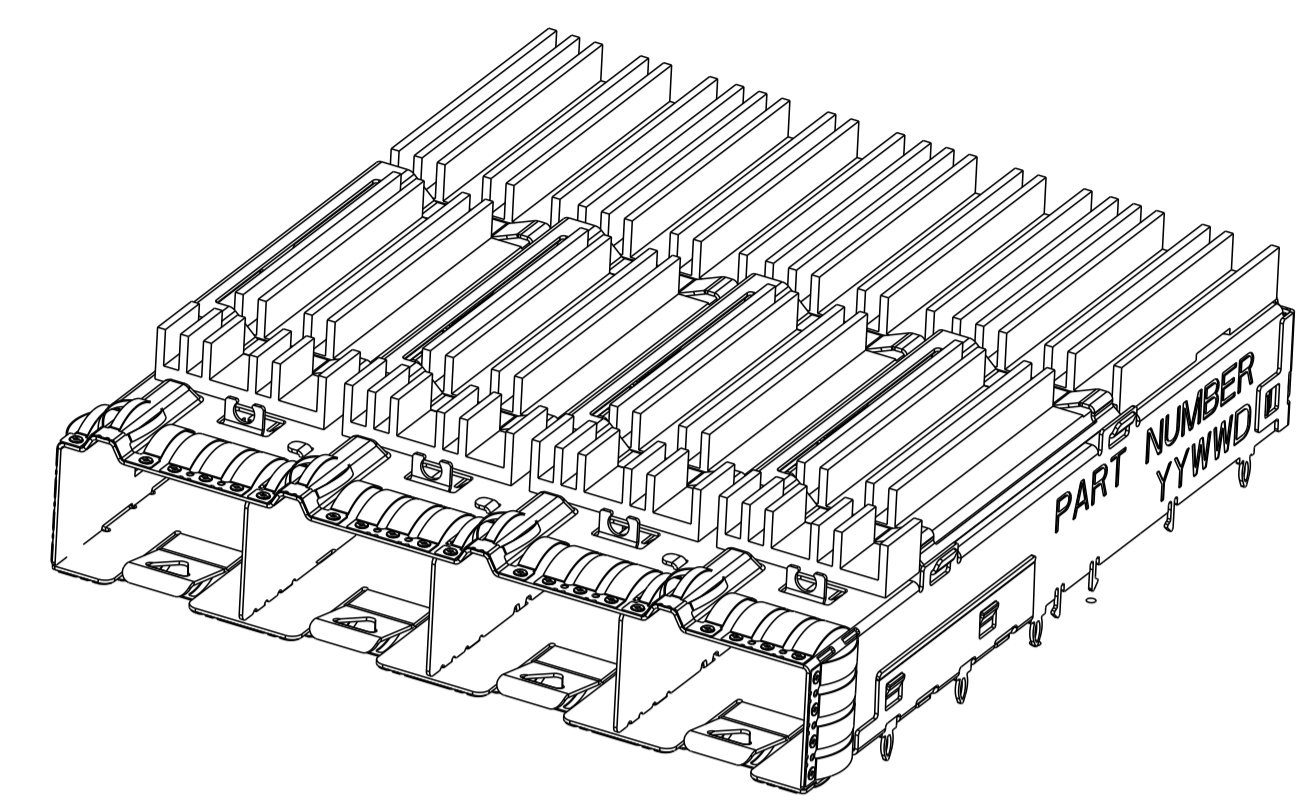
2356208-2 AS SHOWN
UNSPECIFIED DIMENSION SAME AS -1
SCALE 4:1



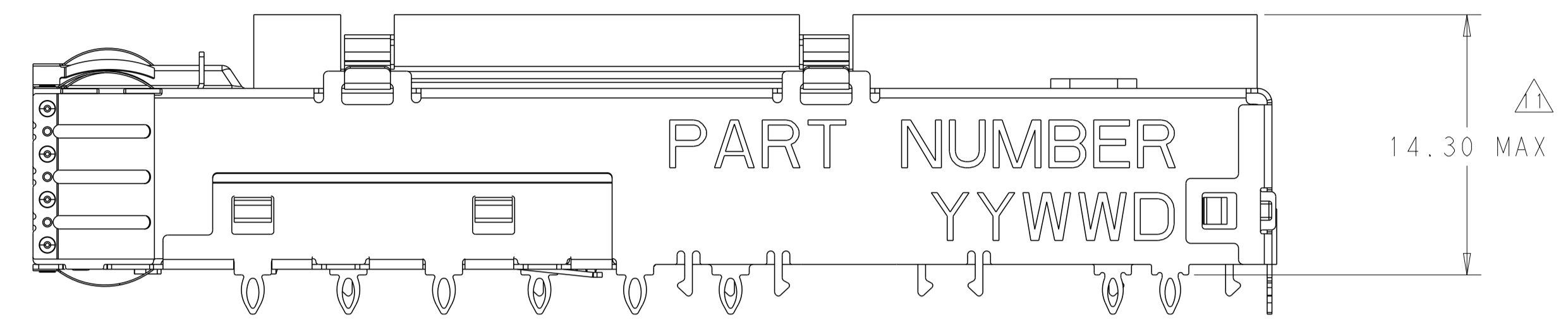
2356208-3 AS SHOWN
UNSPECIFIED DIMENSION SAME AS -1
SCALE 4:1

THIS DRAWING IS A CONTROLLED DOCUMENT.		OWN VINDY LIU 08MAY2019	
DIMENSIONS:		CHK SEAN HAN 08MAY2019	
mm	TOLERANCES UNLESS OTHERWISE SPECIFIED:	APVD	NAME
0 PLC	±0.25	PRODUCT SPEC	SFPDD 1X4 CAGE ASSEMBLY W/LP HS
1 PLC	±0.25	APPLICATION SPEC	108-60128
2 PLC	±0.20	SIZE	114-60027
3 PLC	±0.20	WEIGHT	A100779C=2356208
4 PLC	±0.20	CUSTOMER DRAWING	SCALE 1:1 SHEET 2 OF 6 REV A2
ANGLES	±		
MATERIAL	FINISH		

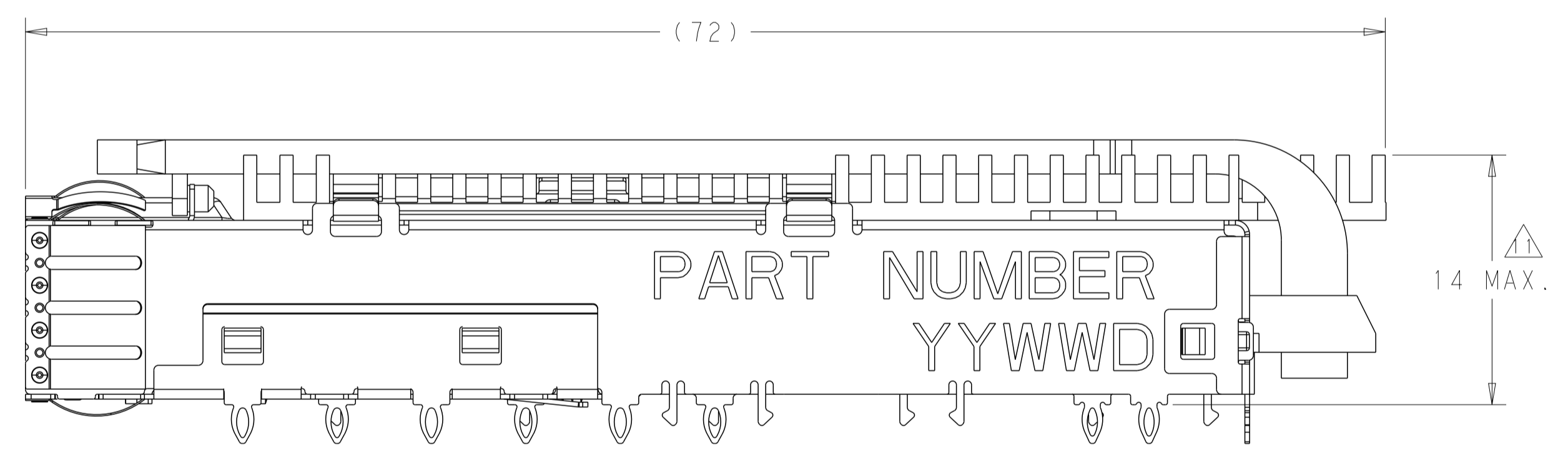
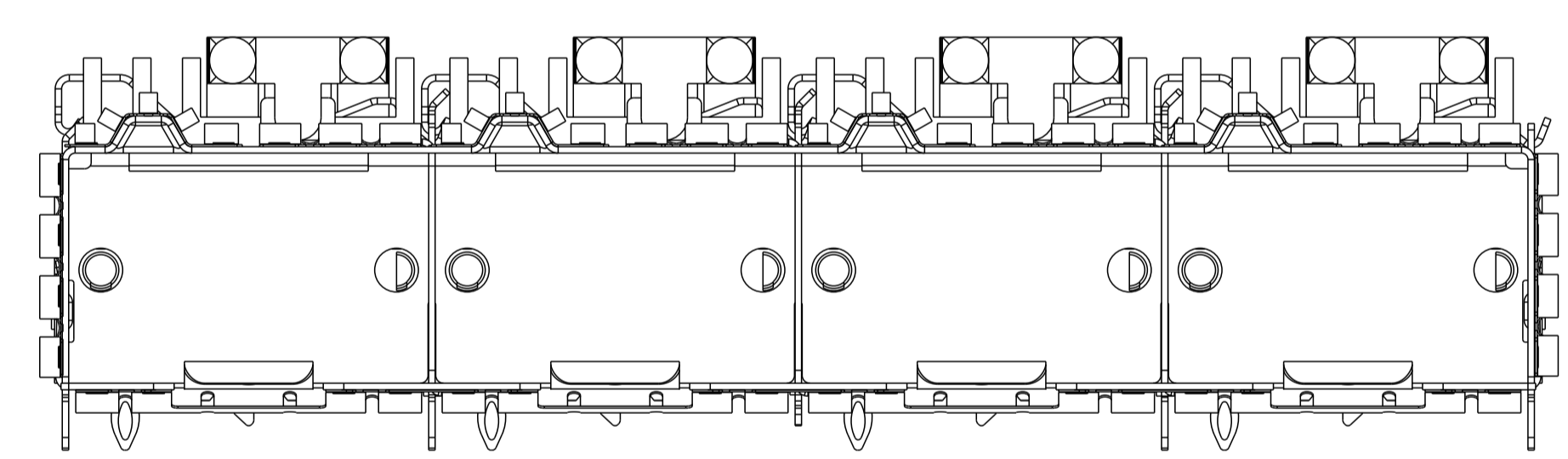
LOC	DIST	REVISIONS					
GP	00	P	LYR	DESCRIPTION	DATE	OWN	APVD
-	-	-	-	SEE SHEET 1	-	-	-



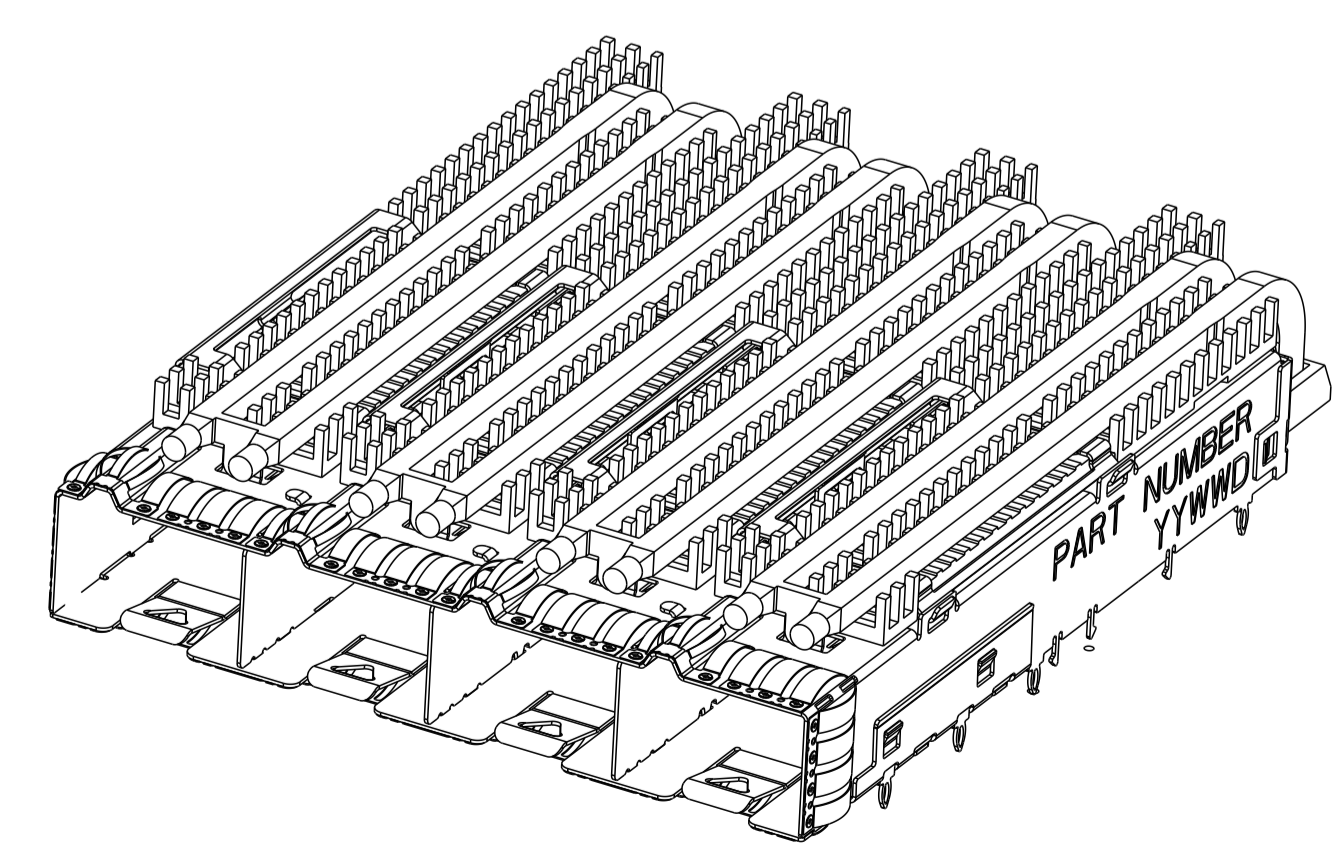
1-2356208-1
SCALE 2:1



1-2356208-1 IS SAME AS 2356208-1 EXCEPT WITHOUT LP
SCALE 4:1



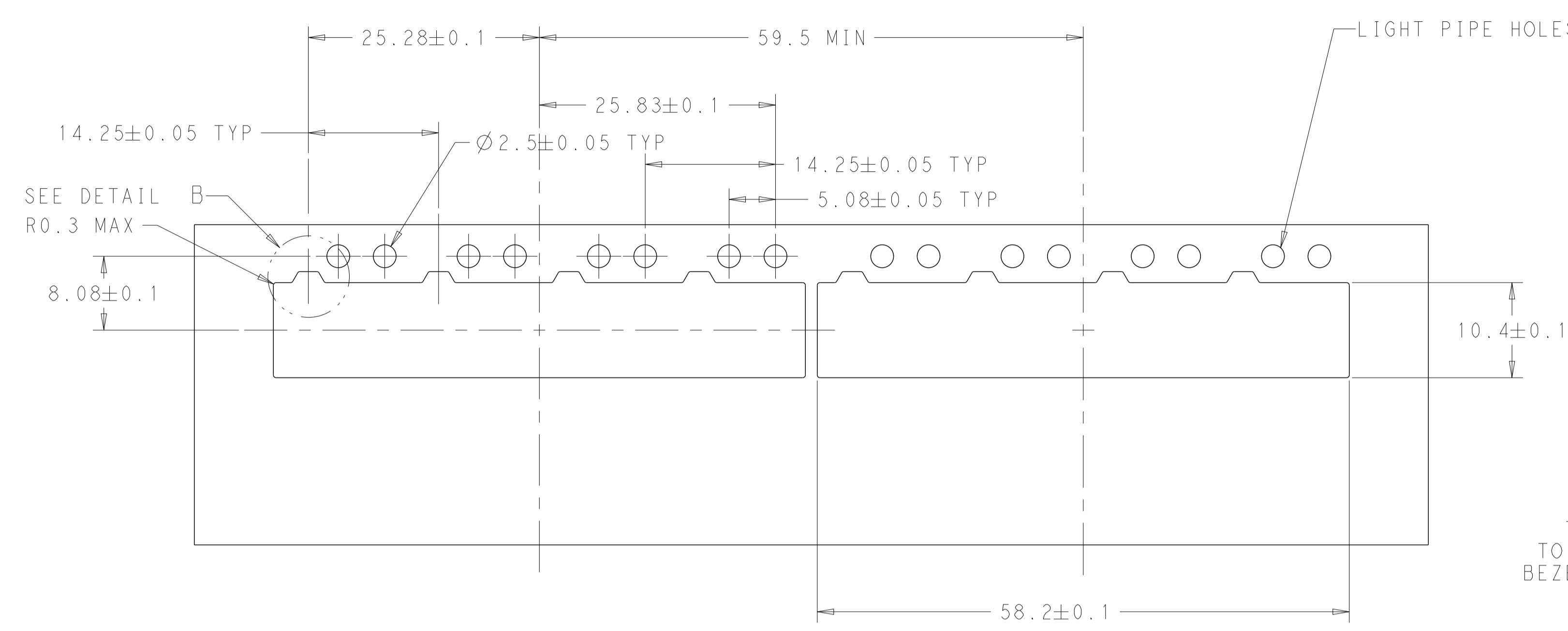
2356208-4 AS SHOWN WITH PIN HEAT SINK
UNSPECIFIED DIMENSIONS ARE SAME AS -1
SCALE 4:1



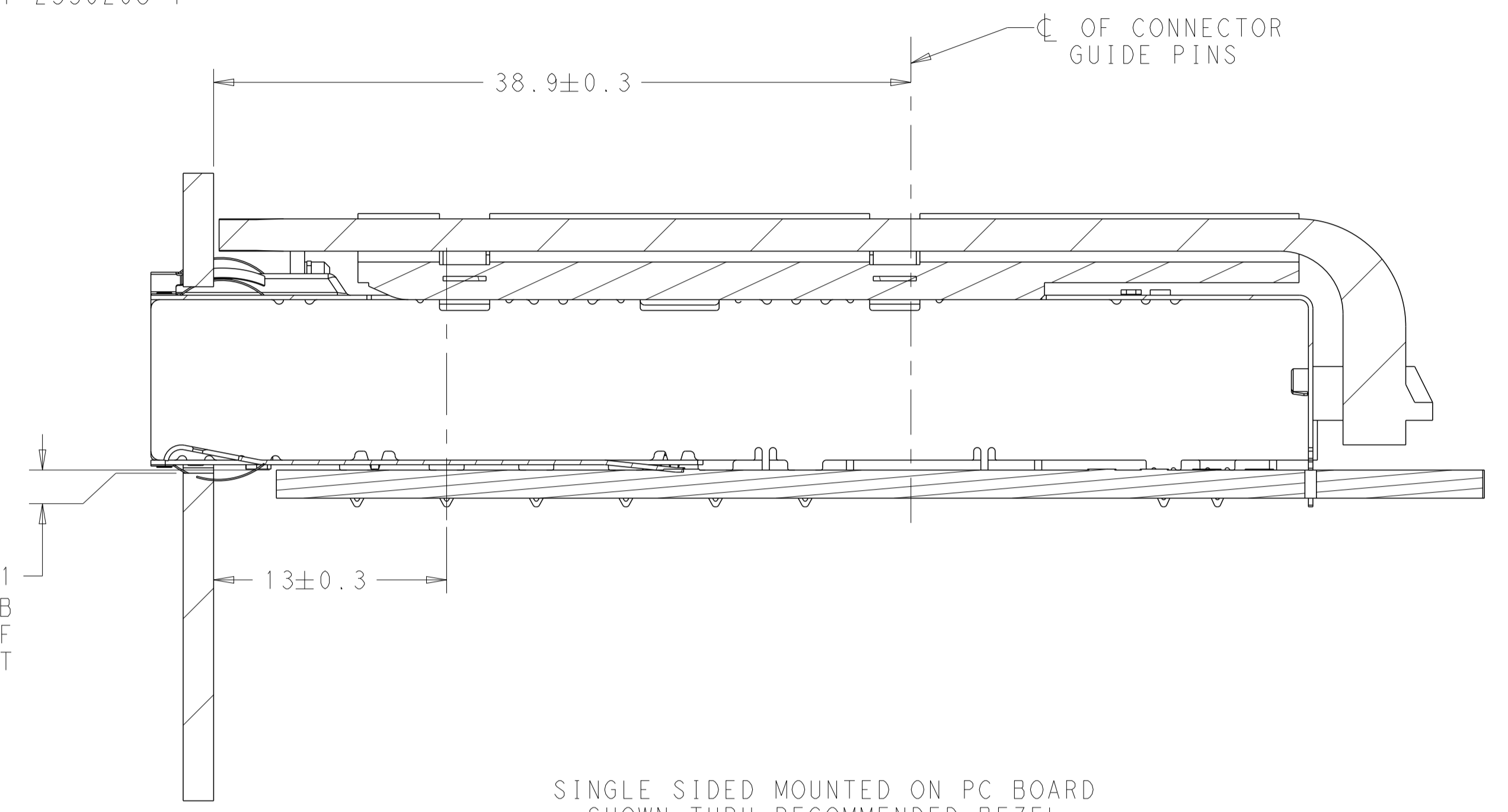
2356208-4
SCALE 2:1

THIS DRAWING IS A CONTROLLED DOCUMENT.		OWN: VINDY LIU 08MAY2019	TE Connectivity
		CHK: SEAN HAN 08MAY2019	
DIMENSIONS:		APVD:	NAME:
mm	0 PLC ±0.25 1 PLC ±0.25 2 PLC ±0.20 3 PLC ±0.20 4 PLC ±0.20	PRODUCT SPEC: 108-60128	SFPDD 1X4 CAGE ASSEMBLY W/LP HS PRESS-FIT, EXTERNAL EMI SPRINGS
		APPLICATION SPEC: 114-60027	RESTRICTED TO:
MATERIAL:		WEIGHT:	SIZE: A1
FINISH:		CUSTOMER DRAWING	CAGE CODE: 100779
		SCALE: 1:1	DRAWING NO: C=2356208
		SHEET: 3 OF 6	REV: A2

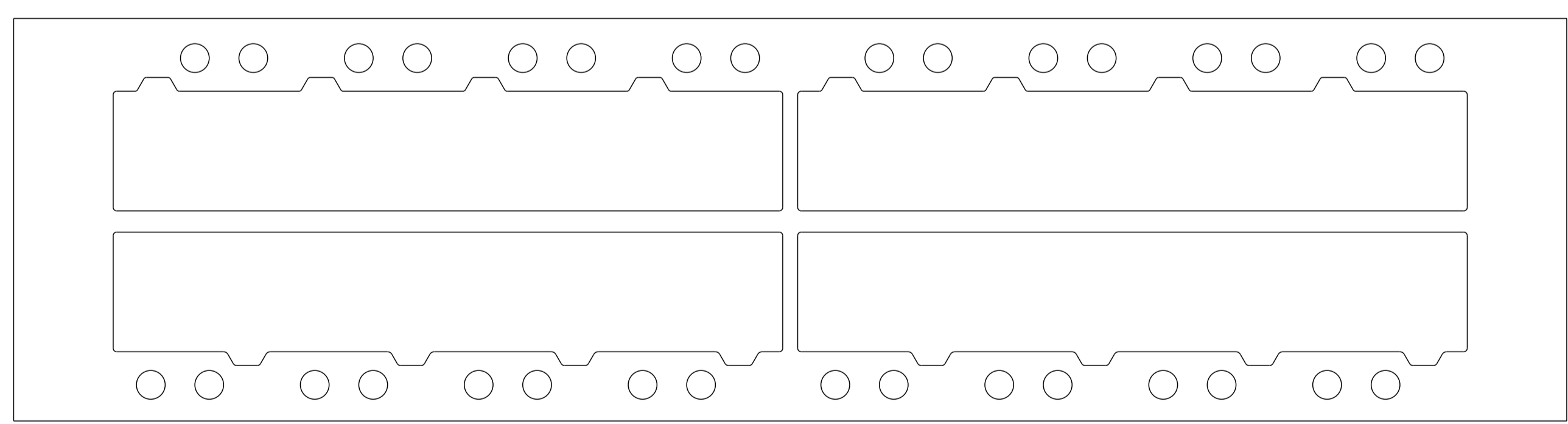
LOC	DIST	REVISIONS					
GP	00	P	LTN	DESCRIPTION	DATE	DMN	APVD
-	-	-	-	SEE SHEET 1	-	-	-



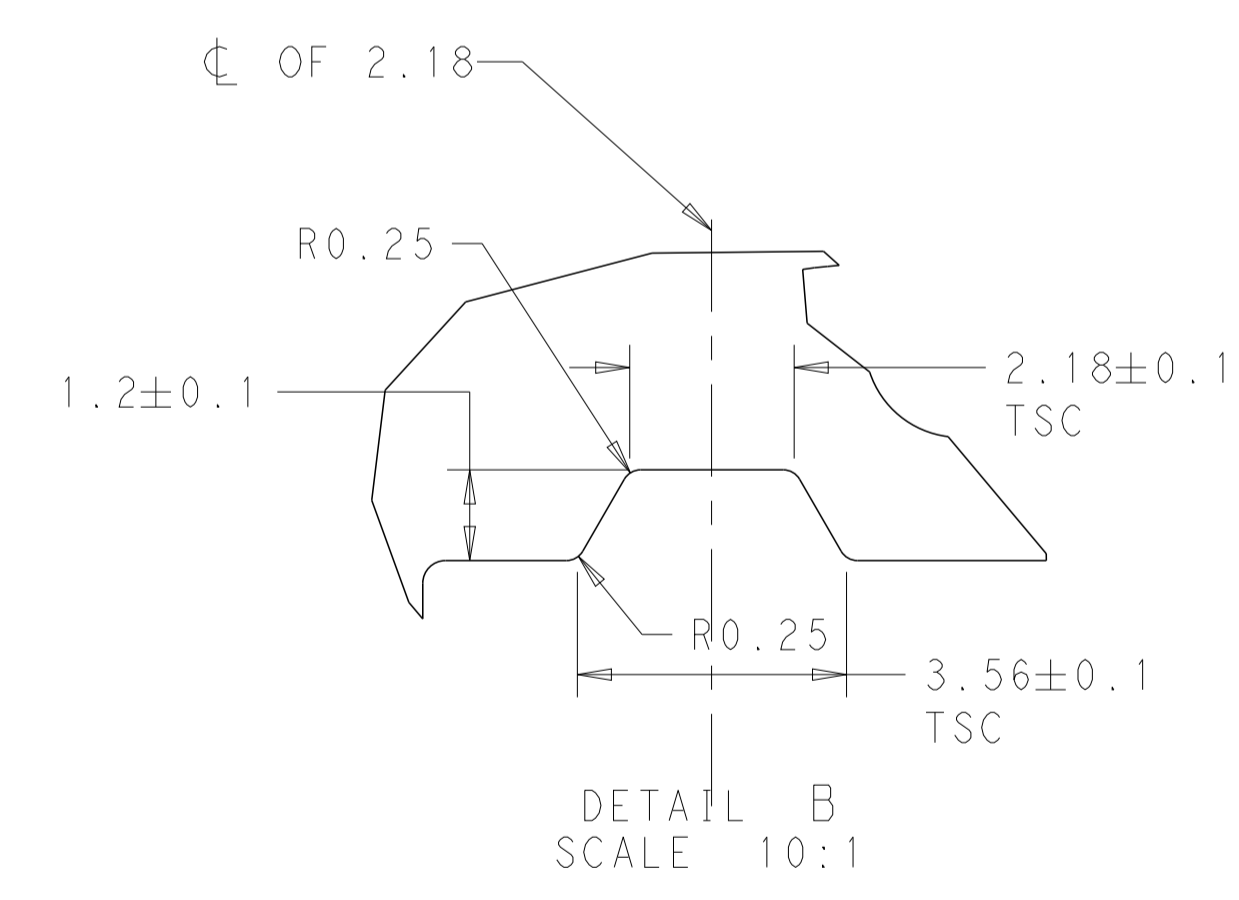
RECOMMENDED BEZEL CUT-OUT
SINGLE SIDED APPLICATIONS
SCALE 5:2



SINGLE SIDED MOUNTED ON PC BOARD
SHOWN THRU RECOMMENDED BEZEL
SECTION BEZEL-BEZEL
SCALE 4:1



RECOMMENDED BEZEL CUT-OUT
BELLY TO BELLY APPLICATIONS
SCALE 5:2

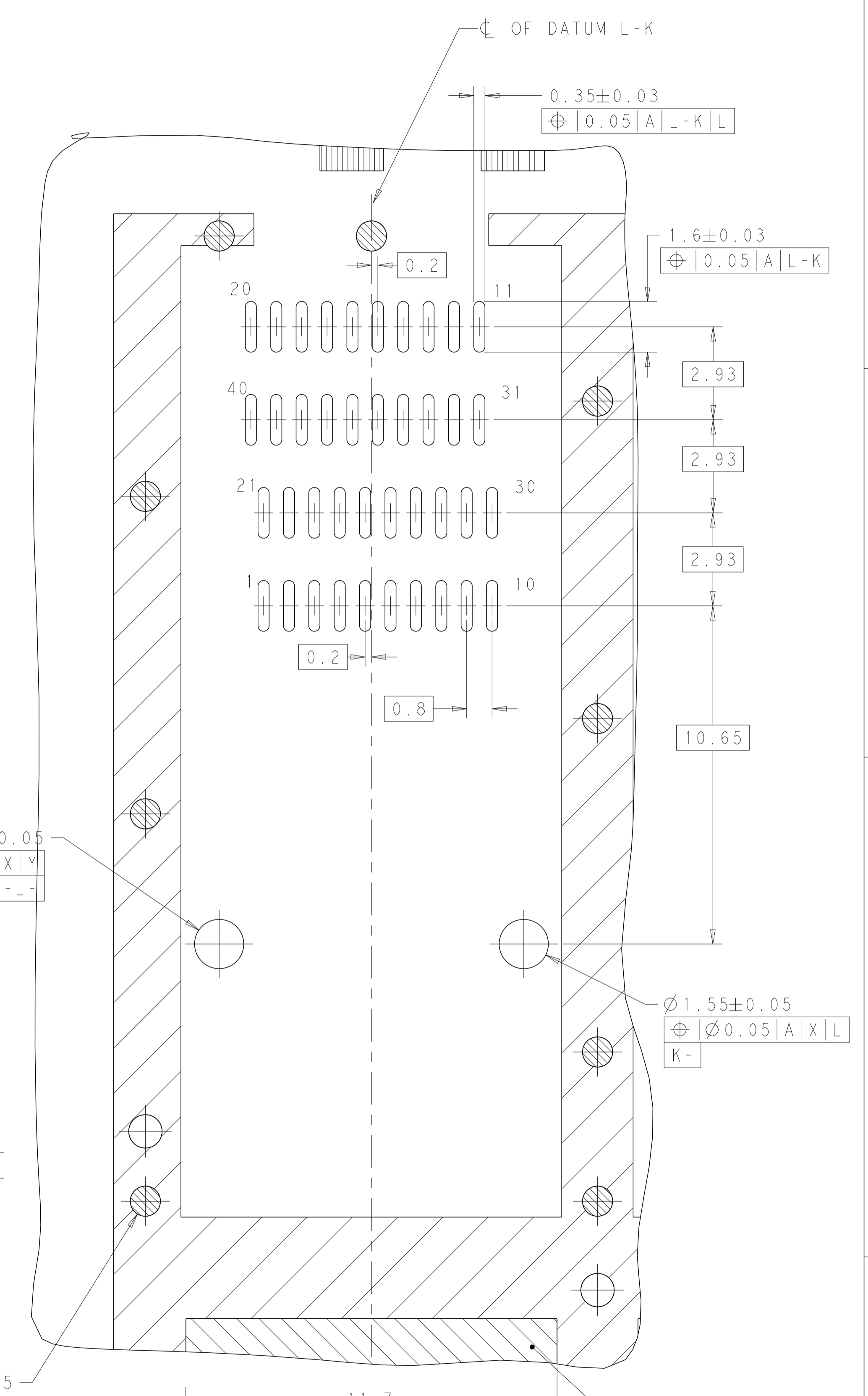
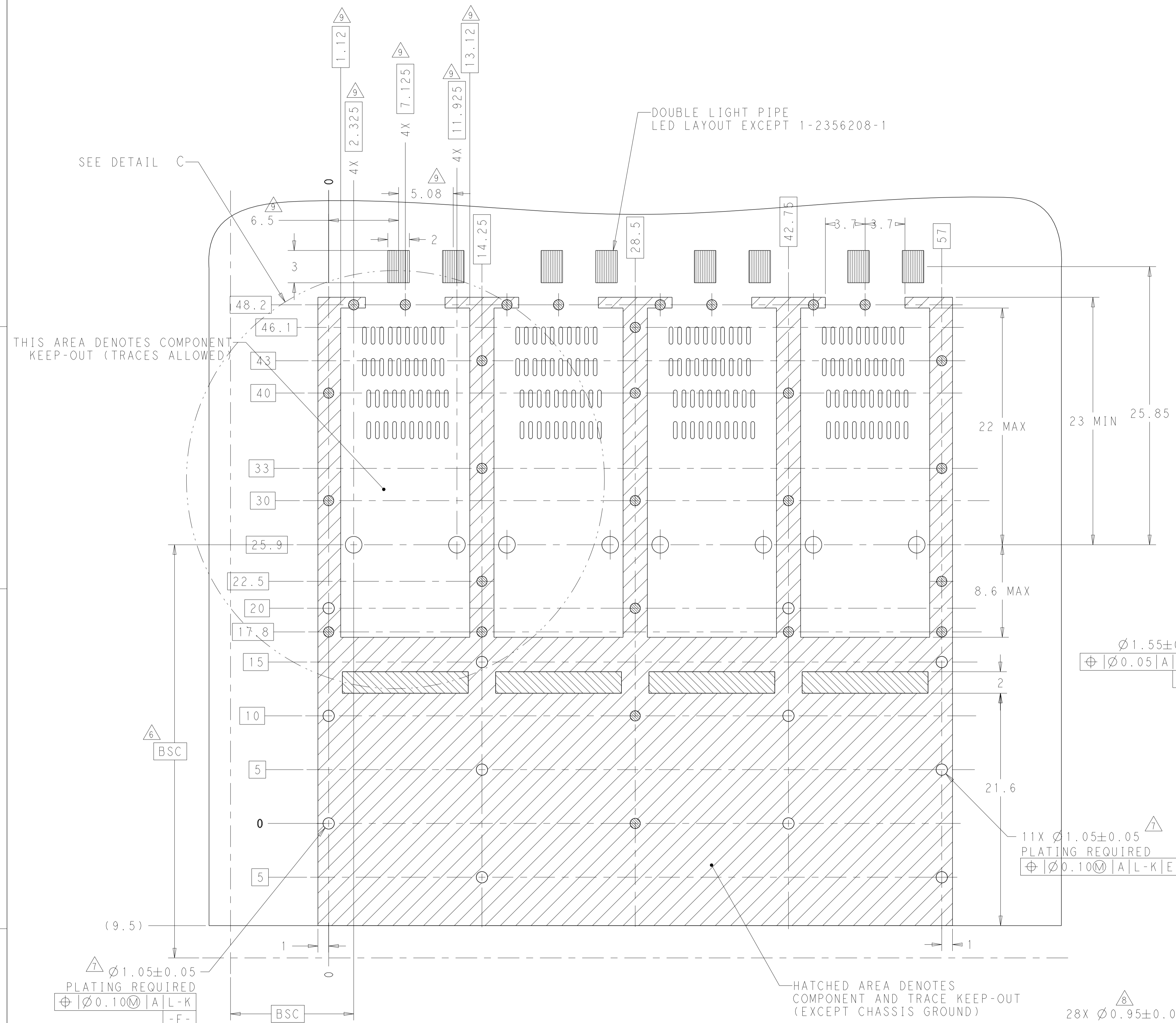


DETAIL B
SCALE 10:1

THIS DRAWING IS A CONTROLLED DOCUMENT.		DMN: VINDY LIU 08MAY2019	TE Connectivity
		CHK: SEAN HAN 08MAY2019	
DIMENSIONS: mm		APVD:	NAME: SFPDD 1X4 CAGE ASSEMBLY W/LP HS PRESS-FIT, EXTERNAL EMI SPRINGS
TOLERANCES UNLESS OTHERWISE SPECIFIED:		PRODUCT SPEC: 108-60128	SIZE: A1
0 PLC ±0.25		APPLICATION SPEC: 114-60027	CAGE CODE: 2356208
1 PLC ±0.25		WEIGHT: -	RESTRICTED TO: -
2 PLC ±0.20		CUSTOMER DRAWING	SCALE: 1:1
3 PLC ±0.20			SHEET 4 OF 6
4 PLC ±0.20			REV: A2
ANGLES: #			
FINISH: -			

LOC	DIST	REV	DATE	BY	APPV
GP	00				

REVISIONS		DATE	BY	APPV
1	SEE SHEET 1			



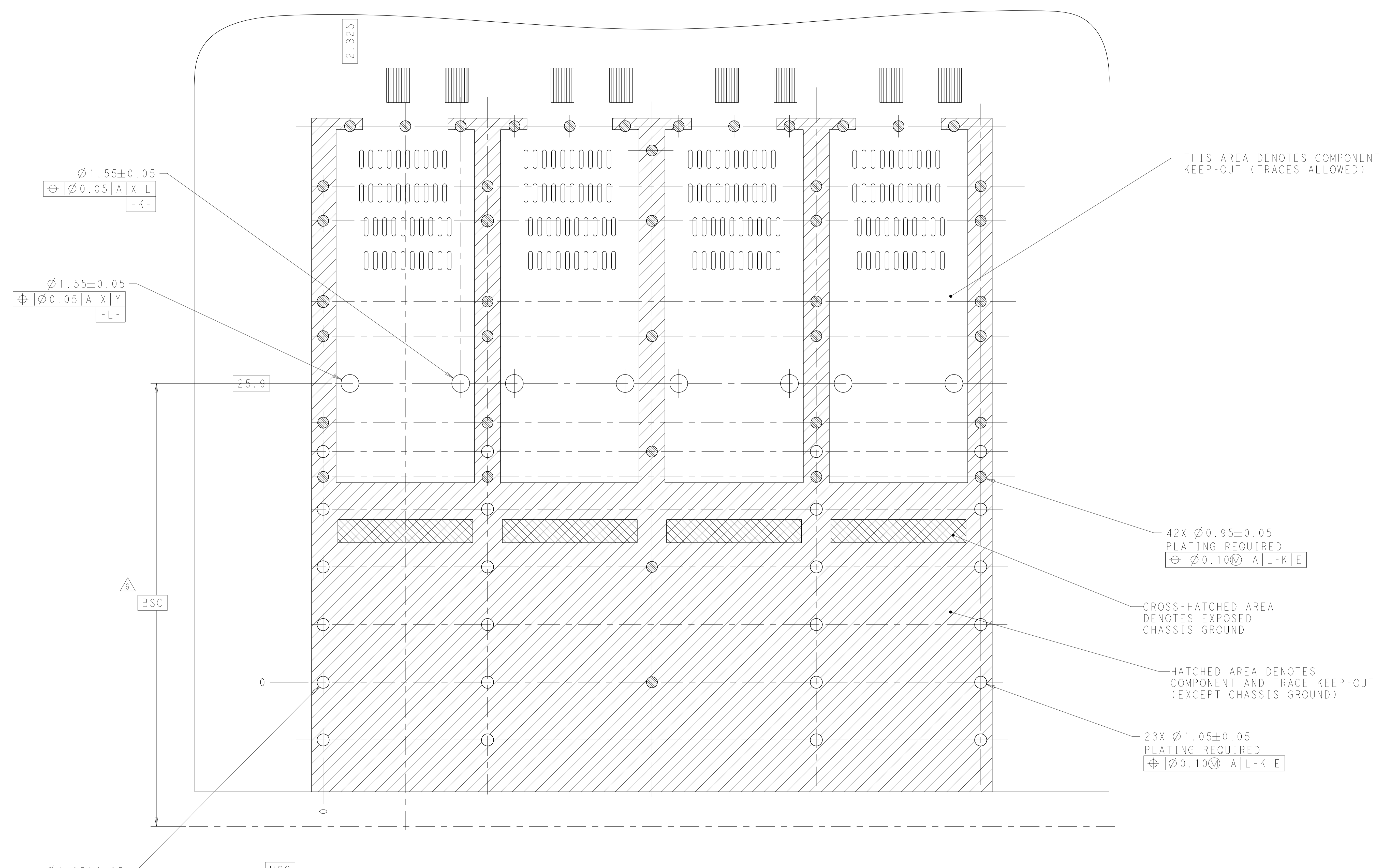
⚠ 7
 ⌀ 1.05±0.05
 PLATING REQUIRED
 ⊕ ⌀ 0.10M | A | L-K | E
 -E-

⚠ 7
 11X ⌀ 1.05±0.05
 PLATING REQUIRED
 ⊕ ⌀ 0.10M | A | L-K | E

⚠ 8
 28X ⌀ 0.95±0.05
 PLATING REQUIRED
 ⊕ ⌀ 0.10M | A | L-K | E

THIS DRAWING IS A CONTROLLED DOCUMENT.		OWN: VINDY LIU 08MAY2019	TE Connectivity
DIMENSIONS: mm		CHK: SEAN HAN 08MAY2019	
TOLERANCES UNLESS OTHERWISE SPECIFIED:		APVD:	NAME: SFPDD 1X4 CAGE ASSEMBLY W/LP HS PRESS-FIT, EXTERNAL EMI SPRINGS
0 PLC	±0.25	PRODUCT SPEC	108-60128
1 PLC	±0.25	APPLICATION SPEC	114-60027
2 PLC	±0.20	WEIGHT	A100779C=2356208
3 PLC	±0.20	CUSTOMER DRAWING	SCALE 1:1 SHEET 5 OF 6 REV A2
4 PLC	±0.20		
ANGLES	±		

LOC	DIST	REVISIONS					
		P	LTN	DESCRIPTION	DATE	DWN	APVD
GP	00	-	-	SEE SHEET 1	-	-	-



$\varnothing 1.55 \pm 0.05$
 $\oplus | \varnothing 0.05 | A | X | L$
 -K-

$\varnothing 1.55 \pm 0.05$
 $\oplus | \varnothing 0.05 | A | X | Y$
 -L-

$\varnothing 1.05 \pm 0.05$
 PLATING REQUIRED
 $\oplus | \varnothing 0.10 | A | L - K$
 -E-

THIS AREA DENOTES COMPONENT KEEP-OUT (TRACES ALLOWED)

42X $\varnothing 0.95 \pm 0.05$
 PLATING REQUIRED
 $\oplus | \varnothing 0.10 | A | L - K | E$

CROSS-HATCHED AREA DENOTES EXPOSED CHASSIS GROUND

HATCHED AREA DENOTES COMPONENT AND TRACE KEEP-OUT (EXCEPT CHASSIS GROUND)

23X $\varnothing 1.05 \pm 0.05$
 PLATING REQUIRED
 $\oplus | \varnothing 0.10 | A | L - K | E$

RECOMMENDED PCB CONFIGURATION WITH KEEP-OUTS FOR BELLY TO BELLY APPLICATIONS
 SAME AS SINGLE SIDE APPLICATION, EXCEPT AS SHOWN
 SCALE 6:1

THIS DRAWING IS A CONTROLLED DOCUMENT.		DWN: VINDY LIU 08MAY2019	TE Connectivity
		CHK: SEAN HAN 08MAY2019	
DIMENSIONS: mm		APVD:	NAME: SFPDD 1X4 CAGE ASSEMBLY W/LP HS PRESS-FIT, EXTERNAL EMI SPRINGS
0 PLC ± 0.25 1 PLC ± 0.25 2 PLC ± 0.20 3 PLC ± 0.20 4 PLC ± 0.20 ANGLES \pm FINISH		PRODUCT SPEC: 108-60128 APPLICATION SPEC: 114-60027 WEIGHT: - CUSTOMER DRAWING	SIZE: A1 CAGE CODE: 00779 DRAWING NO: C=2356208 RESTRICTED TO: - SCALE: 1:1 SHEET 6 OF 6 REV A2