

A

B

C

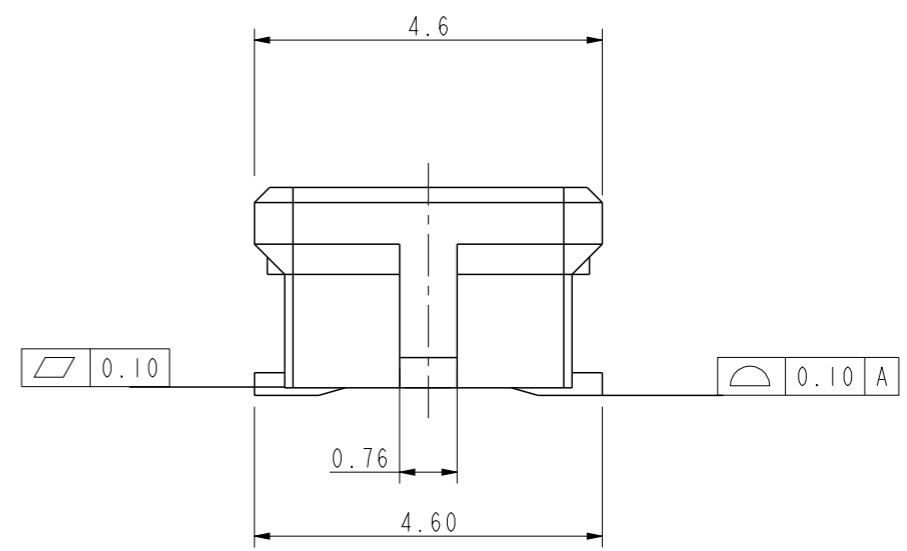
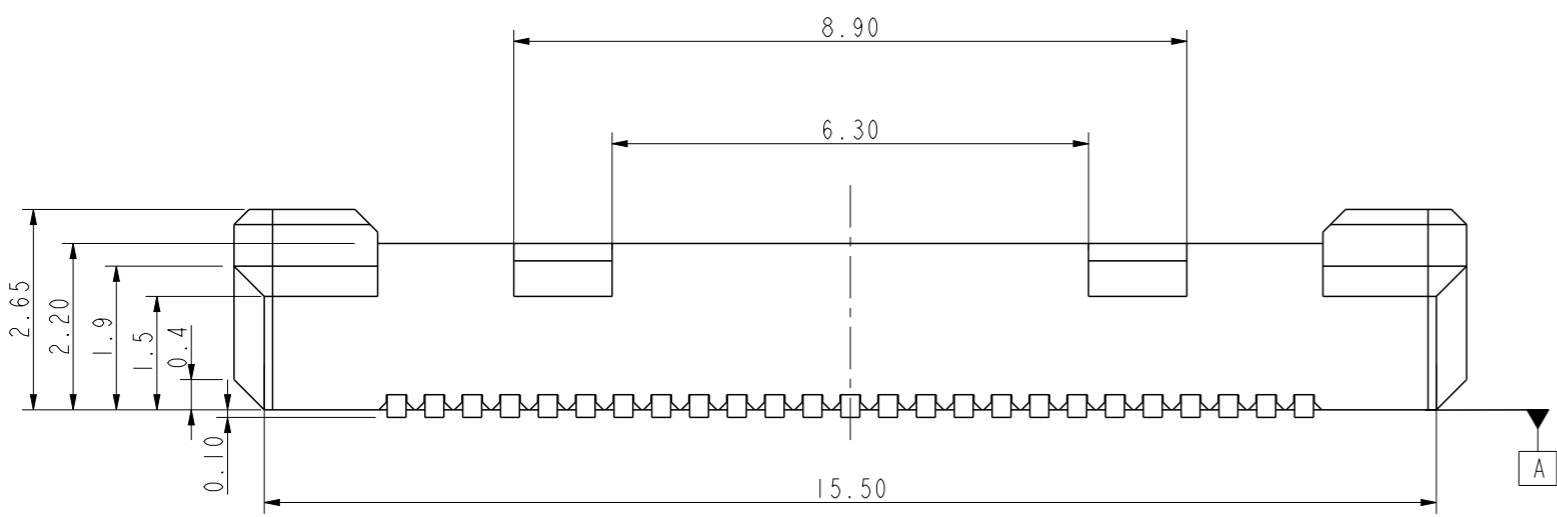
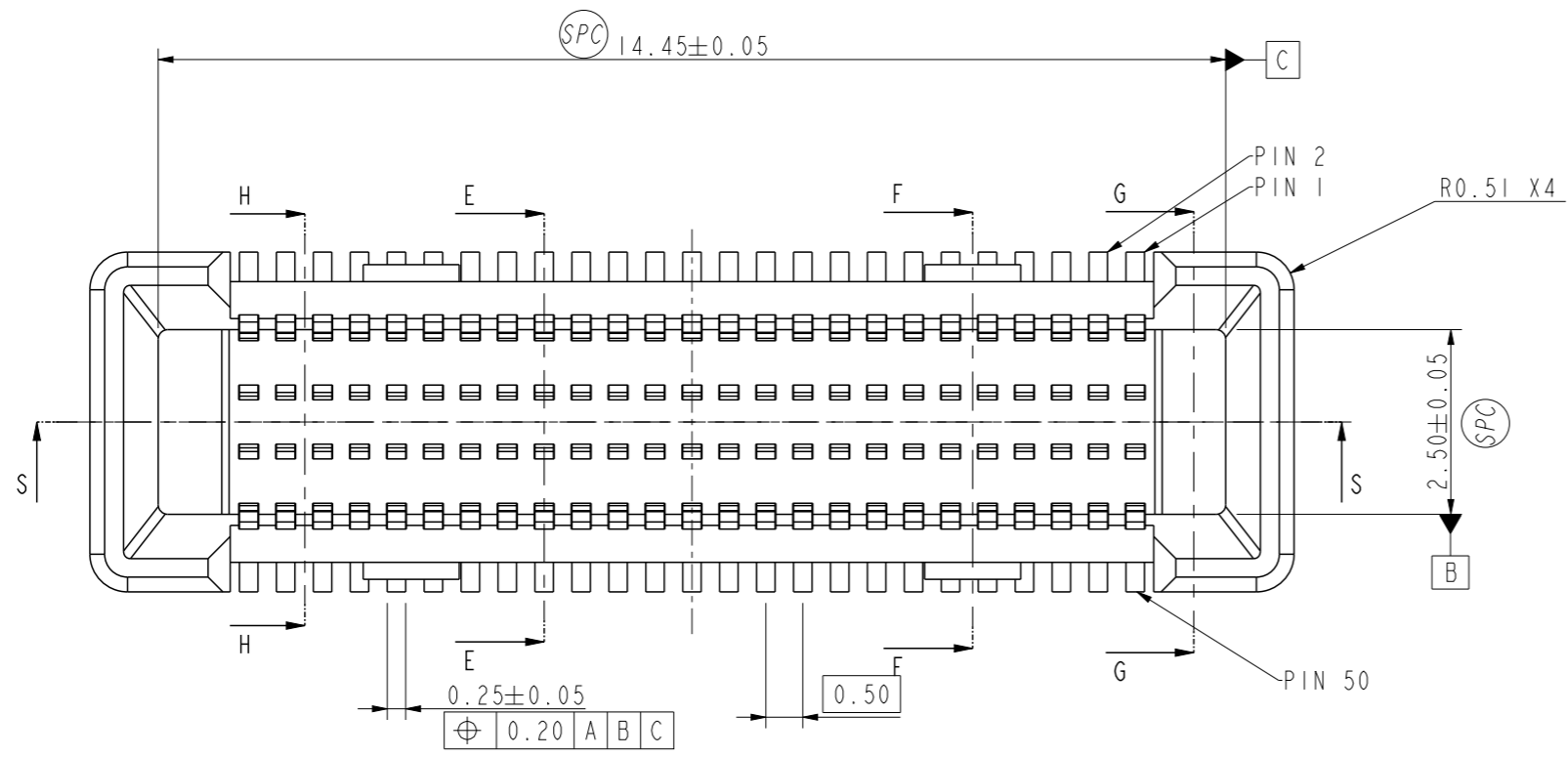
D

A

B

C

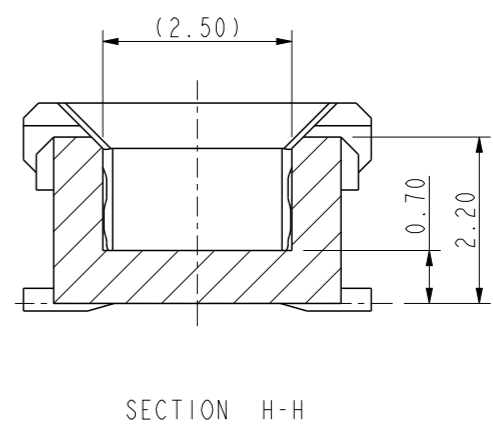
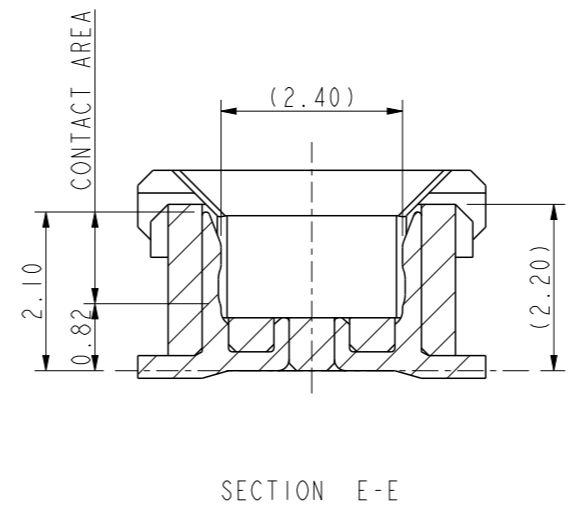
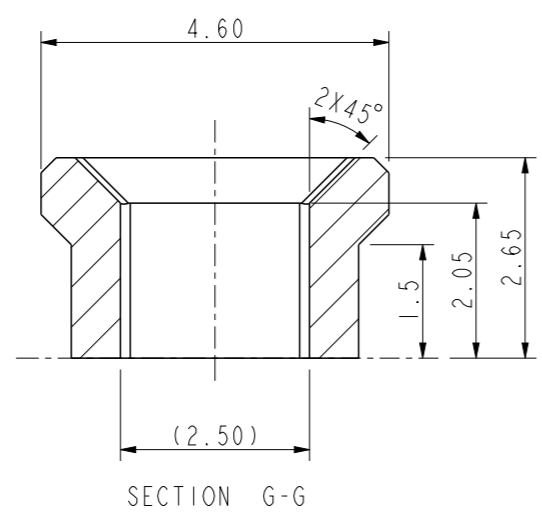
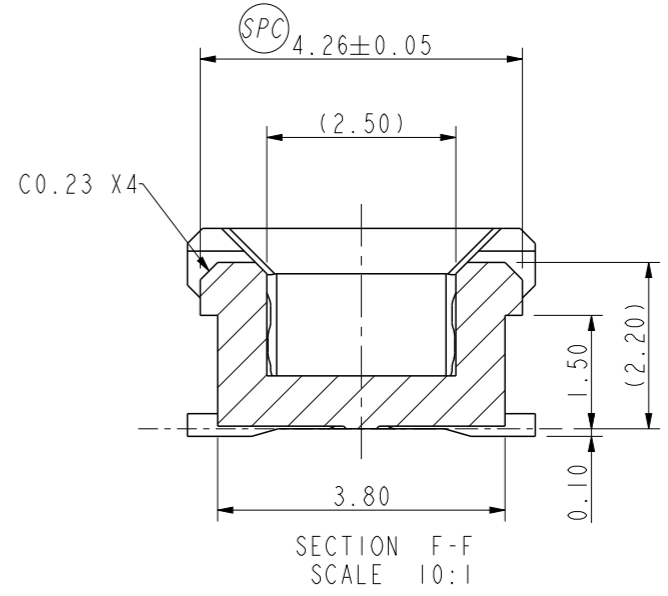
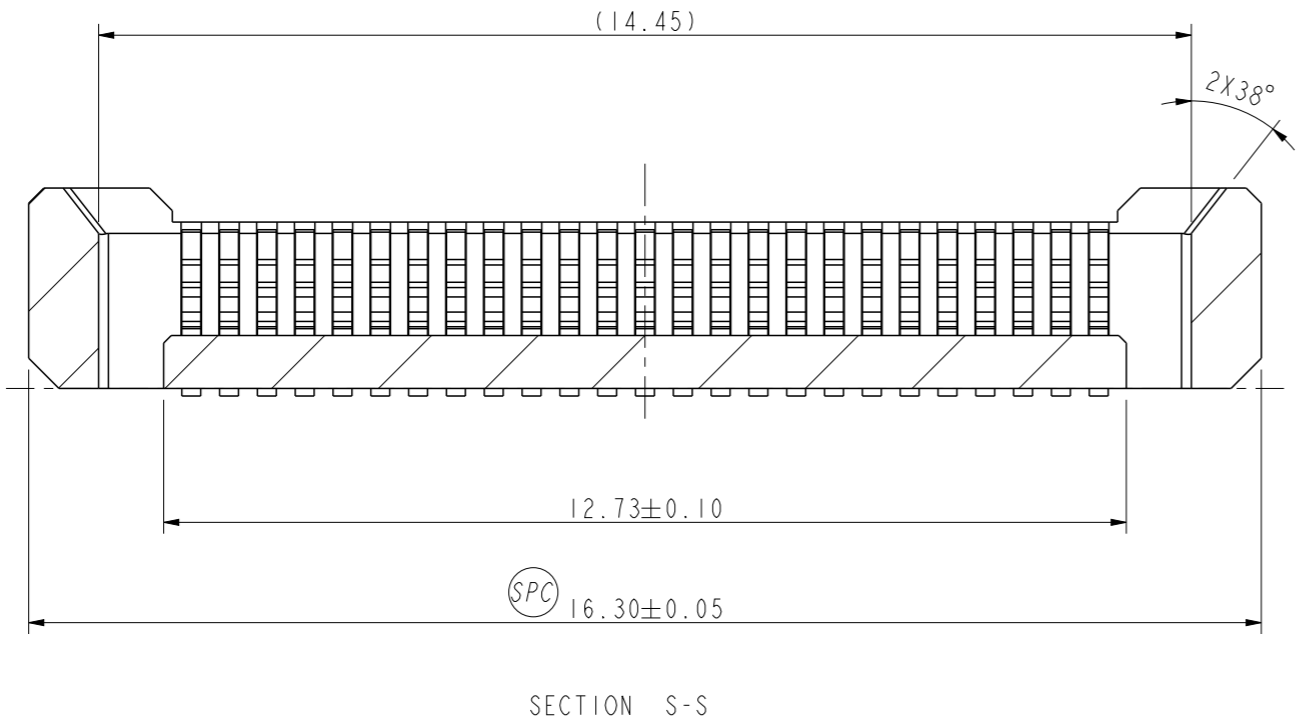
D



Amphenol
FCi

© 2016 AFCI

spec ref	-	dr	Yuan-Yuan Bao	2019/11/28	projection	MM	size	A3	scale	1:1	
tolerance std	ISO 406 ISO 1101	eng	Yuan-Yuan Bao	2020/02/25			ecn no	ELX-N-36091-1			
TOLERANCES UNLESS OTHERWISE SPECIFIED		chr	-	-			rel level	Released			
surface	linear	appr	Tim Yao	2020/03/04	product family		dwg no	10156000		rev	C
ISO 1302	angular				0.5PITCH BTBT CONN		Product - Customer Drw		sheet 1 of 3		



dr	Yuan-Yuan Bao	2019/11/28	projection	MM	size	A3	scale	10:1
eng	Yuan-Yuan Bao	2020/02/25			ecn no	ELX-N-36091-1		
chr	-	-	product family	← →	rel level	Released		
appr	Tim Yao	2020/03/04						
Amphenol FCI		title			0.5PITCH BTBT CONN		rev	
		REC			dwg no		10156000	
		cat. no.			Product - Customer Drw		sheet 2 of 3	

Amphenol FCI

© 2016 AFCI

NOTES:

- HOUSING MATERIAL: HIGH TEMP PLASTIC UL94 V-0 BLACK
- TERMINAL MATERIAL: COPPER ALLOY
- PLATING SEE PRODUCT DESCRIPTION
- PRODUCT SPEC: GS-12-1298
- (SPC) MARKED ARE SPEC DIMENSION, NEED TO MEET CPK 1.50
- THIS PRODUCT MEETS EUROPEAN UNION DIRECTIVES AND OTHE COUNTRY REGULATIONS AS DESCRIPED IN GS-22-008
- THE HOUSING WILL WITHSTAND EXPOSURE TO 260°C TEMPERATURE FOR 40 SECONDS IN A CONVENCTION OR VAPOR PHASE REFLOW OVEN

10156000-AA B C D E LF

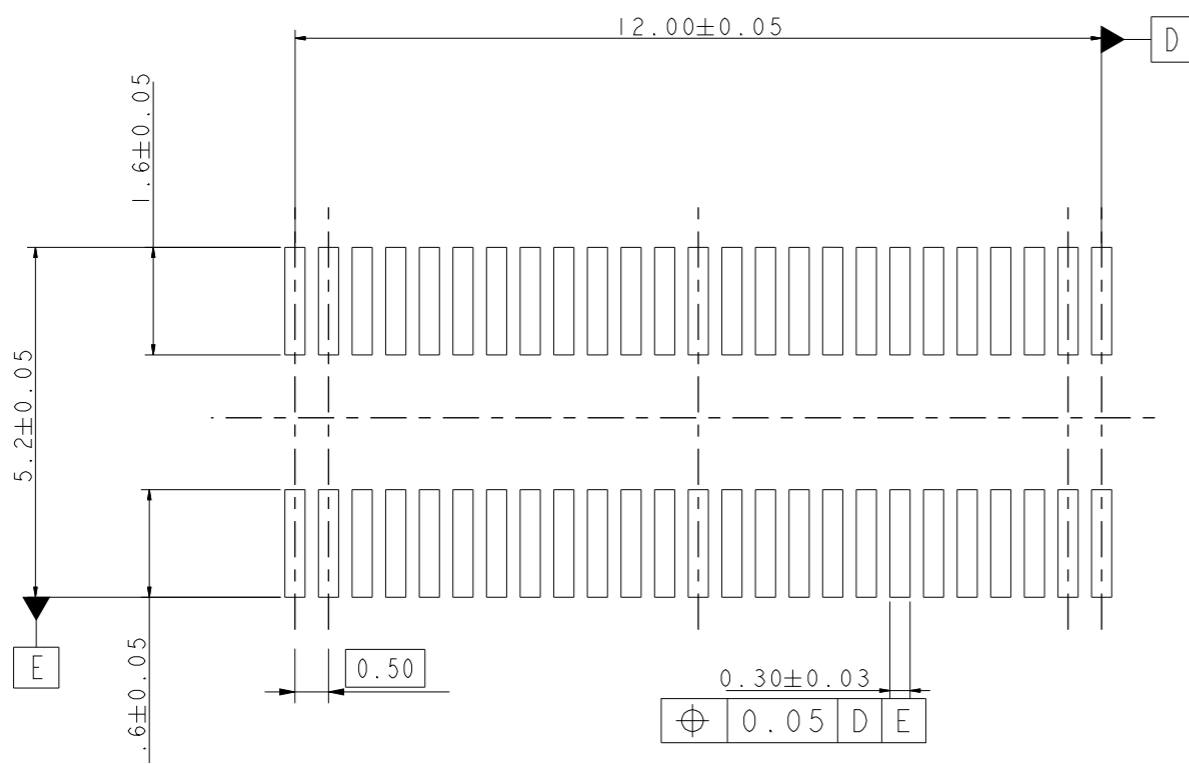
AA	POSITION
02	20
03	30
04	40
05	50
06	60

B	DESCRIPTION
1	MATING HEIGHT: 3MM MATING WITH: 10156001-0X1XXXLF

D	LOCATOR	HOLD DOWN
0	NO	NO

E	PACKAGE
0	TAPE AND REEL W/O CAP

C	PLATING OPTION ON CONTACT AREA AND SOLDER AREA
1	CONTACT AREA: 2U" MIN. AU PLATING OVER 15U" MIN. PA-NI PLATING SOLDER AREA: 2U" MIN AU PLATING UNDER PLATING: NICKEL PLATING



RECOMMENDED PCB LAY OUT

dr	Yuan-Yuan Bao	2019/11/28	projection	MM	size	A3	scale	1:1	
eng	Yuan-Yuan Bao	2020/02/25			ecn no ELX-N-36091-1				
chr	-	-			rel level Released				
appr	Tim Yao	2020/03/04	product family			rel level Released			
Amphenol FCI		0.5PITCH BTBT CONN			dwg no	10156000		rev	C
		cat. no.	Product - Customer Drw			sheet 3 of 3			