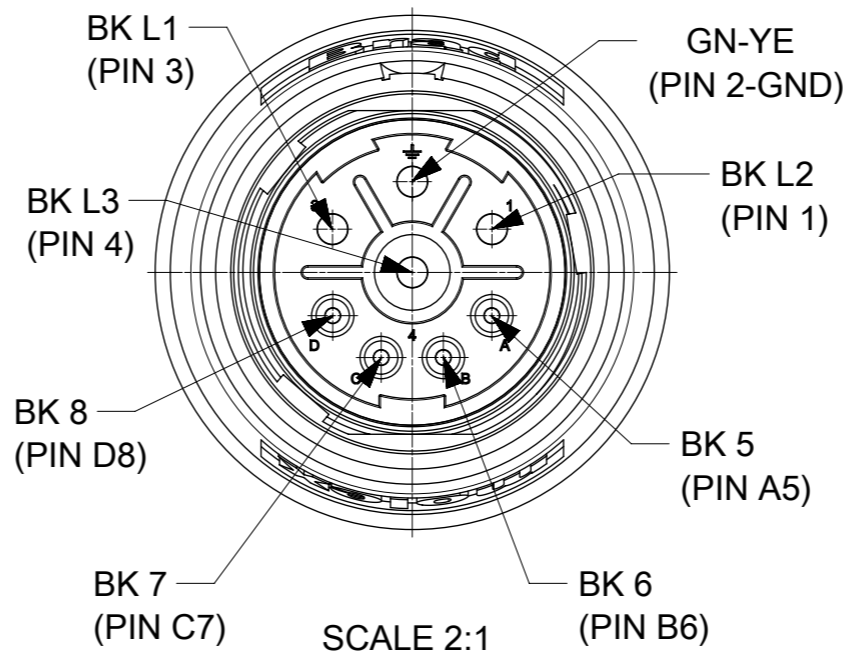


Technical Data:

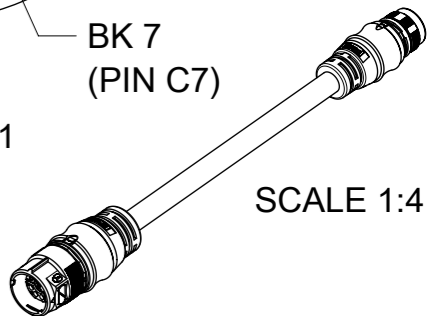
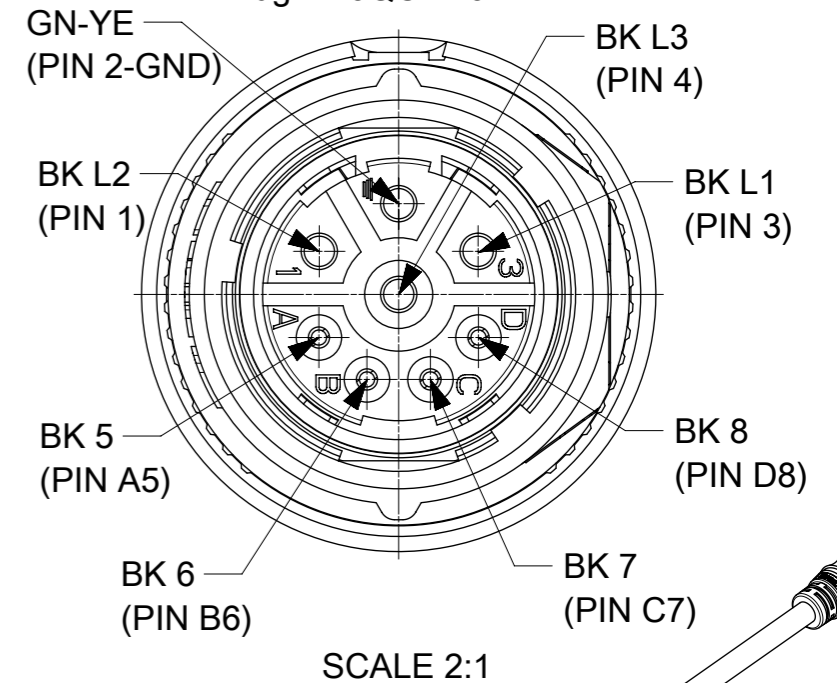
Number of positions	4 + 3 + PE	
Number of contacts	4	4
Contact Ø [mm]	1	2
Nominal current [A]	12	18
Nominal voltage [V~]	300	600
Degree of pollution 3		
Test voltage [V~]	1700	1700
Max. contact resistance [mΩ]	3	
Insulation resistance [MΩ]	>100	
Protection	IP67 (connected)	
Temperature range (fixed)	-40°C to 90°C	
Temperature range (flex)	-25°C to 80°C	

Further details see Product Specification 1204800050
The cordsets delivered packed into carton without PE-bag

**Connector pin assignment
Plug M23 4+3+PE MA**



**Connector pin assignment
Plug M23QC 4+3+PE FE**



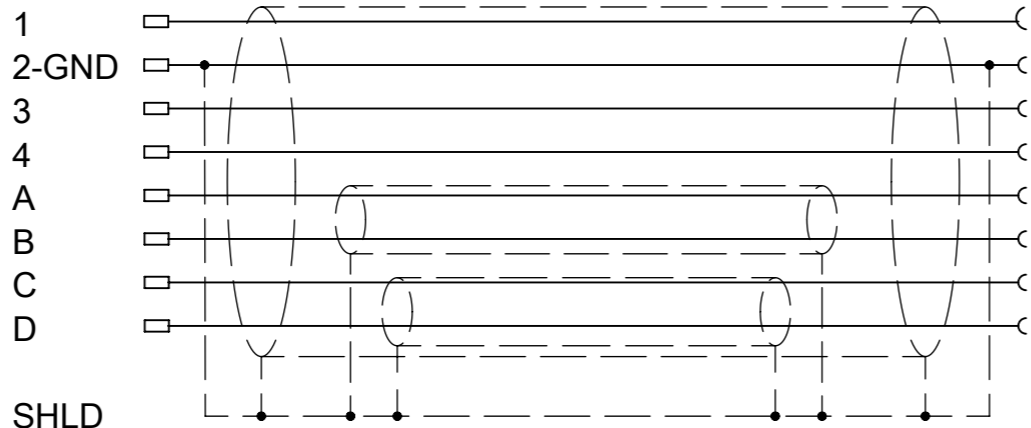
**Plug M23
4+3+PE MA**

**Wiring Diagram
Connection: IN-LINE**

**Plug M23QC
4+3+PE FE**

TABLE 1

MOLEX PN	L [mm]	Tol. [mm]
1204800653	1000	+40
1204800654	2000	+60
1204800655	3000	+60
1204800656	4000	+60
1204800657	5000	+60
1204800658	10000	+80
1204800659	15000	+140
1204800660	20000	+140



- 1 L1 BK
- 2-GND GN-YE
- 3 L2 BK
- 4 L3 BK
- A 5 BK
- B 6 BK
- C 7 BK
- D 8 BK
- SHLD

TABLE 2

POS	QTY	DESCRIPTION
1	1	PLG M23 4P+3P+1PE PC MA STR SHLD
2	1	PLG M23QC 4P+3P+PE PC FE STR SHLD
3	-	CABLE 4X1.5+2X(2X0.75) WSOR OR D12.1 SHLD

<p>SYMBOLS</p> <p>▽ = 0 ▽ = 1 ▽ = 0 ▽ = 0 ▽ = 0 ▽ = 0 ▽ = 0 ▽ = 0 ▽ = 0 ▽ = 0</p>		<p>THIS DRAWING CONTAINS INFORMATION THAT IS PROPRIETARY TO MOLEX ELECTRONIC TECHNOLOGIES, LLC AND SHOULD NOT BE USED WITHOUT WRITTEN PERMISSION</p> <p>DIMENSION UNITS: mm SCALE: 1:1</p> <p>GENERAL TOLERANCES (UNLESS SPECIFIED): ANGULAR TOL ± 1.0° 4 PLACES ± 3 PLACES ± 2 PLACES ± 0.05 1 PLACE ± 0.3 0 PLACES ± 0.5</p> <p>DRAFT WHERE APPLICABLE MUST REMAIN WITHIN DIMENSIONS</p>		<p>CURRENT REV DESC:</p> <p>EC NO: 625960 DRWN: THAERDT 2019/10/21 CHK'D: RSILLER 2019/11/21 APPR: RSILLER 2019/11/21</p> <p>INITIAL REVISION: DRWN: MSCHERER 2018/06/29 APPR: RSILLER 2019/11/21</p> <p>THIRD ANGLE PROJECTION</p>		<p>molex</p> <p>CSE M23QC 8P PC MA STR WSOR FE XM 1,5 SH</p> <p>PRODUCT CUSTOMER DRAWING</p> <p>DOCUMENT NUMBER: 1204800653 DOC TYPE: PSD DOC PART: 000 REVISION: A</p> <p>MATERIAL NUMBER: SEE TABLE 1 CUSTOMER: GENERAL MARKET SHEET NUMBER: 1 OF 1</p>	
--	--	--	--	---	--	--	--