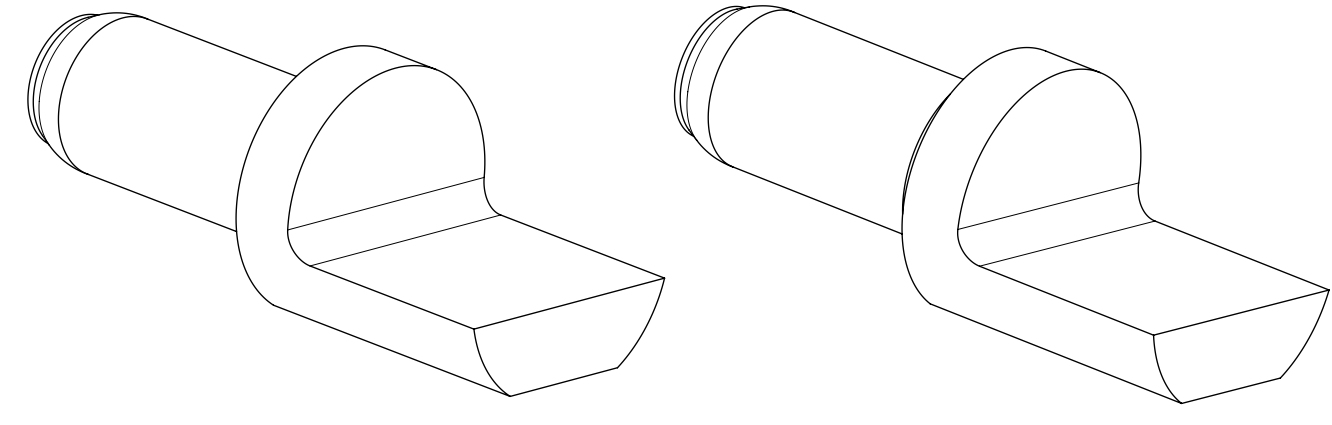


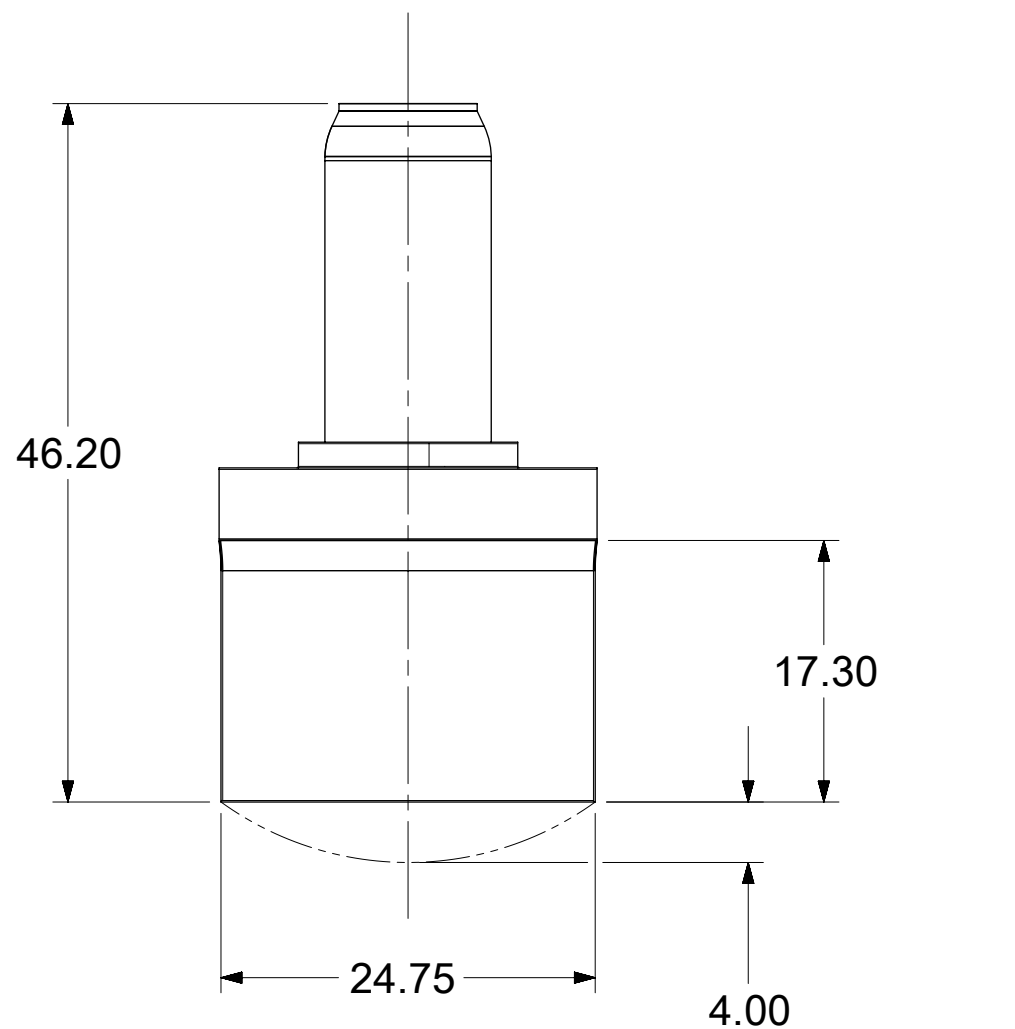
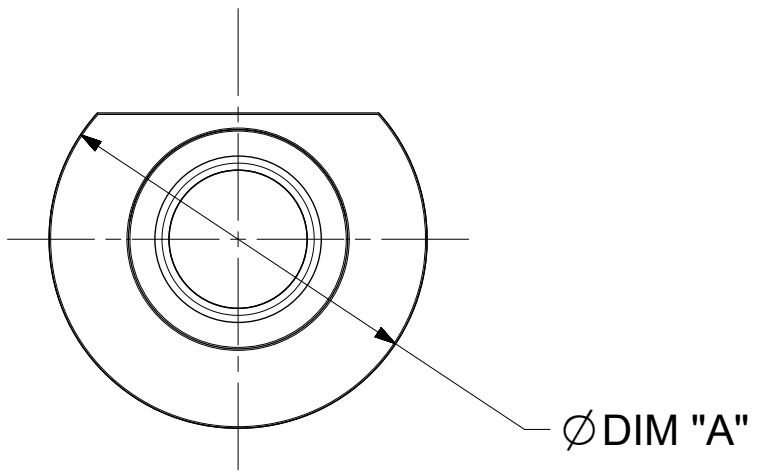
PART NUMBER	WIRE GAUGE	DIM "A"	DIM "B"	DIM "C"
172151-0051	4/0; 3/0	25.00	8.35	6.60
172151-0052	2/0; 1/0; 1AWG	18.50	7.75	5.50

- NOTES:
1. MATERIAL: TERMINAL - COPPER
 2. PLATING: SILVER OVER NICKEL
 3. TERMINAL IS COATED WITH MOLEX EB4 ENVIRONMENTAL BARRIER. WHEN HANDLING THE TERMINALS WEAR PROTECTIVE GLOVES TO PREVENT CROSS CONTAMINATION. AVOID HANDLING TERMINALS IN THE CONTACT AREAS AS SHOWN IN THE DRAWING VIEWS.
 4. BEFORE USING THE TERMINAL FOR CABLE TERMINATION REMOVE THE PROTECTIVE TAPE LAYER FROM THE WELD FLAT.

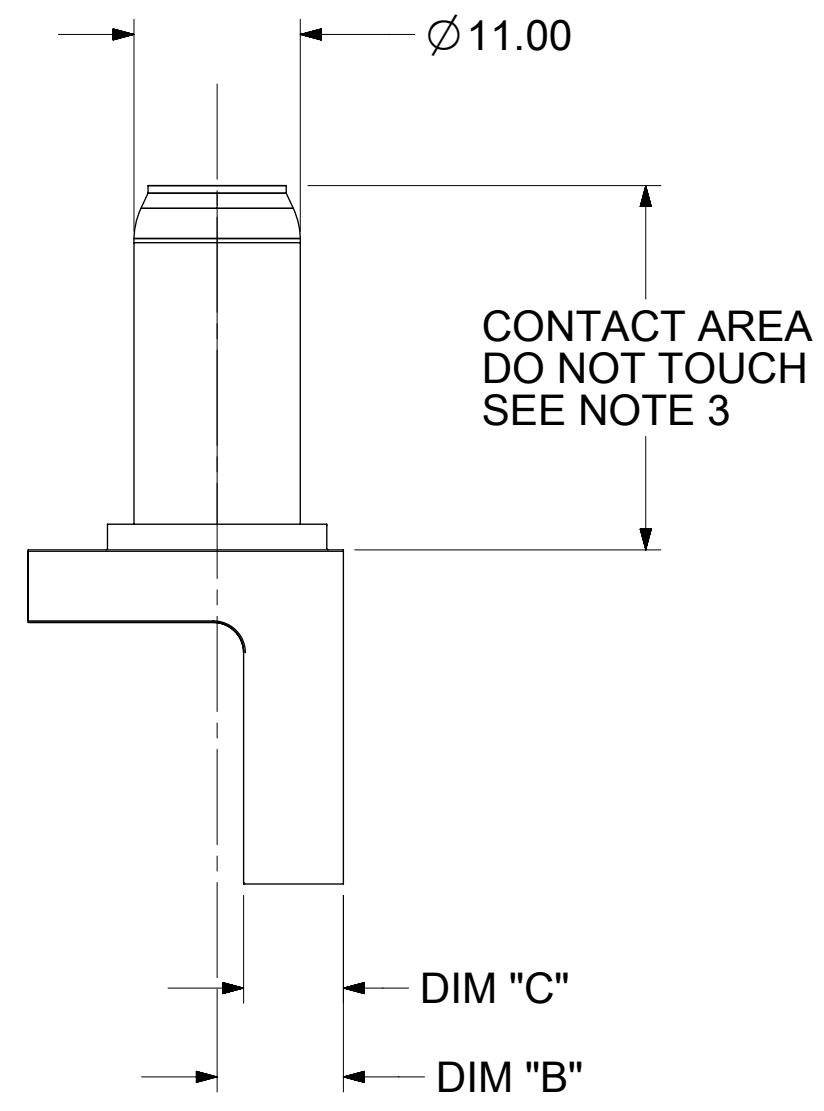


172151-0051 172151-0052

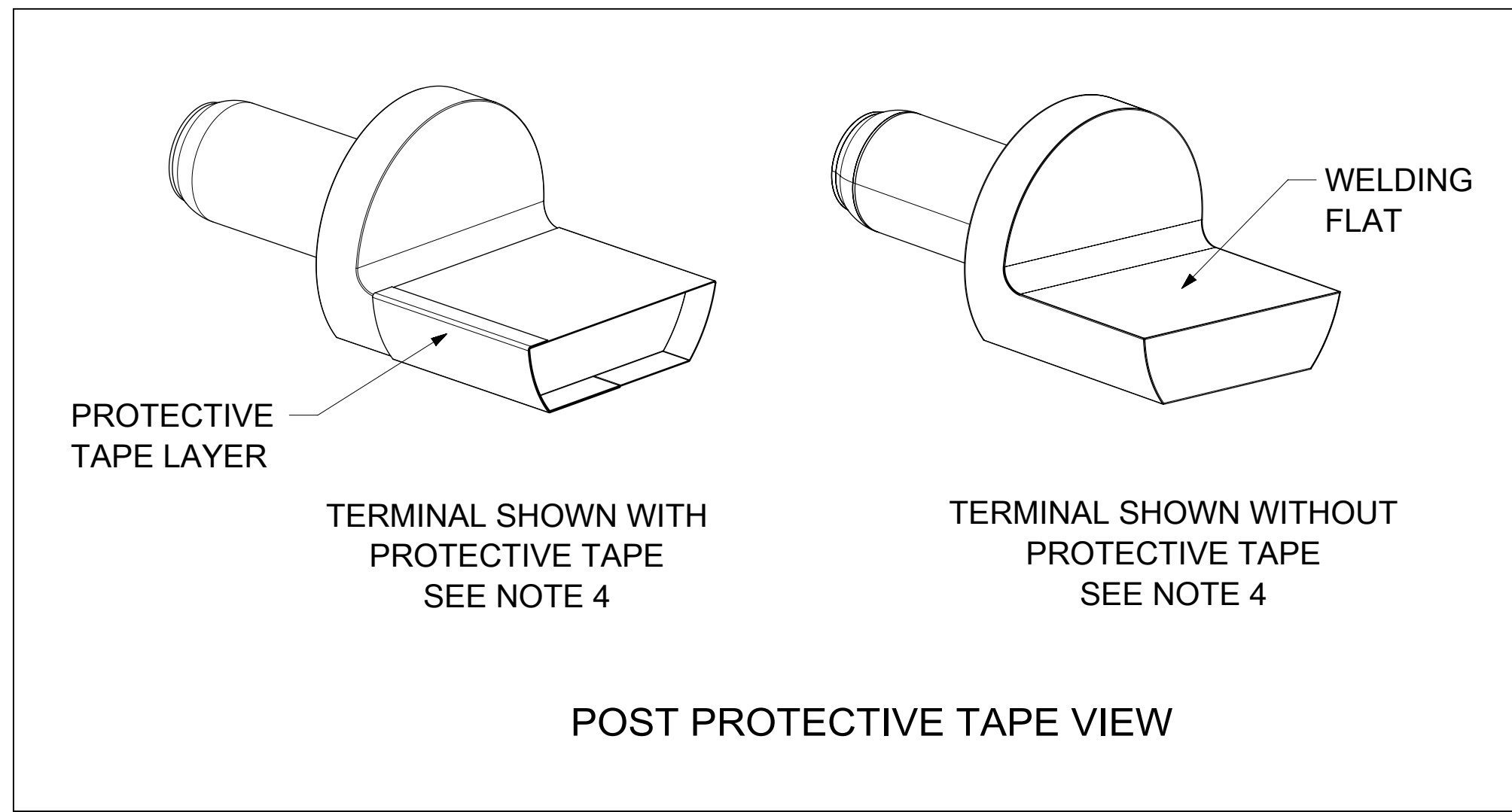
TERMINALS SHOWN WITHOUT PROTECTIVE TAPE



FREE FORM SHAPE VARIATION ALLOWED TO OCCUR IN THIS AREA



172151-0051 TERMINAL SHOWN FOR REFERENCE ONLY AND WITHOUT THE PROTECTIVE TAPE LAYER



THIS DRAWING CONTAINS INFORMATION THAT IS PROPRIETARY TO MOLEX ELECTRONIC TECHNOLOGIES, LLC AND SHOULD NOT BE USED WITHOUT WRITTEN PERMISSION													
SYMBOLS		DIMENSION UNITS		SCALE		CURRENT REV DESC: MIGRATED DOCUMENT							
▽ = 0		mm		2:1		molex PIN TERMINAL FOR ULTRA-SONIC WELDING IMPERIUM PLUS PRODUCT CUSTOMER DRAWING EC NO: 629705 DRWN: VHANDI 2017/12/26 CHK'D: JFMURPHY 2020/01/06 APPR: JFMURPHY 2020/01/06 INITIAL REVISION: DRWN: JQUILES 2014/01/21 APPR: APATEL 2015/01/13							
▽ = 0		GENERAL TOLERANCES (UNLESS SPECIFIED)											
▽ = 0		ANGULAR TOL ± 0.5°											
▽ = 0		4 PLACES ±											
▽ = 0		3 PLACES ±											
▽ = 0		2 PLACES ± 0.5				DOCUMENT NUMBER		DOC TYPE		DOC PART		REVISION	
▽ = 0		1 PLACE ± 0.8				SD-172151-0001		PSD		001		C	
▽ = 0		0 PLACES ±				MATERIAL NUMBER		CUSTOMER		SHEET NUMBER			
▽ = 0		DRAFT WHERE APPLICABLE MUST REMAIN WITHIN DIMENSIONS				THIRD ANGLE PROJECTION		DRAWING		SERIES		SEE CHART	
▽ = 0				C-SIZE		172151		GENERAL MARKET		1 OF 1			