

NOTES:

1. MATERIALS AND FINISHES:

- FERRULE - COPPER, GOLD PLATING
- SPRING RING - BERYLLIUM COPPER, GOLD PLATING
- BODY - BRASS, GOLD PLATING
- CONTACT - BRASS, GOLD PLATING
- INSULATOR - PTFE, NATURAL

2. ELECTRICAL:

- A. IMPEDANCE: 50 OHM, NOMINAL
- B. FREQUENCY RANGE: 0-6 GHz
- C. D.W.V: 500 VRMS, MIN.

3. MECHANICAL:

- A. DURABILITY: 500 CYCLES MIN.
- B. TEMPERATURE RANGE: -55°C TO +155°C

4. CRIMPED FERRULE HEX CRIMP SIZE .128"

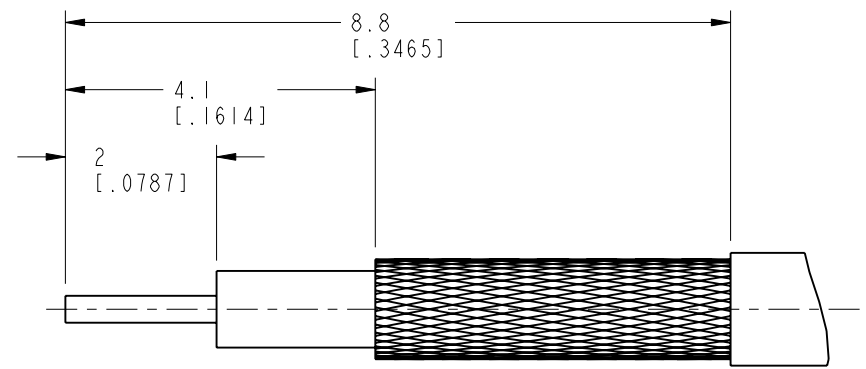
5. CONTACT PIN TO SOLDER

6 SHOWS CABLE ENTRY DIMENSIONS.

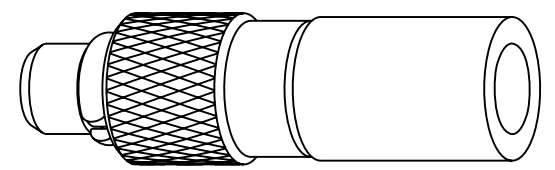
THIRD ANGLE PROJ.

REVISIONS

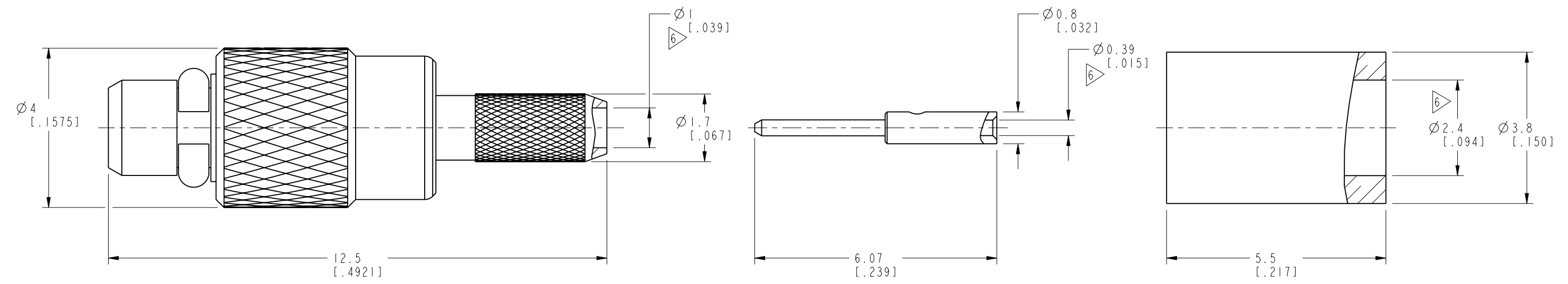
REV	DESCRIPTION	DATE	ECO	APPR
NC	INITIAL RELEASE	06-May-99	-----	GRS
A	UPDATE DRAWING FORMAT	06-Nov-06	-----	GRS
D	SPRING RING WAS CHANGED\RD-DM90111901K	19-Nov-01	-----	TONY
	CONTACT PIN WAS CHANGED\RD-DM91082001K	20-Aug-02		
E	BODY AND RING WERE CHANGED\RD-DM11011401T1	28-Mar-11	-----	SH
F	DRAWN IN THE PRO/E, UPDATED CONTACT PIN	28-Sep-17	05243	SH
G	THE ID OF CONTACT Ø0.39 WAS Ø0.4	05-Dec-17	06061	RM



RECOMMENDED CABLE STRIPPING DIMENSIONS



SCALE 5.000



CUSTOMER OUTLINE DRAWING
ALL OTHER SHEETS ARE FOR INTERNAL USE ONLY

<p>UNLESS OTHERWISE SPECIFIED, DIMENSIONS ARE IN METRIC AND TOLERANCES ARE: <0.5mm ±0.05mm 0.5 - 6mm ±0.1mm 6 - 30mm ±0.2mm 30 - 120mm ±0.3mm ANGLES ±1°</p> <p>NOTICE - These drawings, specifications, or other data (1) are, and remain the property of Amphenol corp. (2) must be returned upon request; and (3) are confidential and not to be disclosed to any person other than those to whom they are given by Amphenol Corp. the furnishing of these drawings, specifications, or other data by Amphenol Corp., or to any other person to anyone for any purpose is not to be regarded by implication or otherwise in any manner licensing, granting rights to permitting such holder or any other person to manufacture, use or sell any product, process or design, patented or otherwise, that may in any way be related to or disclosed by said drawings, specifications, or other data.</p>	MATERIAL	DRAWN M. ZHANG	DATE 27-Sep-17	<p>TITLE MMCX CRIMP PLUG (FOR RG-178B/U, 196A/U CABLE)</p>	<p>Amphenol RF www.amphenolrf.com</p>	
	REFERENCE ---- AND ----	ENGINEER S. LI	DATE 25-Mar-11			
	CONFIGURATION LEVEL: In Work	APPROVED S. HSIEH	DATE 05-Dec-17	SCALE: 10.0:1.0 SHEET 2 OF 2	ITEM NO. 091121AAA16GE5F	
	FINISH	CAD FILE	DWG SIZE B	REV G	PART NO. 262100	