

# Surge protection device - MT-RS485 - 2762265

Please be informed that the data shown in this PDF Document is generated from our Online Catalog. Please find the complete data in the user's documentation. Our General Terms of Use for Downloads are valid (<http://download.phoenixcontact.com>)




Rail-mountable module with surge voltage coarse and fine protection for RS-485 interface, for mounting on NS 35/7.5, housing width: 50 mm

The illustration shows version MT-RS485/S



## Key commercial data

Packing unit	1
Minimum order quantity	5
Catalog page	Page 100 (TT-2002)
GTIN	 4 017918 064945
Custom tariff number	85363010
Country of origin	GERMANY

## Technical data

### General

Color	black
Ambient temperature (operation)	-40 °C ... 60 °C
Mounting type	DIN rail: 35 mm
Design	Rail-mountable module, one-piece
Degree of protection	IP20
Direction of action	Line-Line & Line-Signal Ground/Shield & Signal Ground/Shield-Earth Ground
Width	47.6 mm
Height	77.5 mm
Depth	54.9 mm

### Protective circuit

IEC category	C2
IEC category	C3
IEC category	D1
VDE requirement class	C2
VDE requirement class	C3

# Surge protection device - MT-RS485 - 2762265

## Technical data

### Protective circuit

VDE requirement class	D1
Maximum continuous voltage UC (wire-ground)	12 V DC
Nominal current I <sub>N</sub>	450 mA (25°C)
Operating effective current I <sub>C</sub> at UC	≤ 10 μA
Nominal discharge surge current I <sub>n</sub> (8/20) μs (Core-Core)	10 kA
Nominal discharge surge current I <sub>n</sub> (8/20) μs (Core-Earth)	10 kA
Lightning test current (10/350) μs, peak value I <sub>imp</sub>	500 A
Output voltage limitation at 1 kV/μs (Core-Core) spike	≤ 22 V
Output voltage limitation at 1 kV/μs (Core-Earth) spike	≤ 600 V
Output voltage limitation at 1 kV/μs (Core-Core) static	≤ 22 V
Output voltage limitation at 1 kV/μs (Core-Earth) static	≤ 600 V
Output voltage limitation at 1 kV/μs (Core-GND) static	≤ 22 V
Residual voltage at I <sub>n</sub> , (conductor-conductor)	≤ 19 V
Residual voltage at I <sub>n</sub> , (conductor-GND)	≤ 19 V
Protection level UP (Core-Core)	≤ 22 V
Protection level UP (Core-Earth)	≤ 600 V
Protection level UP (Core-GND)	≤ 22 V
Response time t <sub>A</sub> (Core-Core)	1 ns
Response time t <sub>A</sub> (Core-Earth)	≤ 1 ns
Response time t <sub>A</sub> (Core-Earth)	≤ 100 ns
Input attenuation a <sub>E</sub> , sym.	≤ 0.1 dB (Up to 10 kHz)
Input attenuation a <sub>E</sub> , asym.	0.8 dB (up to 0.1 MHz 50 Ω system)
Input attenuation a <sub>E</sub> , asym.	0.1 dB (up to 10 kHz 600 Ω system)
Cut-off frequency f <sub>g</sub> (3 dB), asym. (GND) in 50 Ohm system	1.3 MHz
Cut-off frequency f <sub>g</sub> (3 dB), asym. (GND) in 600 Ohm system	130 kHz
Resistance in series	4.4 Ω

### Connection data

Connection method	Screw connection
Connection type IN	Screw terminal blocks
Connection type OUT	Screw terminal blocks
Screw thread	M3
Stripping length	8 mm
Conductor cross section stranded min.	0.2 mm <sup>2</sup>
Conductor cross section stranded max.	2.5 mm <sup>2</sup>
Conductor cross section solid min.	0.2 mm <sup>2</sup>
Conductor cross section solid max.	4 mm <sup>2</sup>
Conductor cross section AWG/kcmil min.	24
Conductor cross section AWG/kcmil max	12

### Connection, protective circuit

Standards/regulations	IEC 61643-21
-----------------------	--------------

# Surge protection device - MT-RS485 - 2762265

## Classifications

### eclass

eCl@ss 4.0	27140201
eCl@ss 4.1	27130801
eCl@ss 5.0	27130801
eCl@ss 5.1	27130801
eCl@ss 6.0	27130807
eCl@ss 7.0	27130807

### etim

ETIM 2.0	EC000943
ETIM 3.0	EC000943
ETIM 4.0	EC000943

### unspsc

UNSPSC 6.01	30212010
UNSPSC 7.0901	39121610
UNSPSC 11	39121610
UNSPSC 12.01	39121610
UNSPSC 13.2	39121620

## Approvals

### Approvals

---

Approvals

GOST / GOST

---

Ex Approvals

---

Approvals submitted

---

### Approval details



# Surge protection device - MT-RS485 - 2762265

## Accessories

### Additional products

Shield connection - SSA 3-6 - 2839295



shield fast connections for conductor diameter 3 - 6 mm. Potential connection cable: 200 mm, black

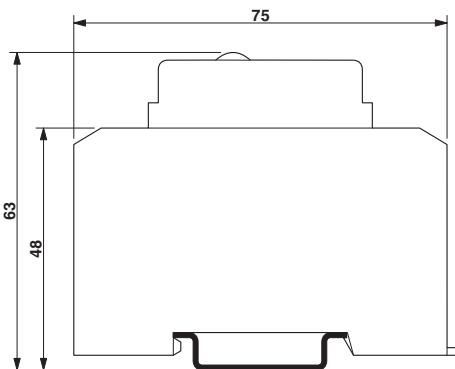
Shield connection - SSA 5-10 - 2839512



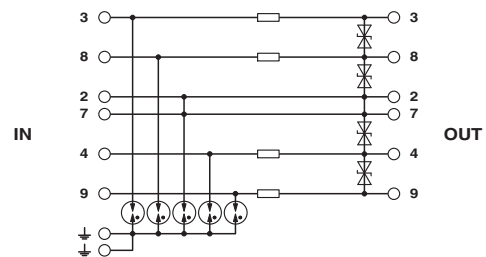
Shield fast connection for conductor diameters 5 - 10 mm. Potential connection cable: 200 mm, black

## Drawings

### Dimensioned drawing

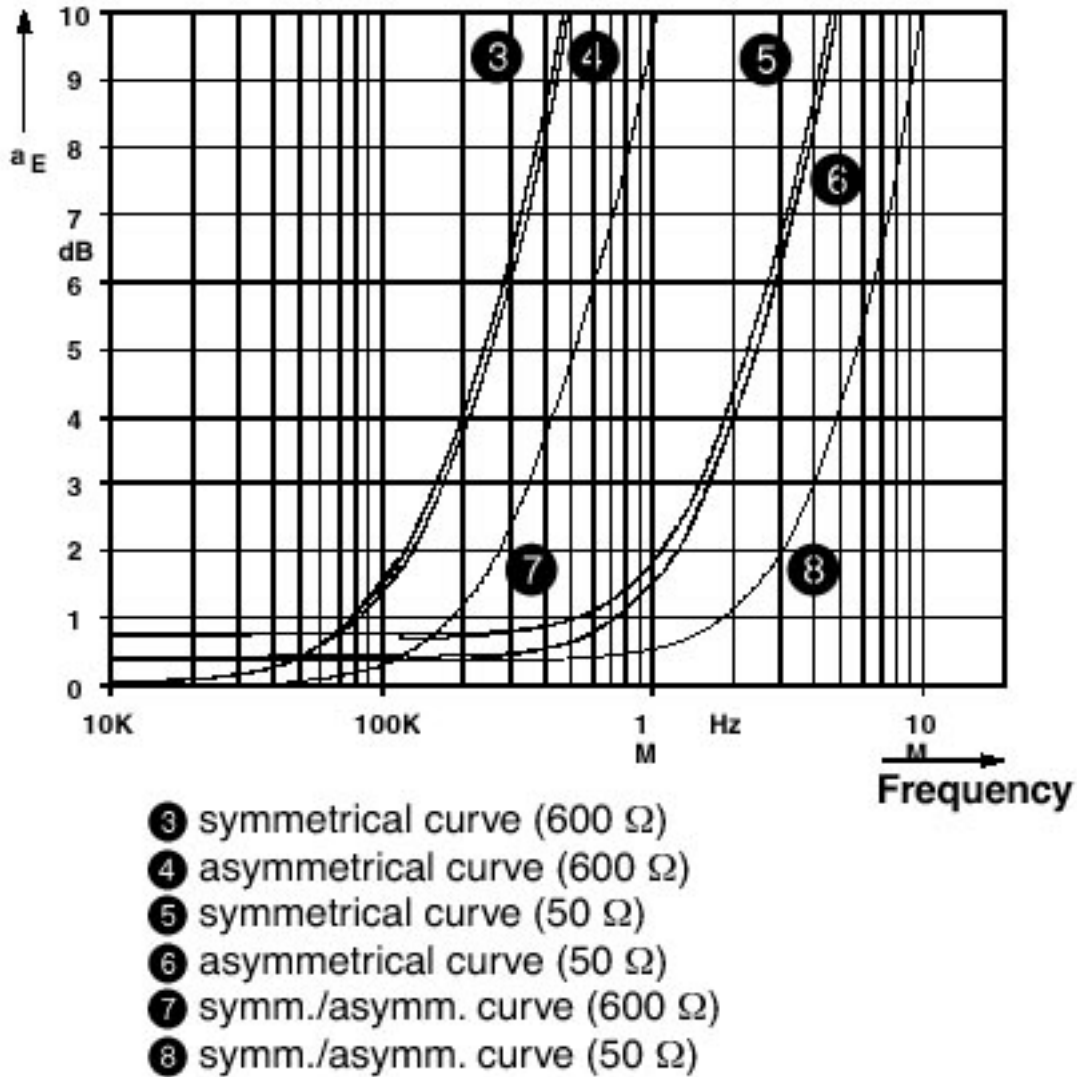


### Circuit diagram



# Surge protection device - MT-RS485 - 2762265

Diagram



Characteristic attenuation curve