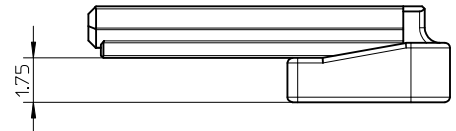
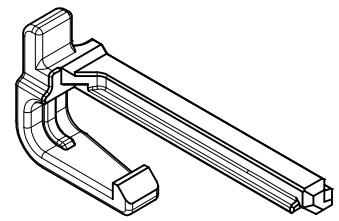
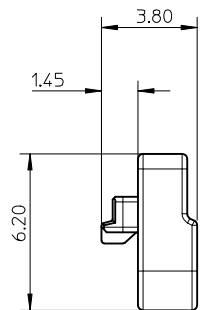
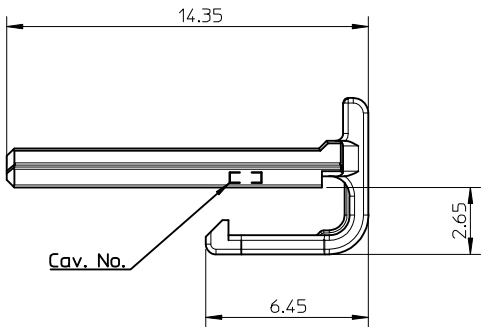
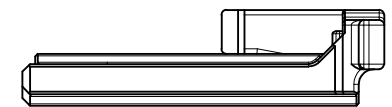
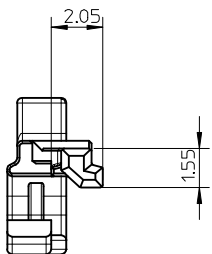


GENERAL TOLERANCE										USED ON
10 MAX	30 MAX	50 MAX	70 MAX	100 MAX	120 MAX	250 MAX	250 OVR	ANGLE	ECCENT	
±0.15	±0.20	±0.30	±0.40	±0.50	±0.75	±0.90	±1.4	±0.5°	0.1	

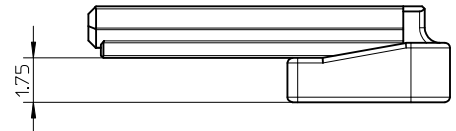
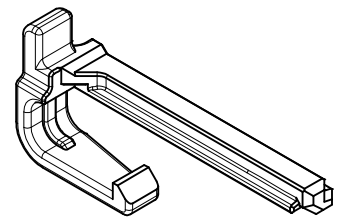
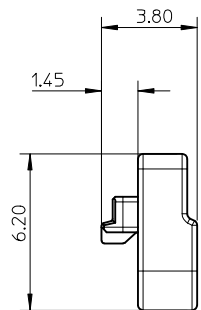
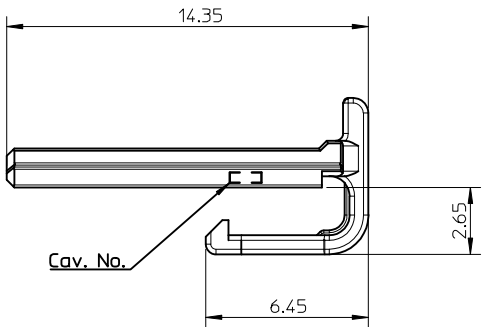
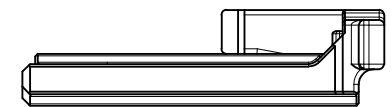
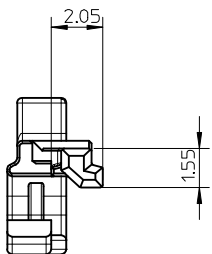


- NOTES:
1. MATERIAL : POLYESTER (PBT), GLASS FILLED, UL94V-0
  2. APPLICABLE HOUSING : 560123-0600, 560123-0601
  3. GENERAL TOLERANCE : SEE TABLE
  4. ELV AND RoHS COMPLIANT
  5. PRODUCT SPECIFICATION : PS-560123-001
  6. PRODUCT SPECIFICATION : PK-560125-001

ORDER NO	MATERIAL NO	COLOR
560125-0600	560125-0600	GRAY
560125-0601	560125-0601	BLACK

<b>ADDED OPTION</b> EC NO: KTR2015-0103 DRWN: YIBA EK 2015/04/29 CHKD: APPR: JYCHO1 2015/05/29 DESCRIPTION	QUALITY SYMBOLS	GENERAL TOLERANCES (UNLESS SPECIFIED)	DIMENSION STYLE	SCALE	DESIGN UNITS	THIRD ANGLE PROJECTION																		
	▼=0 □=0	<table border="1"> <thead> <tr> <th></th> <th>mm</th> <th>INCH</th> </tr> </thead> <tbody> <tr> <td>4 PLACES</td> <td>±---</td> <td>±---</td> </tr> <tr> <td>3 PLACES</td> <td>±---</td> <td>±---</td> </tr> <tr> <td>2 PLACES</td> <td>±---</td> <td>±---</td> </tr> <tr> <td>1 PLACE</td> <td>±---</td> <td>±---</td> </tr> <tr> <td colspan="3">ANGULAR ±---°</td> </tr> </tbody> </table>		mm	INCH	4 PLACES	±---	±---	3 PLACES	±---	±---	2 PLACES	±---	±---	1 PLACE	±---	±---	ANGULAR ±---°			MM ONLY	5:1	METRIC	
		mm	INCH																					
	4 PLACES	±---	±---																					
3 PLACES	±---	±---																						
2 PLACES	±---	±---																						
1 PLACE	±---	±---																						
ANGULAR ±---°																								
REV	DESCRIPTION	DRAFT WHERE APPLICABLE MUST REMAIN WITHIN DIMENSIONS	DRAWN BY: YIBA EK DATE: 2014/07/08 CHECKED BY: DATE: APPROVED BY: SRTAK DATE: 2014/08/26 MATERIAL NO.	TITLE: NEW 2.0 PITCH W/B CONN. REC. 6WAY ISL DURACLIK™ ISL SERIES MOLEX INCORPORATED DOCUMENT NO. SD-560125-004	SHEET NO.	1 OF 1																		
			SIZE: A3	THIS DRAWING CONTAINS INFORMATION THAT IS PROPRIETARY TO MOLEX INCORPORATED AND SHOULD NOT BE USED WITHOUT WRITTEN PERMISSION																				

GENERAL TOLERANCE										USED ON
10 MAX	30 MAX	50 MAX	70 MAX	100 MAX	120 MAX	250 MAX	250 OVR	ANGLE	ECCENT	
±0.15	±0.20	±0.30	±0.40	±0.50	±0.75	±0.90	±1.4	±0.5°	0.1	



- NOTES:
1. MATERIAL : POLYESTER (PBT), GLASS FILLED, UL94V-0
  2. APPLICABLE HOUSING : 560123-0600, 560123-0601
  3. GENERAL TOLERANCE : SEE TABLE
  4. ELV AND RoHS COMPLIANT
  5. PRODUCT SPECIFICATION : PS-560123-001
  6. PRODUCT SPECIFICATION : PK-560125-001

ORDER NO	MATERIAL NO	COLOR
560125-0600	560125-0600	GRAY
560125-0601	560125-0601	BLACK

<b>ADDED OPTION</b> EC NO: KTR2015-0103 DRWN: YIBA EK 2015/04/29 CHKD: APPR: JYCHO1 2015/05/29 DESCRIPTION	QUALITY SYMBOLS	GENERAL TOLERANCES (UNLESS SPECIFIED)	DIMENSION STYLE	SCALE	DESIGN UNITS	THIRD ANGLE PROJECTION																		
	▼=0 □=0	<table border="1"> <thead> <tr> <th></th> <th>mm</th> <th>INCH</th> </tr> </thead> <tbody> <tr> <td>4 PLACES</td> <td>±---</td> <td>±---</td> </tr> <tr> <td>3 PLACES</td> <td>±---</td> <td>±---</td> </tr> <tr> <td>2 PLACES</td> <td>±---</td> <td>±---</td> </tr> <tr> <td>1 PLACE</td> <td>±---</td> <td>±---</td> </tr> <tr> <td colspan="3">ANGULAR ±---°</td> </tr> </tbody> </table>		mm	INCH	4 PLACES	±---	±---	3 PLACES	±---	±---	2 PLACES	±---	±---	1 PLACE	±---	±---	ANGULAR ±---°			MM ONLY	5:1	METRIC	
		mm	INCH																					
	4 PLACES	±---	±---																					
3 PLACES	±---	±---																						
2 PLACES	±---	±---																						
1 PLACE	±---	±---																						
ANGULAR ±---°																								
REV	DESCRIPTION	DRAFT WHERE APPLICABLE MUST REMAIN WITHIN DIMENSIONS	DRAWN BY: YIBA EK DATE: 2014/07/08 CHECKED BY: DATE: APPROVED BY: SRTAK DATE: 2014/08/26 MATERIAL NO.	TITLE: NEW 2.0 PITCH W/B CONN. REC. 6WAY ISL DURACLIK™ ISL SERIES MOLEX INCORPORATED DOCUMENT NO. SD-560125-004	SHEET NO.	1 OF 1																		
			SIZE: A3	THIS DRAWING CONTAINS INFORMATION THAT IS PROPRIETARY TO MOLEX INCORPORATED AND SHOULD NOT BE USED WITHOUT WRITTEN PERMISSION																				