

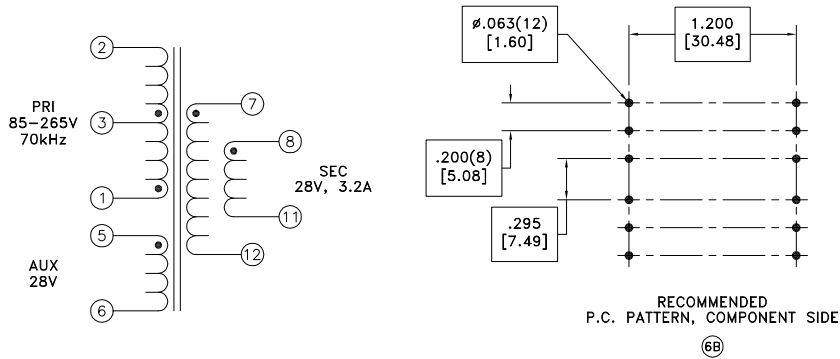
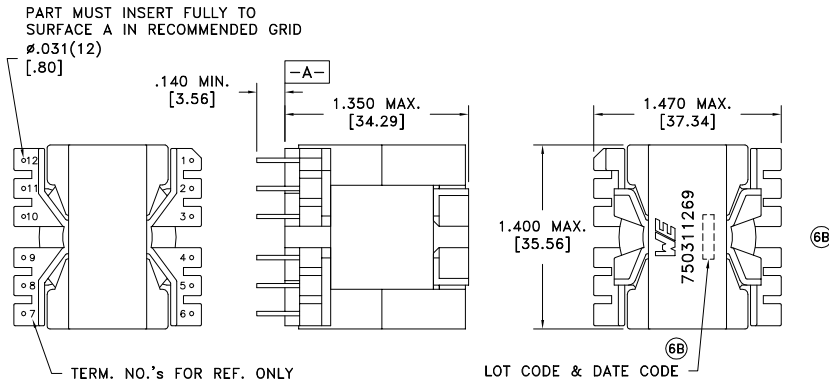
CUSTOMER TERMINAL	RoHS	LEAD(Pb)-FREE
Sn96%, Ag4%	Yes	Yes

more than you expect



ELECTRICAL SPECIFICATIONS @ 25°C unless otherwise noted:

PARAMETER	TEST CONDITIONS	VALUE
D.C. RESISTANCE	1-2 @20°C	0.285 ohms ±10%
D.C. RESISTANCE	5-6 @20°C	0.095 ohms max.
D.C. RESISTANCE	8-11 tie(7+8, 11+12), @20°C	0.045 ohms max.
INDUCTANCE	1-2 10kHz, 100mVAC, Ls	600uH ±4%
LEAKAGE INDUCTANCE	1-2 tie(5+6, 7+8+11+12), 100kHz, 100mVAC, Ls	6.0uH typ., 10.0uH max.
DIELECTRIC	1-8 tie(2+5, 7+8), 3750VAC, 1 second	3750VAC, 1 minute
URNS RATIO	(1-2):(8-11)	4:1, ±1%
URNS RATIO	(1-2):(7-12)	4:1, ±1%
URNS RATIO	(1-2):(5-6)	4:1, ±1%



Wire insulation & RoHS status not affected by wire color.
 Wire insulation color may vary depending on availability.

REV.	DATE	Packaging Specifications Method: Tray PKG-0825 www.we-online.com/midcom		Tolerances unless otherwise specified: Angles: $\pm 1^\circ$ Fractions: $\pm 1/64$	Decimals: $\pm .005$ [.13] Footprint: $\pm .001$ [.03]	DRAWING TITLE TRANSFORMER	PART NO. 750311269
6B	4/15			This drawing is dual dimensioned. Dimensions in brackets are in millimeters.		eiSos p/n: 750311269	SPECIFICATION SHEET 1 OF 1
6A	10/10	SEE REVISION SHEET FOR REVISION LEVEL					