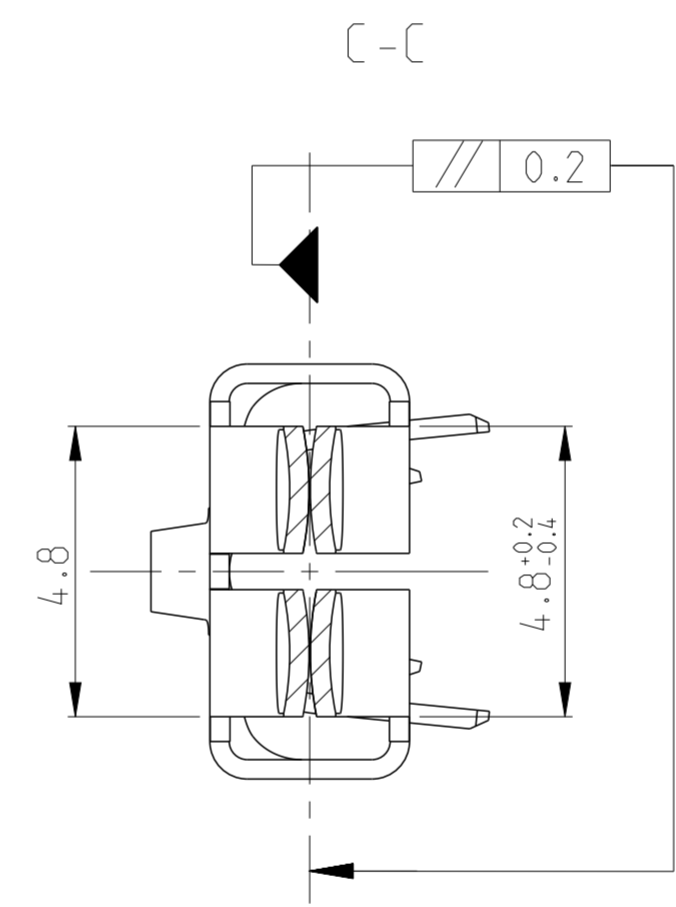
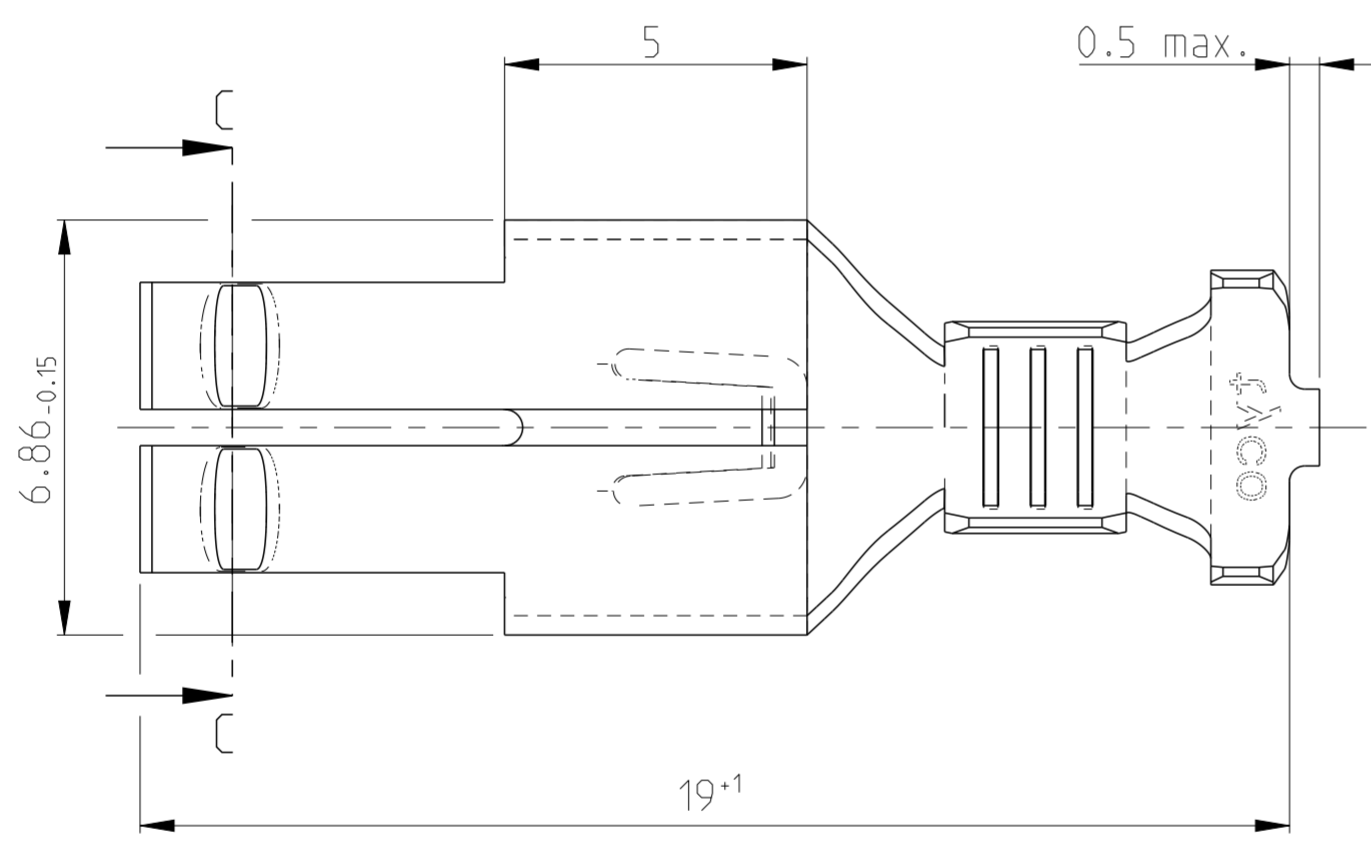
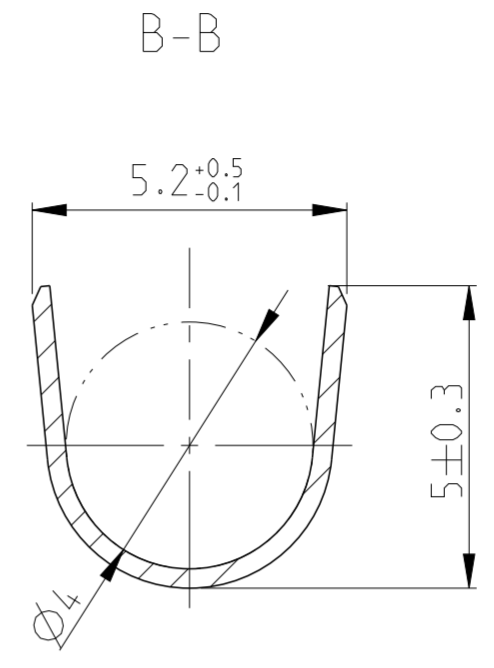
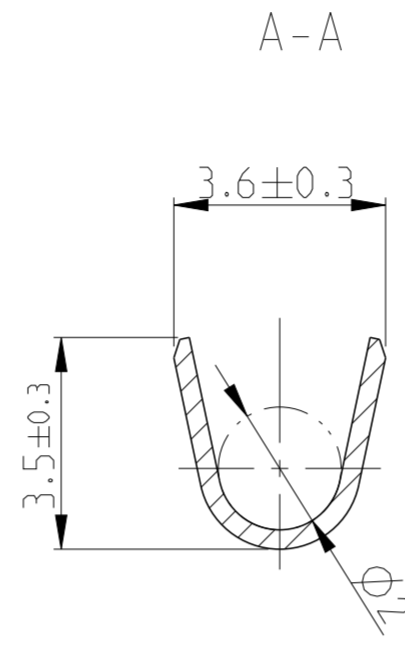
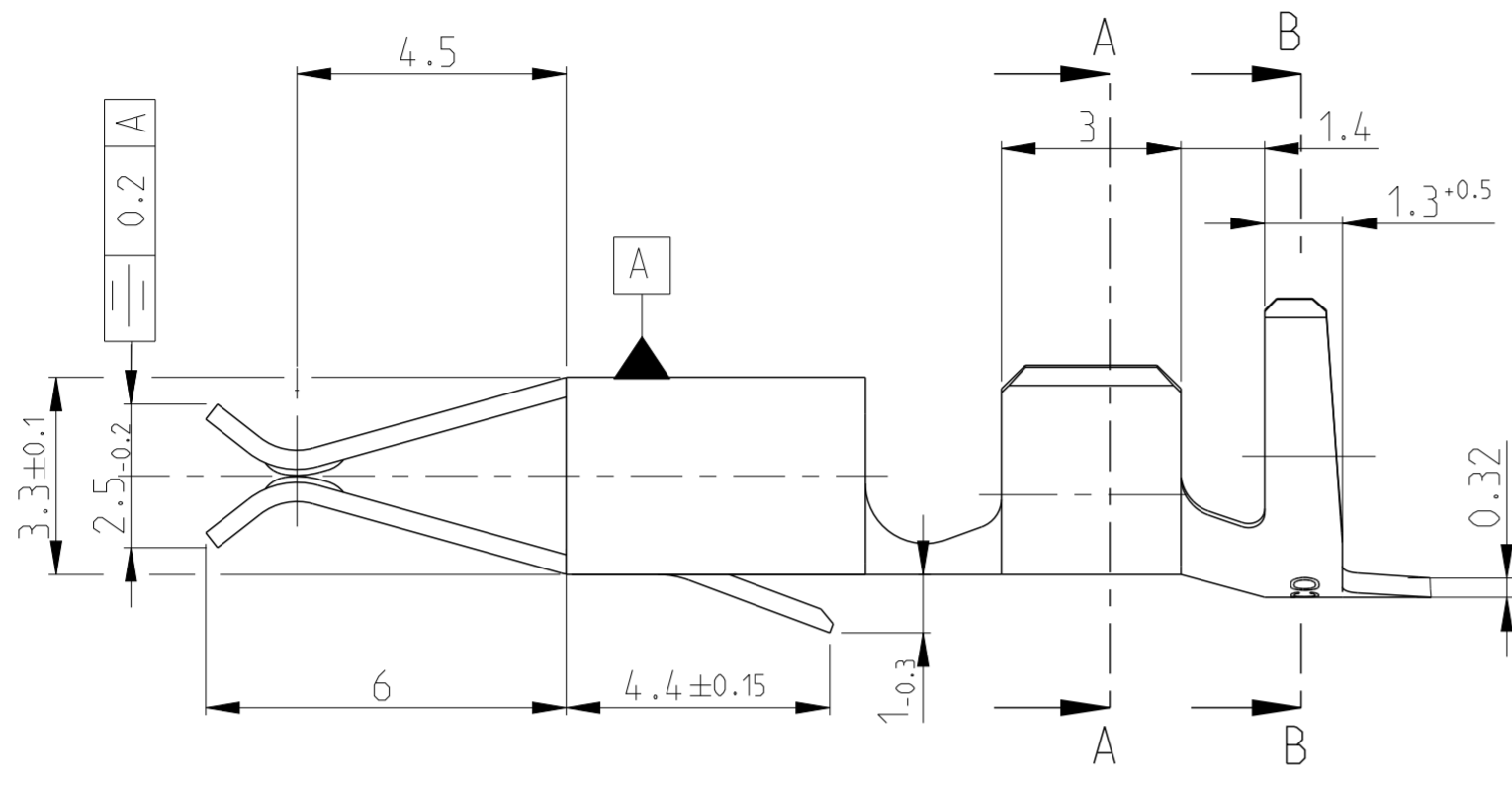


THIS DRAWING IS UNPUBLISHED. RELEASED FOR PUBLICATION 20  
 © COPYRIGHT 20 BY - ALL RIGHTS RESERVED.

REVISIONS					
P	LTR	DESCRIPTION	DATE	DWN	APVD
	H1	ECR-14-007191	25JUN2014	SK	JS



Kontakt geeignet fuer  
 Drahtgroessenbereich 1.0-2.5 mm<sup>2</sup>  
 Isolationsbereich Ø2.4-3.7mm

OBSOLETE	0-926008-3		H	2.4-3.7	STANDARD - TIMER KONTAKT		vorverzinnt
OBSOLETE	0-926008-2		H	2.4-3.7	STANDARD - TIMER KONTAKT	Bronze	vorverzinnt
	0-926008-1		H	2.4-3.7	STANDARD - TIMER KONTAKT	Messing	vorverzinnt
OBSOLETE		0-926006-3	H	2.4-3.7	STANDARD - TIMER KONTAKT	Kupfereisen	vorverzinnt
OBSOLETE		0-926006-2	H	2.4-3.7	STANDARD - TIMER KONTAKT	Bronze	vorverzinnt
		0-926006-1	H	2.4-3.7	STANDARD - TIMER KONTAKT	Messing	vorverzinnt
	EINZELAUSFUHRUNG	BANDWARE	REV	ISOL. BEREICH	BENENNUNG EINZELTEIL	WERKSTOFF	OBERFLACHE

THIS DRAWING IS A CONTROLLED DOCUMENT.

DWN	Goerke	23DEC1987
CHK	Bitsch	26JUN2014
APVD	Bleicher, M.	12JUN07
PRODUCT SPEC		
APPLICATION SPEC		
WEIGHT	-	
Customer Drawing		

DIMENSIONS: mm  
 TOLERANCES UNLESS OTHERWISE SPECIFIED:  
 0 PLC ±0.2  
 1-PLC ±0.2  
 2-PLC ±0.2  
 3-PLC ±0.2  
 4-PLC ±0.2  
 ANGLES ±°  
 FINISH -

**STE** TE Connectivity  
 NAME: STANDARD TIMER CONTACT  
 SIZE: A2  
 CAGE CODE: -  
 DRAWING NO: C-926006  
 RESTRICTED TO: -  
 SCALE: 8:1 SHEET 1 OF 1 REV: H1