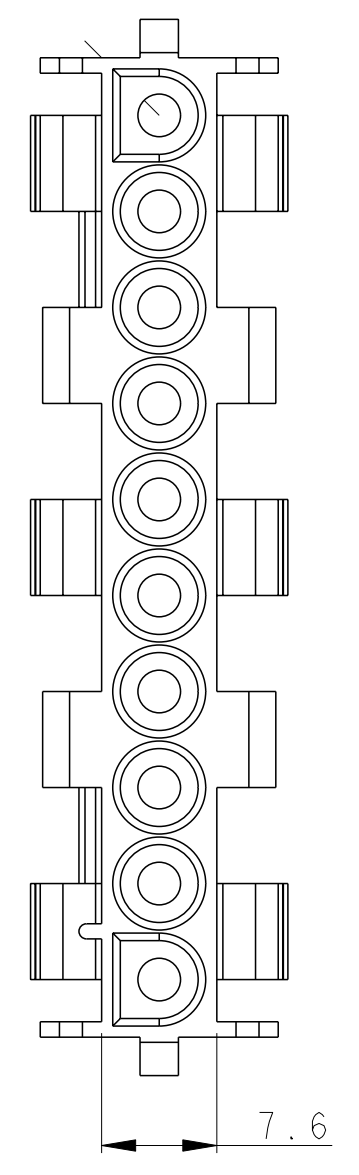
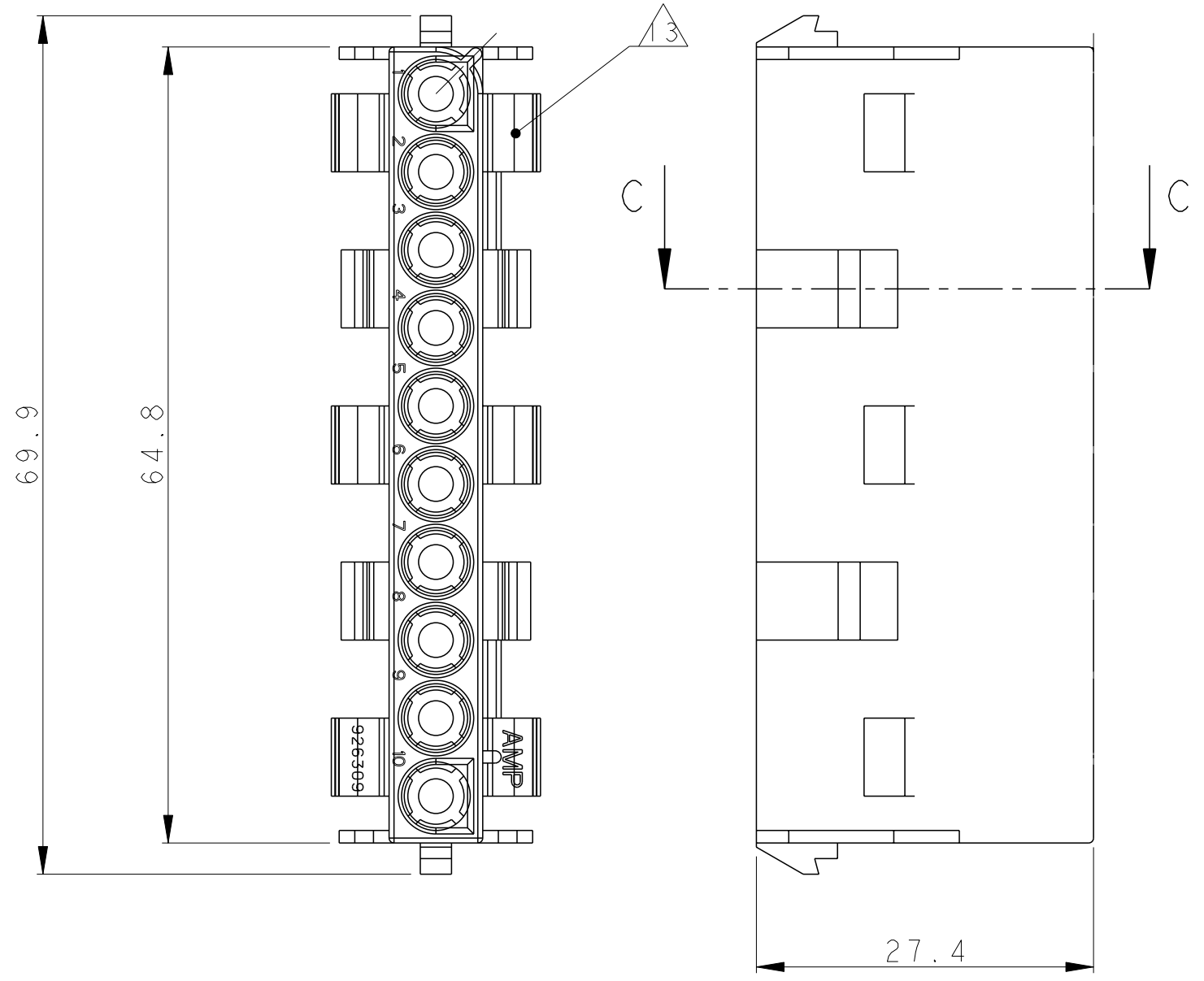


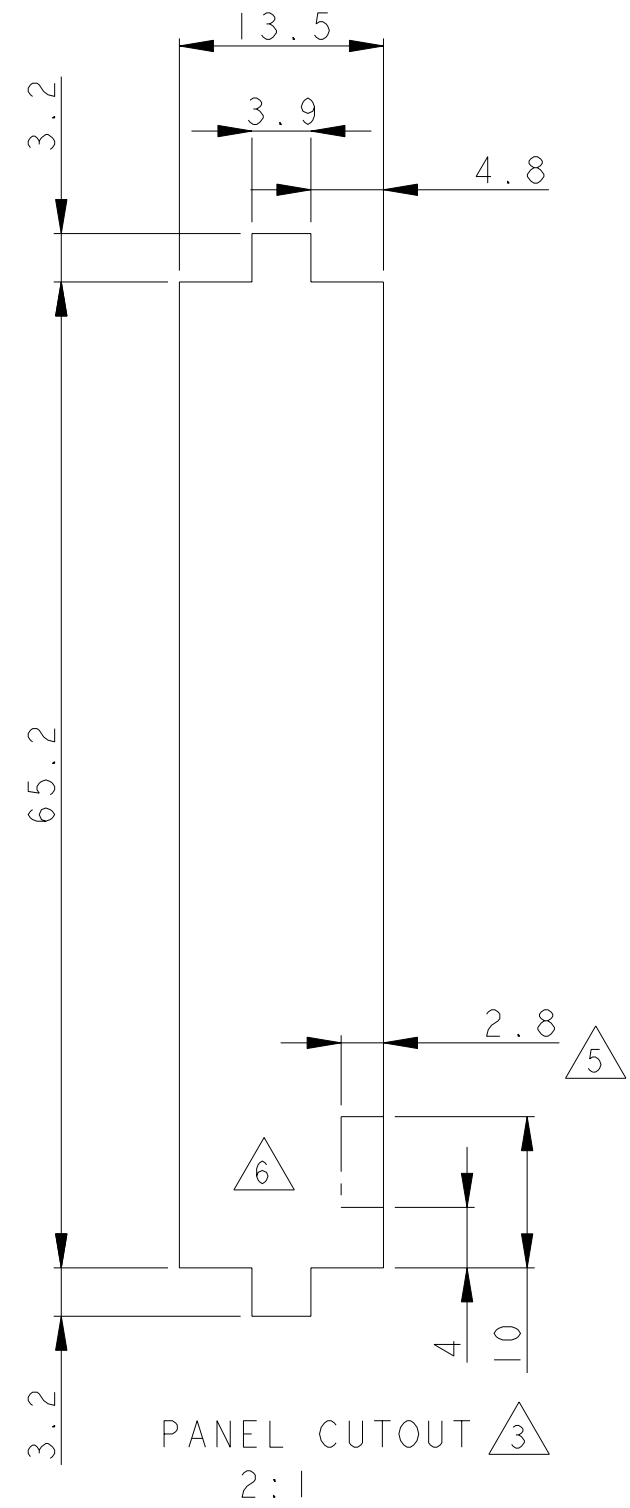
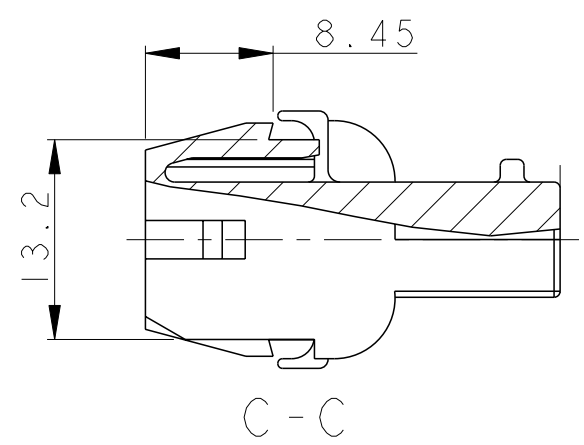
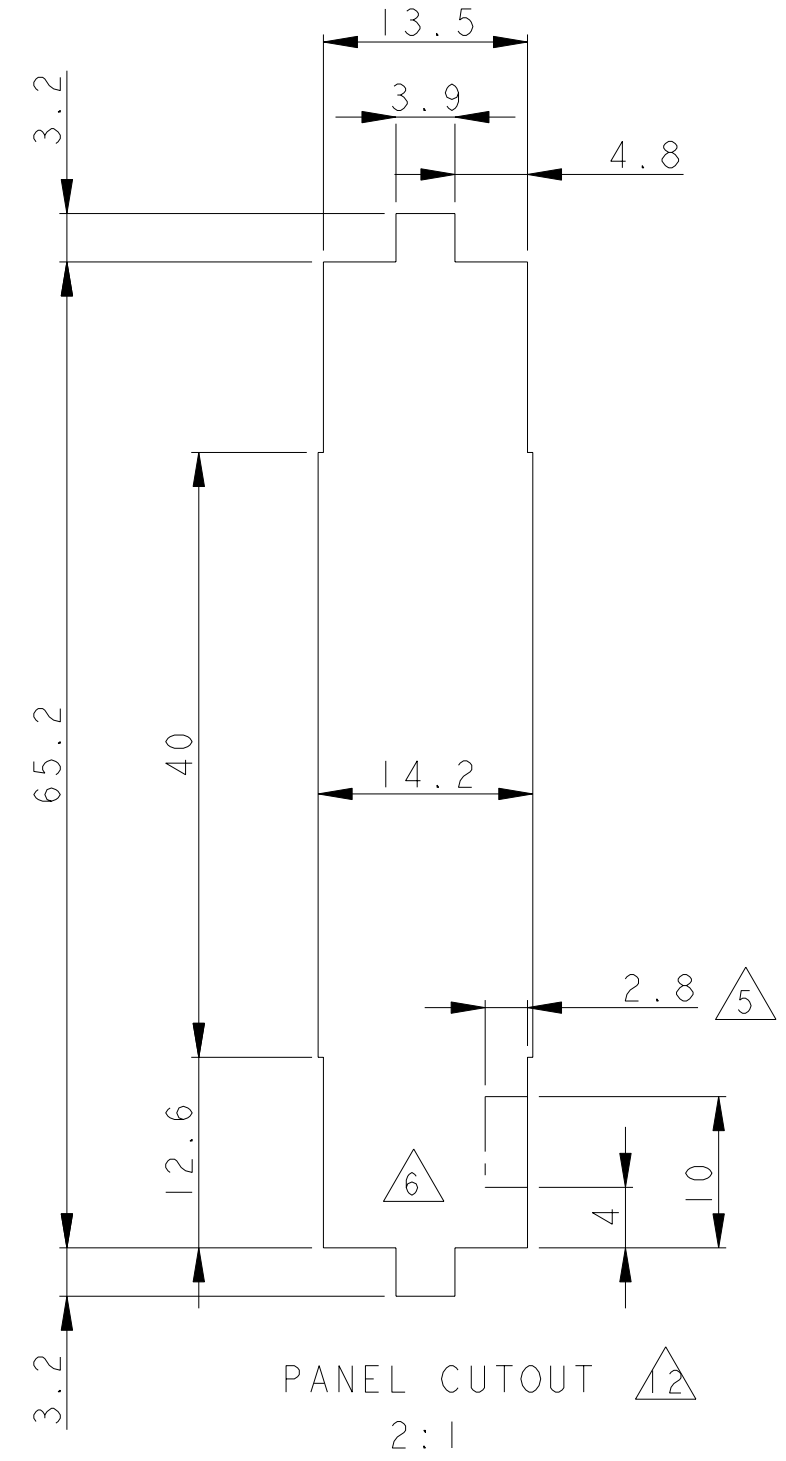
THIS DRAWING IS UNPUBLISHED. RELEASED FOR PUBLICATION
COPYRIGHT copyright.d8te ALL RIGHTS RESERVED.

REVISIONS				
P	LTR	DESCRIPTION	DATE	APVD
J4		REVISED PER ECR-21-116188	05NOV2021	SS VS
K		REVISED PER ECR-21-120470	12NOV2021	SS VS
K1		REVISED PER ECR-22-133106	06APR2022	PJ VS
K2		REVISED PER ECR-22-136591	04MAY2022	SS VS



- 1 SUITABLE FOR UMNL PIN AND SOCKET CONTACTS
- 2 SUITABLE FOR UMNL PLUG HOUSING PN 926302
- 3 RECOMMENDED PLATE THICKNESS 0.75-2.3mm
- 4 HOUSING TIGHT CLOSURE ARE INTRODUCED INTO PUNCHING DIRECTION
- 5 FOR POLARIZED USING OF THE HOUSINGS.
- 6 POSITION OF THE WAY 1 TO POLARIZED USING.
- 7 PHOSPHORUS AND HALOGEN FREE
- 8 BULK IN BAG AND SHIPPING CARTON ON 973057-2
- 9 GLOW-WIRE TEST 750°C(WITHOUT FLAME) ACCORDING TO IEC60335-1 EDITION 6/2001
- 10 PRELIMINARY PART NOT RELEASED FOR PRODUCTION
- 11 COLOR OF HOUSINGS MAY RANGE FROM CLEAR TO GREEN OR YELLOW DUE TO HYGROSCOPIC NATURE OF RESIN. HOWEVER IT DOESN'T AFFECT THE FORM. FIT AND FUNCTION OF THE PRODUCT.
- 12 ADD PANEL CUTOUT ONLY FOR LASER CUT PROCESS.
- 13 CSA CERTIFICATION LOGO LOCATED APPROXIMATELY AS SHOWN.
- 14 DIMENSIONS SHOWN REPRESENT PRODUCT IN DRY, AS MOLDED, CONDITION. ADDITIONAL 2% GROWTH DUE TO SUBSEQUENT MOISTURE ABSORPTION MAY OCCUR AND SHOULD BE ACCOUNTED FOR.

PANEL CUTOUT ONLY USE FOR LASER PROCESS



	COLOUR	MATERIAL	PART NUMBER
	NATURAL	PA66.UL94-V0 GWT 750 °C	926309-7
OBSOLETE	NATURAL	PA6. UL94-V0	926309-6
OBSOLETE	NATURAL	PA66 UL94-V2	926309-5
OBSOLETE	WHITE	PA6.6 UL94-V0	926309-4
	NATURAL	PA6.6 UL94-V0	926309-3
OBSOLETE	BLACK	PA6.6 UL94-V0	926309-2
OBSOLETE	NATURAL	PA66 UL94-V2	926309-1

THIS DRAWING IS A CONTROLLED DOCUMENT.

DWN MGT	11DEC2012	 TE Connectivity	NAME UMNL 10 WAY CAP HOUSING
CHK R.P	11DEC2012		
APVD R.P	11DEC2012		
DIMENSIONS: mm TOLERANCES UNLESS OTHERWISE SPECIFIED: 0 PLC ±0.2 1 PLC ±0.2 2 PLC ±0.2 3 PLC ± 4 PLC ± ANGLES ± FINISH SEE TABLE		PRODUCT SPEC 108-1031 APPLICATION SPEC 114-1010 WEIGHT -	SIZE A2 CAGE CODE C-926309 DRAWING NO - RESTRICTED TO -
MATERIAL REFER TABLE	SEE TABLE	CUSTOMER DRAWING	SCALE 1:1 SHEET 1 OF 1 REV K2

Printed on 12 May 2022 14:39 (India Standard Time) from TE429415