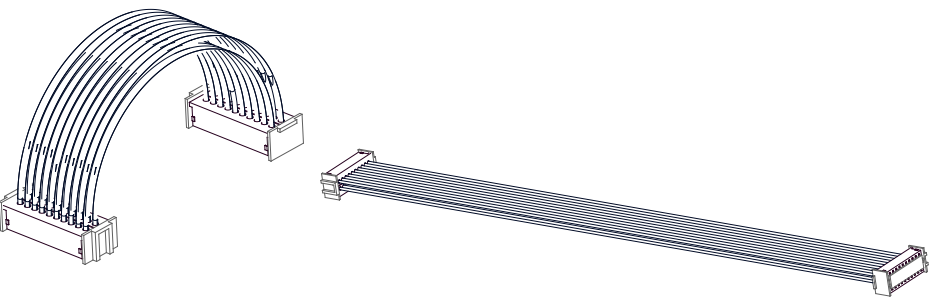
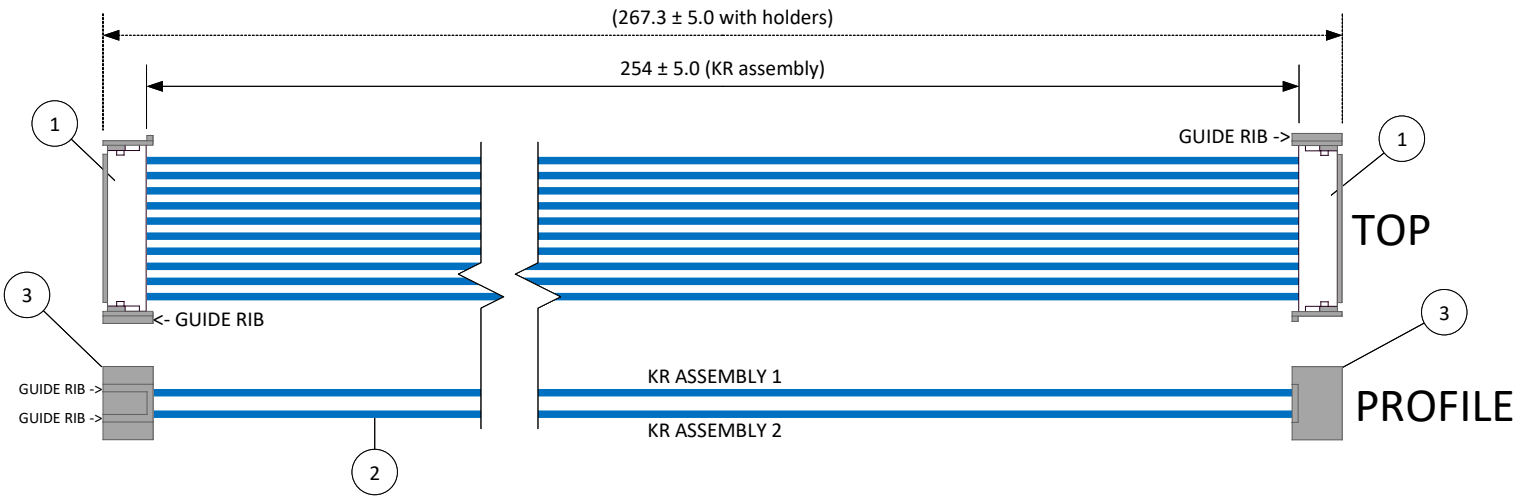


THIS DRAWING CONTAINS INFORMATION THAT IS PROPRIETARY TO J.S.T. AND SHALL NOT BE USED OR SHOWN WITHOUT WRITTEN PERMISSION.

| ITEM | QTY. | PART NO. | DESCRIPTION |
|------|----------|---------------|-----------------------|
| 1 | 4 | 10KR-6S-P | KR CONNECTOR |
| 2 | 5,280 mm | UL1061, 26AWG | BLUE |
| 3 | 2 | KRWH-20C-H | GRAY CONNECTOR HOLDER |



| Electrical Specifications |
|---------------------------|
| Current: 1.0A AC/DC |
| Voltage: 100V AC/DC |

| | | |
|--|--------------------|--|
| DIMENSIONS | SCALE | DESCRIPTION |
| All dimensions are in MM with a tolerance of +/- 5.0 unless otherwise specified. | 1: 1 | 2.0 mm Pitch KRW Catalog Standard Assembly - 10" Inside Length |
| DRAWN BY | ASSEMBLY PART NO. | |
| STEVEN PILKINGTON | A20KRW20KRW26E254C | |
| CHECKED BY | DRAWING NO. | DATE |
| CHELSEA COLE | GAM-1039 | 8/26/2021 |

| REV. | DESCRIPTION | DATE | BY |
|------|---------------------|------------|----|
| 1 | Revised part number | 10/12/2021 | SP |

4 | 3 | 2 | 1