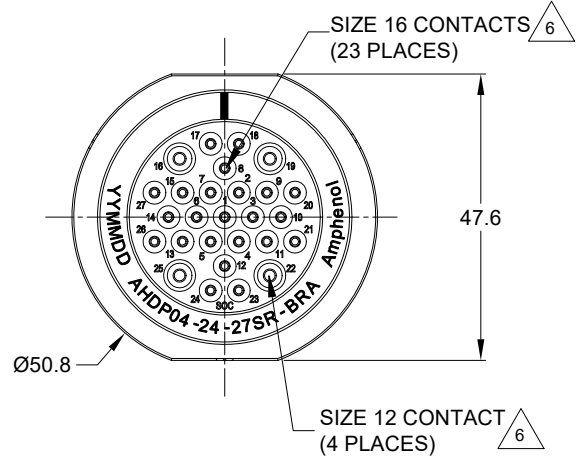
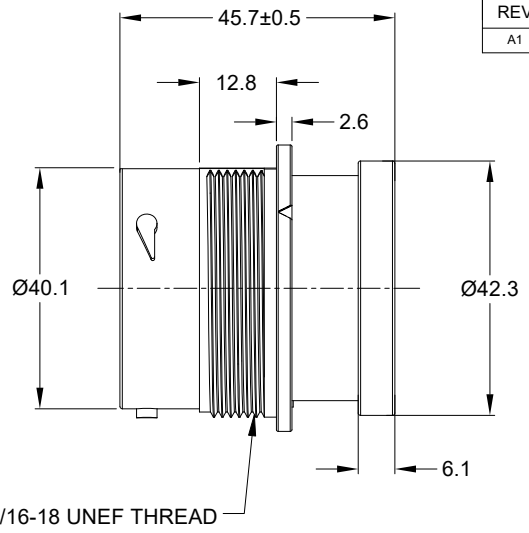
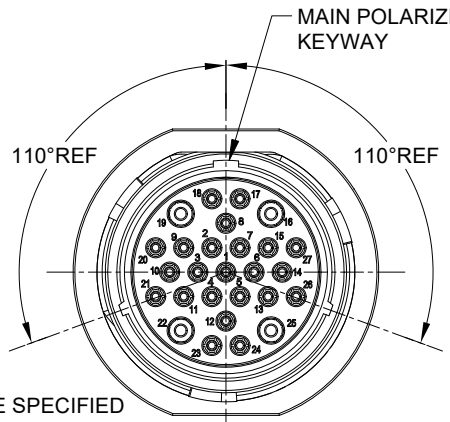


REVISIONS					
REV	ECO	DESCRIPTION	DATE	BY	APPR
A1	--	RELEASE NEW DRAWING	01/MAR/22	VITO	TOMMY

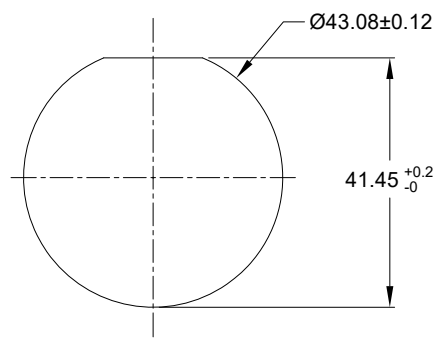


NOTES: UNLESS OTHERWISE SPECIFIED

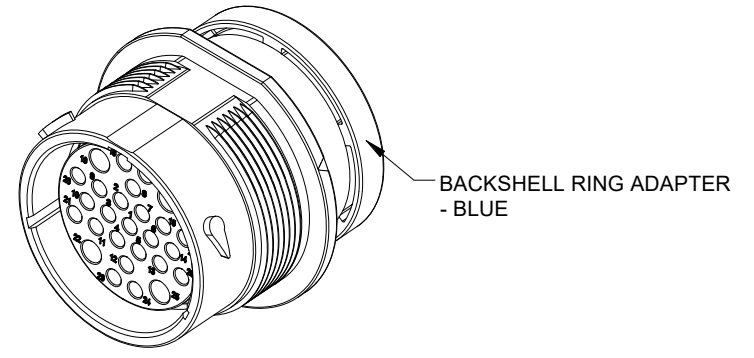
- MATERIAL:
HOUSING: THERMOPLASTIC; BLACK
SEAL: SILICONE RUBBER
- MODIFICATIONS: BACKSHELL RING ADAPTER (BRA);
REDUCED DIA. WIRE SEAL
- SPECIFICATIONS:
 - OPERATING TEMPERATURE: -55°C TO +125°C.
 - DIELECTRIC WITHSTANDING VOLTAGE: LESS THAN 2 MILLIAMPS CURRENT LEAKAGE @ 1500 VOLTS AC.
 - INSULATION RESISTANCE: 1000 MEGOHM MIN @ 25°C.
 - MOISTURE RESISTANCE:
IP68(IM OF WATER FOR A PERIOD OF 24 HOURS,MATED CONDITION);
IP69K (MATED CONDITION)
 - MATING CYCLE DURABILITY: 100 CYCLES
 - RoHS COMPLIANT
- MATING PART: AHDP06-24-27P* (* = SEAL TYPE)
- ALL DIMENSIONS ARE FOR REFERENCE USE ONLY.

6 CONTACT SIZE AND WIRE RANGE:

CONTACT SIZE	MIN. INSUL O.D.	MAX. INSUL O.D.	TYPICAL WIRE RANGE	CURRENT RATING
16	1.35 mm (.053in)	2.62 mm (.103 in)	14-20 AWG (2.0-0.5mm ²)	13 AMPS
12	2.46 mm (.097in)	4.01 mm (.158 in)	10-14 AWG (6.0-2.0mm ²)	25 AMPS



RECOMMENDED PANEL MOUNTING HOLE
RECOMMENDED PANEL THICKNESS: 1.6 TO 4.7MM



QUANTITY	AHDP04-24-27SR-BRA PART NUMBER	DESCRIPTION	ITEM

SIGNATURES			DATE
DRAWN:	VITOLI		01/MAR/22
CHECKED:	SULLENZHANG		02/MAR/22
ENGINEER:			
APPROVAL:	TOMMY XIE		03/MAR/22

MATERIAL SPECIFICATIONS:	
WEIGHT:	56.4g

MATERIALS LIST			
Amphenol			
Sine Systems - www.amphenol-sine.com 44724 Morley Drive Clinton Township, MI 48036			
27POS, RECEPTACLE, SOCKET, SIZE 24, RD SEAL, BRA, DURAMATE AHDP			
SIZE	TYPE	DWG NO.	REVISION
B	C-	AHDP04-24-27SR-BRA	A1
SCALE:	NONE	DURAMATE	SHEET 1 OF 1

7. RECEPTACLE IS SUPPLIED WITH DUST CAP.

TITLE: 27POS, RECEPTACLE SOCKET, SIZE 24, RD SEAL, BRA, DURAMATE AMP
DWG NO.: AHDP04-24-27SR-BRA
REV: A1
SH: 1
OF: 1