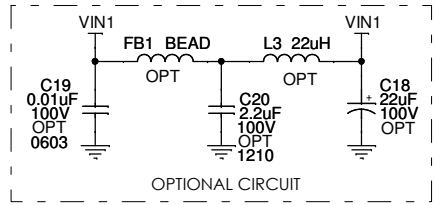
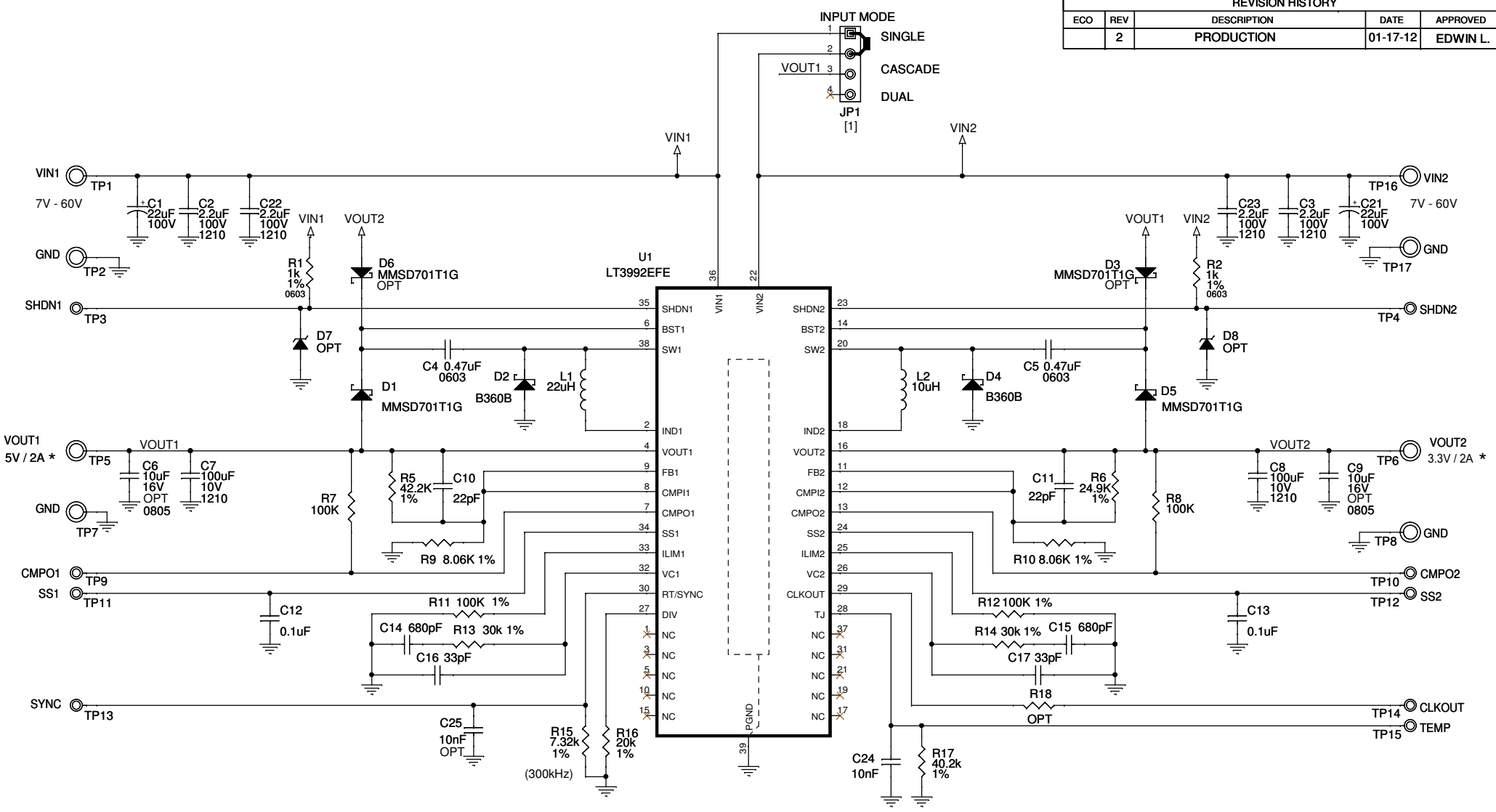


REVISION HISTORY				
ECO	REV	DESCRIPTION	DATE	APPROVED
	2	PRODUCTION	01-17-12	EDWIN L.



NOTES: UNLESS OTHERWISE SPECIFIED,
 [1] SEE QUICK START GUIDE FOR DETAILS ON JP1 SETTING AND INPUT VOLTAGE IMPLEMENTATION ORDER.
 2. ALL CAPACITORS ARE 0402.
 ALL RESISTORS ARE 0402.
 * SEE QUICK START GUIDE FOR DETAILS ON CURRENT CAPABILITY.

CUSTOMER NOTICE LINEAR TECHNOLOGY HAS MADE A BEST EFFORT TO DESIGN A CIRCUIT THAT MEETS CUSTOMER-SUPPLIED SPECIFICATIONS; HOWEVER, IT REMAINS THE CUSTOMER'S RESPONSIBILITY TO VERIFY PROPER AND RELIABLE OPERATION IN THE ACTUAL APPLICATION. COMPONENT SUBSTITUTION AND PRINTED CIRCUIT BOARD LAYOUT MAY SIGNIFICANTLY AFFECT CIRCUIT PERFORMANCE OR RELIABILITY. CONTACT LINEAR TECHNOLOGY APPLICATIONS ENGINEERING FOR ASSISTANCE.		APPROVALS PCB DES. JW APP ENG. EDWIN L.			
		TITLE: SCHEMATIC DUAL MONOLITHIC STEP-DOWN CONVERTER		1630 McCarthy Blvd. Milpitas, CA 95035 Phone: (408)432-1900 www.linear.com Fax: (408)434-0507 LTC Confidential-For Customer Use Only	
THIS CIRCUIT IS PROPRIETARY TO LINEAR TECHNOLOGY AND SUPPLIED FOR USE WITH LINEAR TECHNOLOGY PARTS.		SCALE = NONE		SIZE N/A IC NO. LT3992EFE REV. 2 DEMO CIRCUIT 1537A	
		DATE: Tuesday, January 31, 2012		SHEET 1 OF 1	