

#### Features

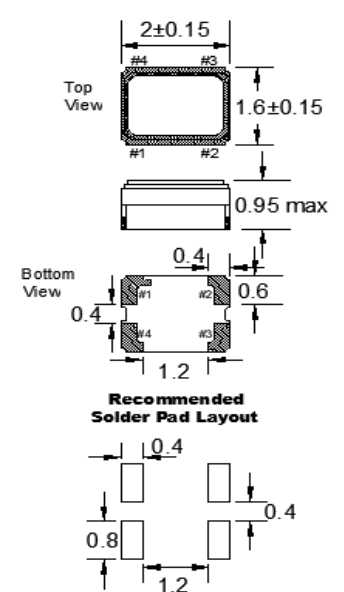
- Analog Temperature Compensation

STANDARD SPECIFICATIONS	
PARAMETERS	MAX (Unless otherwise noted)
Frequency Range (Fo)	8.000 ~ 52.000MHz
Temperature Range	
Operating (T <sub>OPR</sub> )	-30°C ~ +85°C
Storage (T <sub>STG</sub> )	-40°C ~ +85°C
Supply Voltage (V <sub>DD</sub> )	1.8V±5% ~ 3.0V±5% <sup>1</sup> ( See options below)
Input Current (I <sub>DD</sub> )	
8.0 ~ 32.0MHz	1.5 mA
>32.0 ~ 52.0MHz	2.0 mA
Initial Frequency Tolerance @ 25°C (after reflow) (VCTCXO: V <sub>c</sub> = 0.5VDD) <sup>2</sup>	±2 PPM
Frequency Stability	
Over Temperature Range	±0.5 PPM
Over Supply Voltage Change (V <sub>DD</sub> ±5%)	±0.1 PPM
Over Load Change [10kΩ//10pF]±10%	±0.1 PPM
Output Waveform (Clipped Sine)	
Peak-to-Peak Level (V <sub>p-p</sub> )	0.8V min
Output Load	(10kΩ//10pF)±10%
Pullability (VCTCXO) <sup>2</sup>	
V <sub>DD</sub> = 1.8V: V <sub>c</sub> = 0.9V±0.8V	±8 ~ ±13 PPM nom
V <sub>DD</sub> = 3.0V: V <sub>c</sub> = 1.5V±1.5V	
Aging per year	±1.0 PPM
Reflow Soldering Temp	260°C / 10 Seconds x 2
Moisture Sensitivity Level (MSL)	1
Termination Finish	Au over Ni

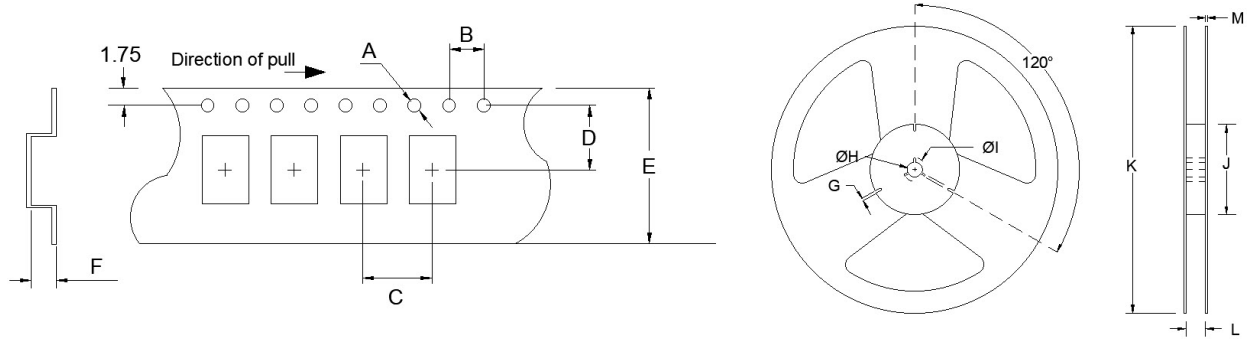
<sup>1</sup>VCTCXO only operable at specified voltage.

<sup>2</sup>For proper operation, a control voltage (V<sub>c</sub>) must be applied to pin 1 on VCTCXO's.

Note: A DC-Cut capacitor (1000pF) should be connected to the output.

DIMENSIONS / MECHANICAL SPECIFICATIONS
 <p><b>Recommended Solder Pad Layout</b></p> <p>Dimensions are in millimeters.</p> <p>VCTCXO</p> <p>#1 V<sub>c</sub>                      #3 Output</p> <p>#2 GND                      #4 V<sub>DD</sub></p>
Note: Dimensional drawing is for reference to critical specifications defined by size measurements. Certain non-critical visual attributes, such as side castellations, etc. may vary.

TAPE SPECIFICATIONS (mm)							REEL SPECIFICATIONS (mm)						
A	B	C	D	E	F	REEL QTY	G	H	I	J	K	L	M
ø1.5	4.0	4.0	3.5	8.0	1.4	-T3 = 3,000 -T2 = 2,000 -T1 = 1,000	2.5	ø13	ø21	ø60	ø180	9.0	1.4



Available Options & Part Identification						
Sample PN: <u>FT1GVKUK38.4-T3</u>						
F	T1GV	K	U	K	38.4	-T3
<u>Fox</u>	<u>Model Number</u> T1GV = VCTCXO	<u>Tolerance</u> K = 1.8V±5% D = 3.0V±5%	<u>Stability</u> U = ±.05PPM	<u>Operating Temperature</u> K = -30 to +85°C	<u>Frequency (MHz)</u>	<u>Values Added Options</u> Blank = Bulk T1 = 1,000 pcs T2 = 2,000 pcs T3 = 3,000 pcs

Reliability Test Conditions
Please contact Abracon Quality Assurance department