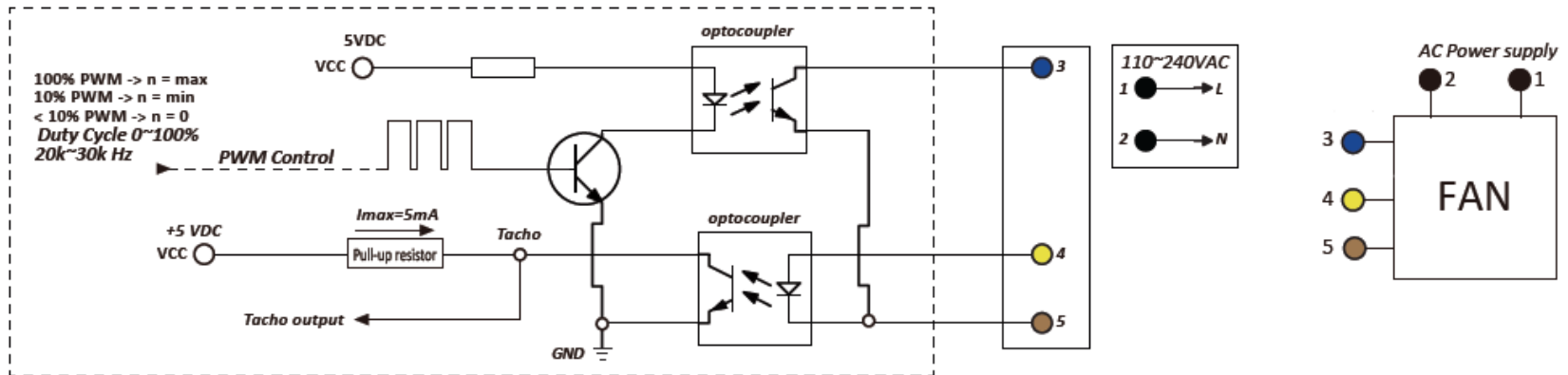


LPH Series EC Fan

Signal & PWM Connection Diagram



1. Line or Neutral (Black)*
 2. Line or Neutral (Black)*
 3. PWM Control (Blue)
 4. Tachometer (Yellow)
 5. Ground (Brown)
- *See fan faceplate for AC voltage range