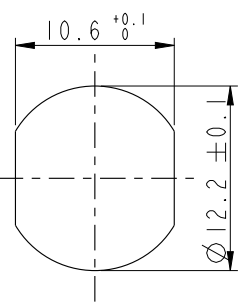
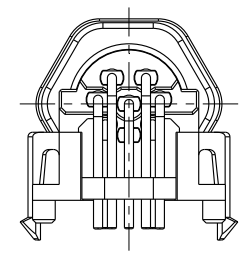
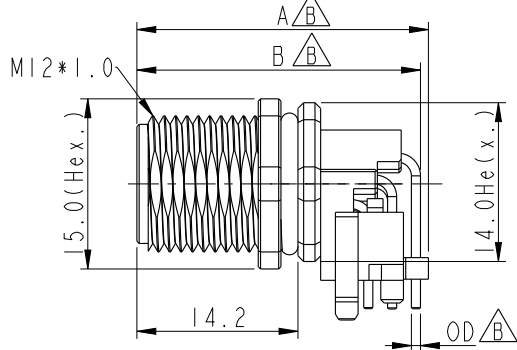
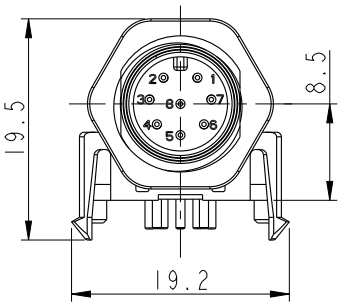
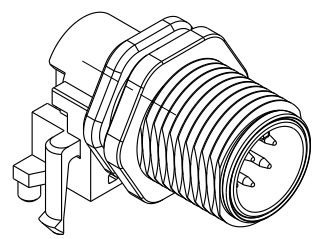
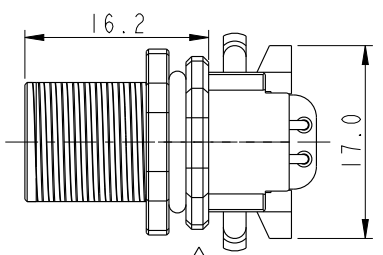


THIS DOCUMENT IS SUBJECT TO CHANGE WITHOUT NOTICE. IT IS CONFIDENTIAL AND A PROPERTY OF AMPHENOL LTW. DISCLOSURE TO THIRD PARTY HAS TO BE AUTHORIZED BY AMPHENOL LTW.

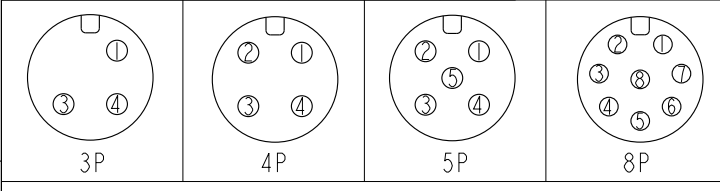
REV.	ECN NO.	DATE	SIGN	DESCRIPTION
B	LEN1741194~97	2017/04/11	Jinhai	Add The Size Table
C	C200275	2020/03/12	Nan_Su	△C*1



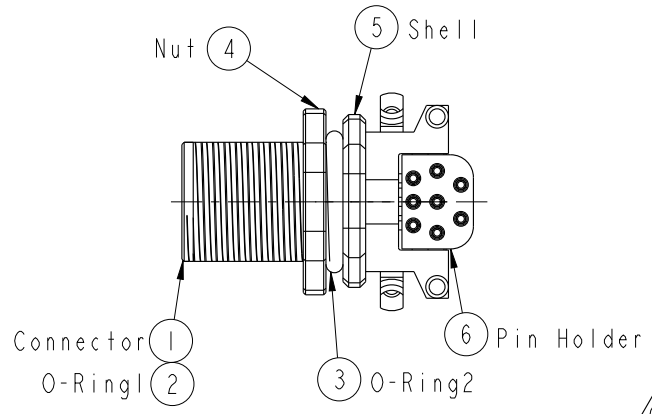
Recommended Panel Cut-Out



M12A-03PMMR-SF7003	25.9	24.8	1.0	△B
M12A-04PMMR-SF7003	25.9	24.8	1.0	
M12A-05PMMR-SF7003	25.9	24.8	1.0	
M12A-08PMMR-SF7003	25.7	25.0	0.8	
Item No.	A	B	OD	



Pin Assignment Front View



Note:

- * (⊘) Important Dimension To Check.
- * Waterproof Rating: IP67(Mated Waterproof)
- * Connector: PBT+PC, Black
- * Male Pins: Copper Alloy, Gold Plated
- * Shell: Zinc Alloy, Nickel Plated
- * Nut: Zinc Alloy, Nickel Plated
- * O-Ring1: Silicone, Black
- * O-Ring2: Silicone, Gray
- * Pin Holder: PBT+PC, Black
- * Rated Voltage: 3 & 4Pin 250V dc. or ac.
5Pin 60V dc. or ac.
8Pin 30V dc. or ac.
- * Rated Current: 3~5Pin 4A
8Pin 2A
- * For Panel Thickness Max. 3.0mm
- * For PCB Thickness Max. 1.6mm

UNIT: mm			TITLE M12, 90° Panel M Conn. M Pin
TOLERANCE .X ±0.25 .XX ±0.1 .XXX ±0.05 ANGLES ±1°	SCALE 3:2	SIZE A4	SHEET 1 OF 2
REV. C	WC-REV. A.3	QC: Inspection item	

Amphenol LTW
安費諾亮泰企業股份有限公司

ITEM NO.	DRAWN BY Jinhai	DATE 2017-04-11
DWG NO. M12A-XXPMMR-SF7003	CHECKED BY Feng-li	DATE 2017-04-11
CUSTOMER ALTW	APPROVED BY Jerry	DATE 2017-04-11

