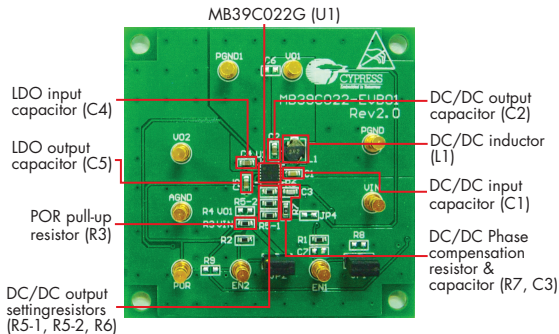


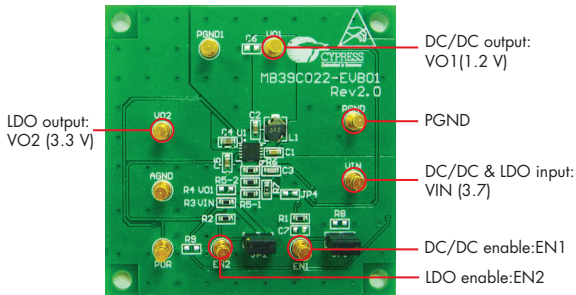
MB39C022G-EVB01 1CH BUCK DC/DC CONVERTER & 1CH LDO IC EVALUATION KIT



MB39C022G-EVB01 Features:

- 2 channels PMIC: Buck DC/DC converter & low noise LDO
- Input voltage range (VIN: DC/DC & LDO input): 2.5 V to 5.5 V
- Output voltage DC/DC: 1.2V (Typ), LDO: 3.3 V (Typ)
- Output current DC/DC: up to 600 mA, LDO: up to 300 mA
- Switching frequency: 2 MHz (Typ)
- POR output: Connected with VIN through pull-up resistor (R3)
- Size: 5.0 cm x 5.0 cm

MB39C022G-EVB01 1CH BUCK DC/DC CONVERTER & 1CH LDO IC EVALUATION KIT



Setup*

- 1 Connect VIN to a power supply and PGND to the ground.
- 2 Connect EN1 and EN2 to VIN.
- 3 Connect VO1 to a voltmeter.
- 4 Connect VO2 to a voltmeter.

Check*

- 1 Apply 3.7 V to VIN.
- 2 VO1 voltage (DCDC output) should be 1.2 V (typ) and VO2 voltage (LDO output) should be 3.3 V (typ).

*Do not supply power to VIN until setting is completed.

For the latest information about this kit and hardware files,
visit www.cypress.com/MB39C022G-EVB01