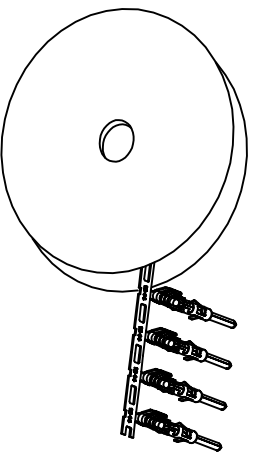


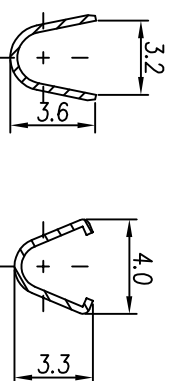
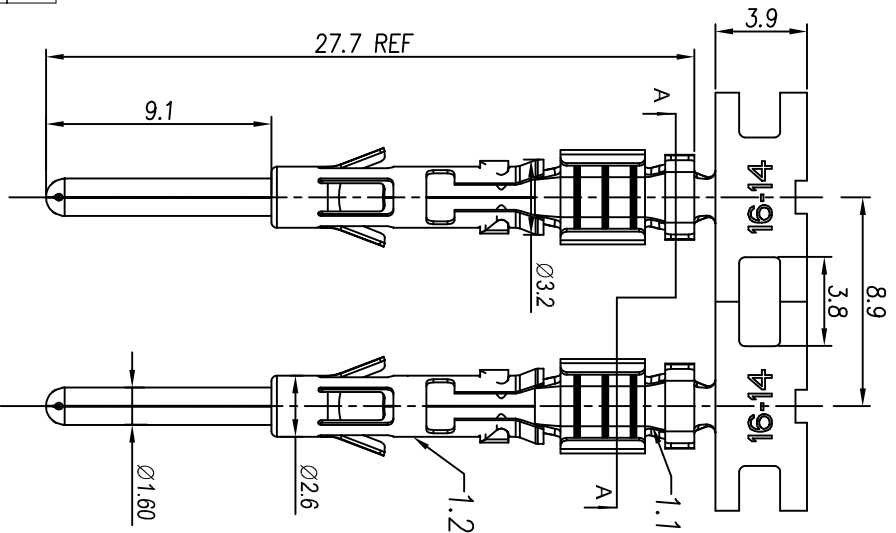
REVISIONS				
REV	ECO	DESCRIPTION	DATE	BY APPR
A1	-	RELEASED DRAWING	Jul-16-18	Flan Tommy



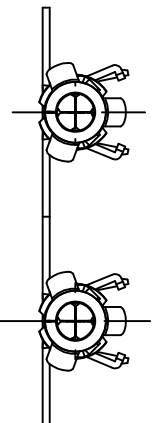
CONTACT ORIENTATION ON ROLL(3000PCS/COIL)

NOTES : (UNLESS OTHERWISE SPECIFIED)

1. MATERIAL :
  - 1.1. CONTACT BODY : COPPER ALLOY.
  - 1.2. OUTER SPRING : STAINLESS STEEL.
2. SPECIFICATIONS :
  - 2.1 CURRENT RATING : 13A MAX.
  - 2.2 TERMINATION TYPE : CRIMPING.
  - 2.3 WIRE RANGE : 14~16AWG.
  - 2.4 WIRE INSULATION DIA(MAX) :  $\phi$ 3.2mm.
3. ROHS COMPLIANT.
4. ALL DIMENSIONS ARE FOR REFERENCE USE ONLY.
5. AVAILABLE TOOLS :
  - 5.1 HAND CRIMPER : MFX-3954.
  - 5.2 CRIMP APPLICATOR : MFX-3957.
  - 5.3 EXTRACTION TOOL : QXRT16.



P/N	CONTACT PLATING(MATING AREA)
SP14M2T	TIN PLATING OVER NICKEL.
SP14M2N	NICKEL PLATING OVER COPPERIZE.
SP14M2F	GOLD FLASH PLATING OVER NICKEL.
SP14M2G5	5 $\mu$ "GOLD PLATING OVER NICKEL.
SP14M2G10	10 $\mu$ "GOLD PLATING OVER NICKEL.
SP14M2G15	15 $\mu$ "GOLD PLATING OVER NICKEL.
SP14M2G30	30 $\mu$ "GOLD PLATING OVER NICKEL.



QUANTITY	PART NUMBER	DESCRIPTION	ITEM
<b>MATERIALS LIST</b>			
UNLESS OTHERWISE SPECIFIED 1) All dimensions are in millimeters. 2) Tolerances are as follows: 1 PL DEC 20.30 Fractions 1/16" 3 PL DEC 20.08 Fractions 1/16" 3) Note reference = $\Delta$			
PROCESS SPECIFICATIONS: MATERIAL SPECIFICATIONS: CUSTOMER: Tommy APPROVAL: Jul-16-18		TEST DRAWINGS SPECIFICATIONS: SPECIFICATIONS AND PERFORMANCE DATA THE MANUFACTURING CORPORATION. ALL OF REPRODUCTION ARE LISTED. ALL MANUFACTURING VARIATIONS	
NEXT ASSY: SIGNATURES: DRAWN: Flan, CHECKED: Tom, ENGINEER: Tommy, APPROVAL: Jul-16-18, DATE: Jul-16-18		ECO-MATE PIN CONTACT, STAMPED, 16-14AWG, SIZE 16 <b>Amphenol</b> Sine Systems - www.amphenol-sine.com 44724 Morley Drive Clinton Township, MI 48036	
SCALE: NONE	SIZE: B	TYPE: C-	DWG NO: SP14M2XX
SHEET: 1	OF: 1	REV: A1	REVISION: A1