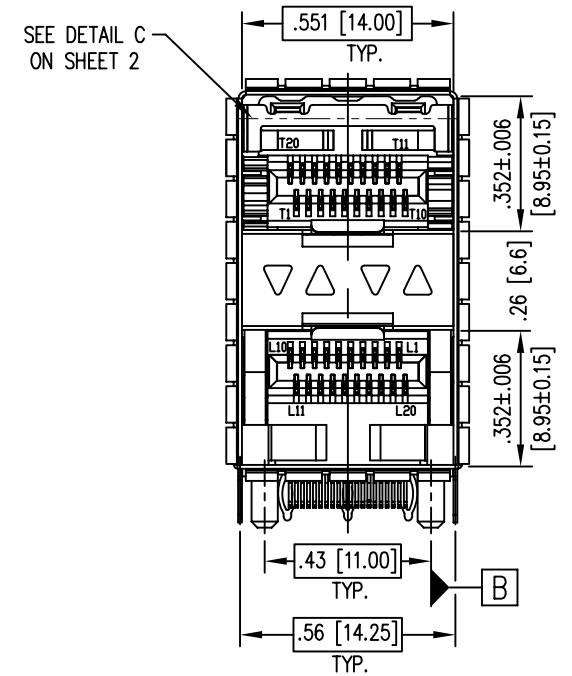
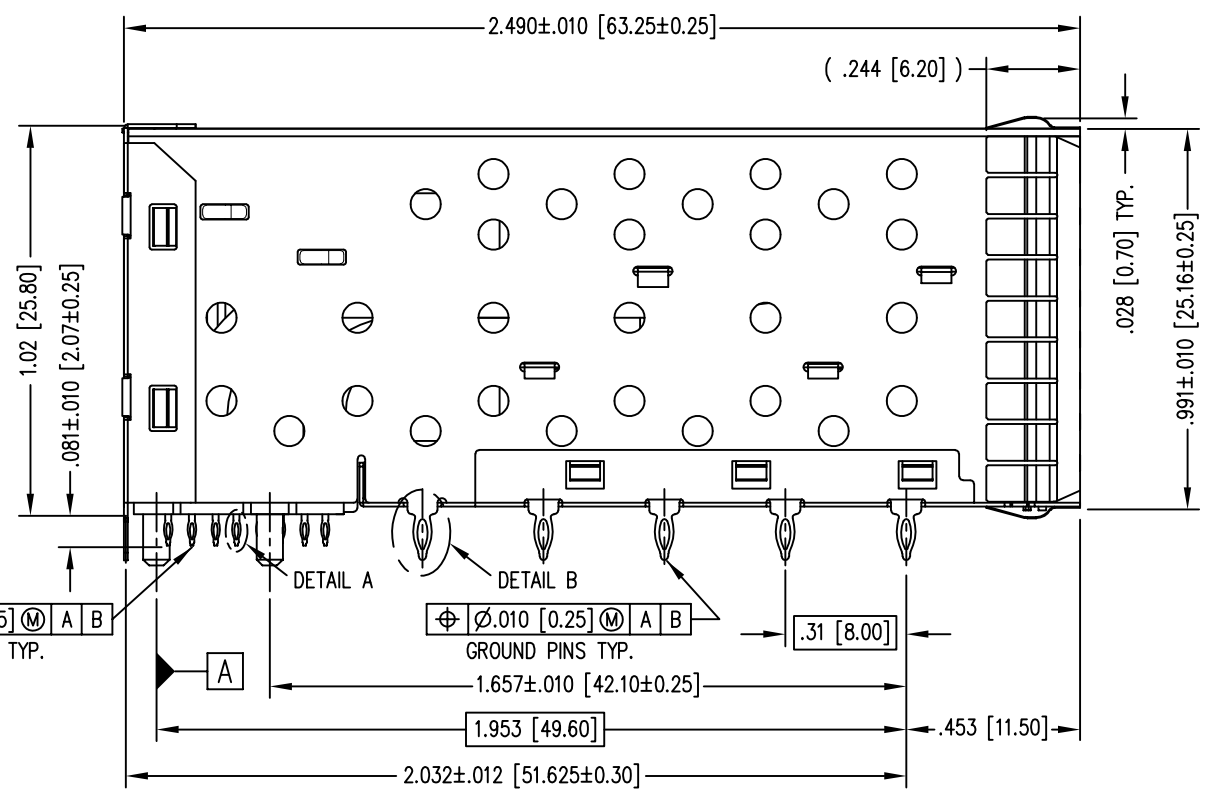
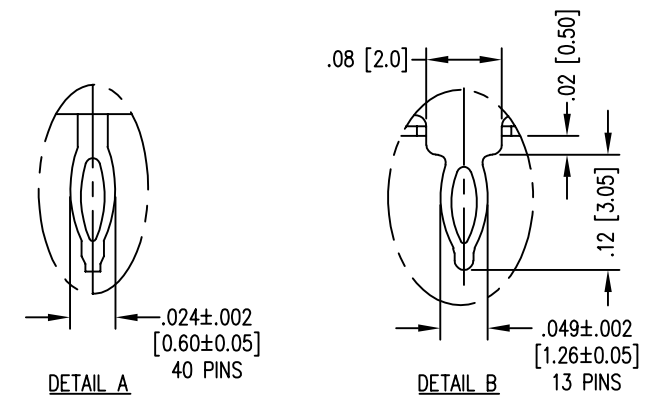
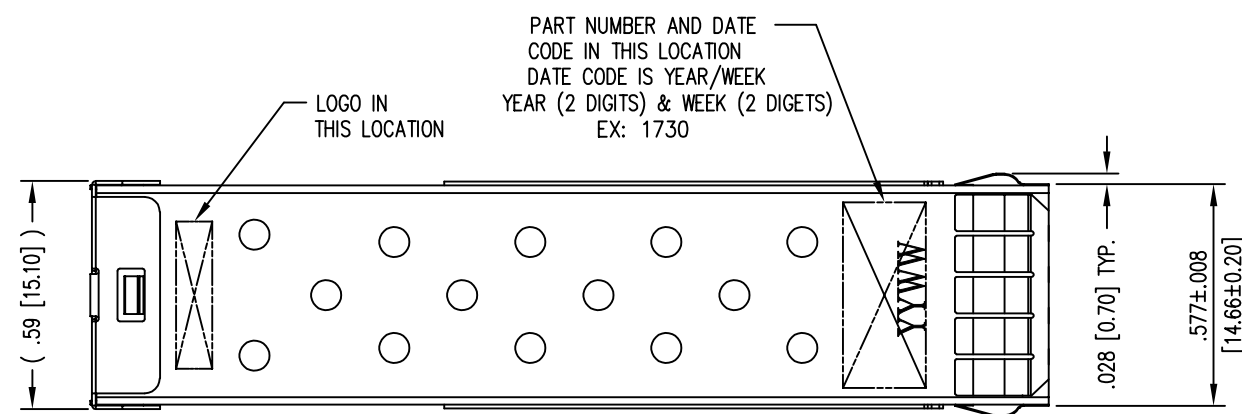


| DATE | REV | ECN | APP'D. BY |
|---------|-----|-------|-----------|
| 8-11-17 | A2 | 11061 | TRM |
| 8-16-17 | A3 | 11066 | TRM |
| | | | |
| | | | |



- NOTES:
- MATERIALS:
CONTACT: PHOSPHOR BRONZE
CONNECTOR HOUSING: LCP UL 94V-0 COLOR: BLACK
MOLDED INSERT: HIGH TEMP PLASTIC UL 94V-0 COLOR: BLACK
CAGE: COPPER ALLOY
LIGHT PIPES: POLYCARBONATE UL 94V-0 COLOR: CLEAR
LIGHT PIPE HOUSING: PBT UL 94V-0 COLOR: BLACK
EMI SPRINGS: COPPER ALLOY
 - PLATING:
PCB PINS: 0.0001 [2.54um] MINIMUM MATTE TIN
OVER 0.00005 [1.27um] MINIMUM NICKEL
CAGE: NICKEL
 - TEMPERATURE:
OPERATIONAL: -40°C~+85°C
STORAGE: -55°C~+105°C
 - FOR PRODUCT SPECIFICATIONS SEE PR043-01.
 - MATES WITH SFP MSA COMPLIANT TRANSCEIVERS.

| | |
|-----------------------------------|--------------|
| 30 MICRO-INCHES [0.76um] | SS-79100-010 |
| CONTACT PLATING IN MATING AREA | PART NUMBER |



THIRD ANGLE PROJECTION

DRAWING IS SUBJECT TO CHANGE WITHOUT NOTICE

UNLESS OTHERWISE SPECIFIED DIMENSIONS INCHES [METRIC] TOLERANCES ARE:

ANGLES ± 2°

1 PLC. DEC. ±.010" [±0.25]

2 PLC. DEC. ±.005" [±0.13]

3 PLC. DEC. ±.004" [±0.10]

DO NOT SCALE DRAWING

SHEET NO. 1 OF 4

1118 Susquehanna Trail South
Glen Rock, PA 17327-9199
(717) 235-7512
<http://www.stewartconnector.com>

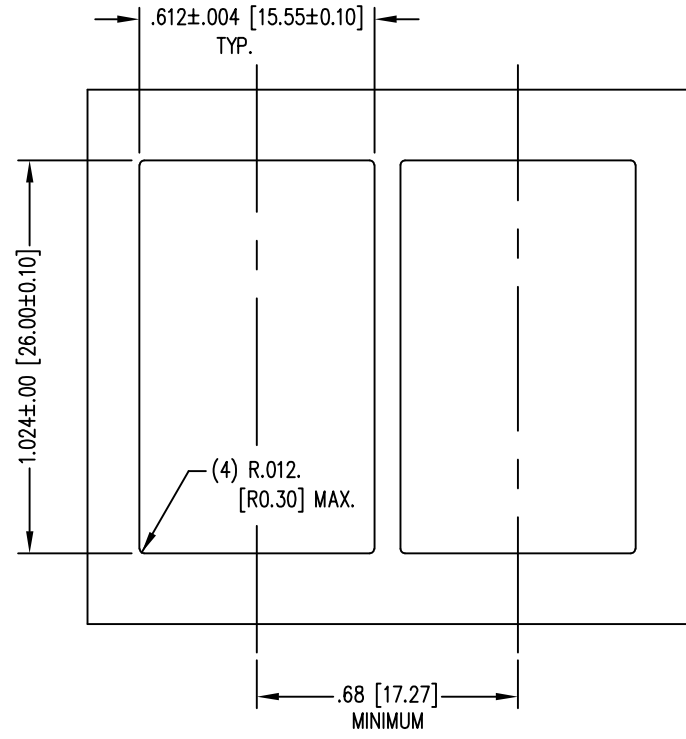
TITLE: SFP+ 2X1 CAGE W/LIGHT PIPES, PRESS FIT

THIS DRAWING AND THE SUBJECT MATTER SHOWN THEREON ARE CONFIDENTIAL AND THE PROPRIETARY PROPERTY OF STEWART CONNECTOR AND SHALL NOT BE REPRODUCED, COPIED, OR USED IN ANY MANNER WITHOUT PRIOR WRITTEN CONSENT OF STEWART CONNECTOR. ONE OR MORE U.S. PATENTS MAY APPLY TO THIS PRODUCT. FOR DETAILS, PLEASE VISIT: [HTTP://BELFUSE.COM/STEWART/STEWART_PATENTS/](http://BELFUSE.COM/STEWART/STEWART_PATENTS/)

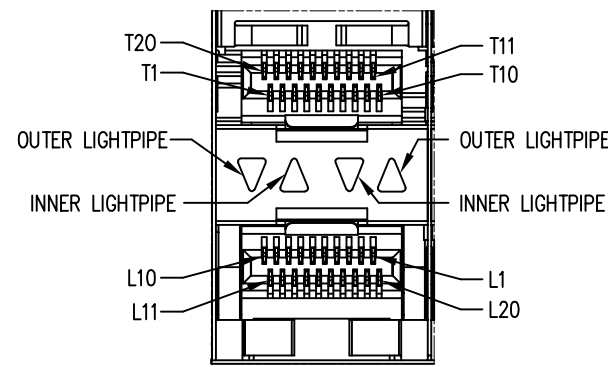
| | |
|------------------|---------------|
| DRN BY: TRM | DATE: 6-15-17 |
| APPD BY: DHG | DATE: 6-30-17 |
| DWG NO. CT790010 | REV. A3 |

B

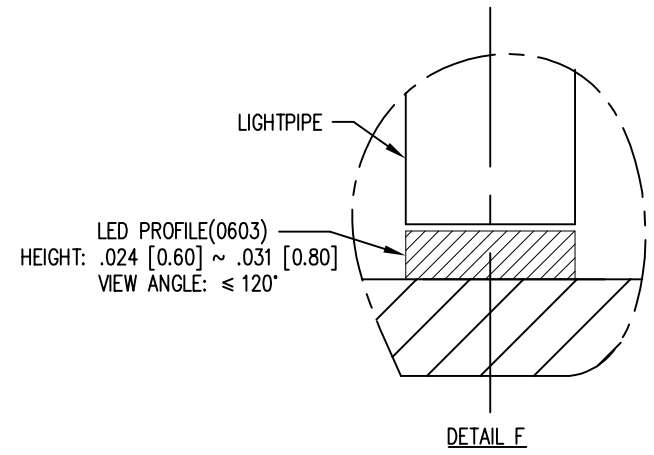
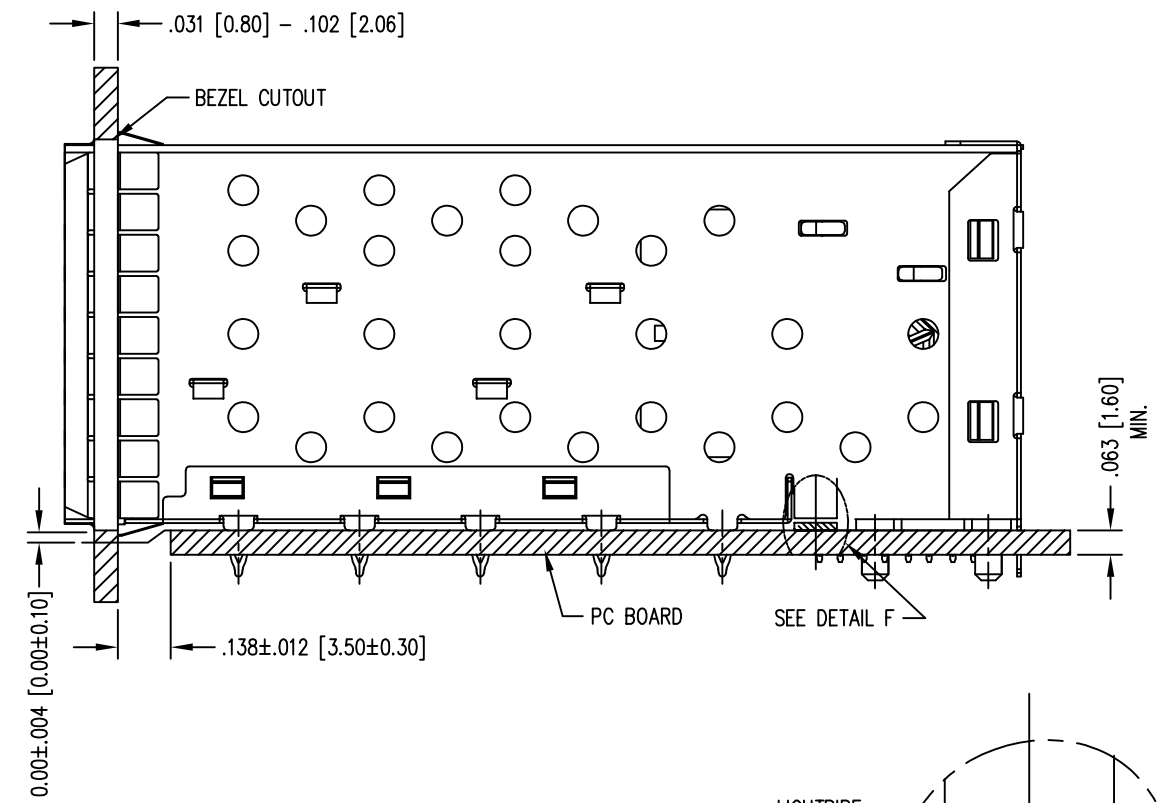
A



BEZEL CUT-OUT CENTER SPACING DETAIL
BEZEL THICKNESS: .03 [0.8] - .10 [2.6]



DETAIL C



LED PROFILE(0603)
HEIGHT: .024 [0.60] ~ .031 [0.80]
VIEW ANGLE: ≤ 120°

DETAIL F



| | |
|---|--------|
| THIRD ANGLE PROJECTION | |
| | |
| DRAWING IS SUBJECT TO CHANGE WITHOUT NOTICE | |
| UNLESS OTHERWISE SPECIFIED DIMENSIONS INCHES [METRIC] | |
| TOLERANCES ARE: | |
| ANGLES ± 2° | |
| 1 PLC. DEC. ±.010" [±0.25] | |
| 2 PLC. DEC. ±.005" [±0.13] | |
| 3 PLC. DEC. ±.004" [±0.10] | |
| DO NOT SCALE DRAWING | |
| SHEET NO. | 2 OF 4 |

| | | |
|--|---|---------------|
| 1118 Susquehanna Trail South Glen Rock, PA 17327-9199 (717) 235-7512 http://www.stewartconnector.com | TITLE: SFP+ 2X1 CAGE W/LIGHT PIPES, PRESS FIT | |
| | DRN BY: TRM | DATE: 6-15-17 |
| THIS DRAWING AND THE SUBJECT MATTER SHOWN THEREON ARE CONFIDENTIAL AND THE PROPRIETARY PROPERTY OF STEWART CONNECTOR AND SHALL NOT BE REPRODUCED, COPIED, OR USED IN ANY MANNER WITHOUT PRIOR WRITTEN CONSENT OF STEWART CONNECTOR. ONE OR MORE U.S. PATENTS MAY APPLY TO THIS PRODUCT. FOR DETAILS, PLEASE VISIT: HTTP://BELFUSE.COM/STEWART/STEWART_PATENTS/ | APPD BY: DHG | DATE: 6-30-17 |
| | DWG NO. CT790010 | REV. A3 |

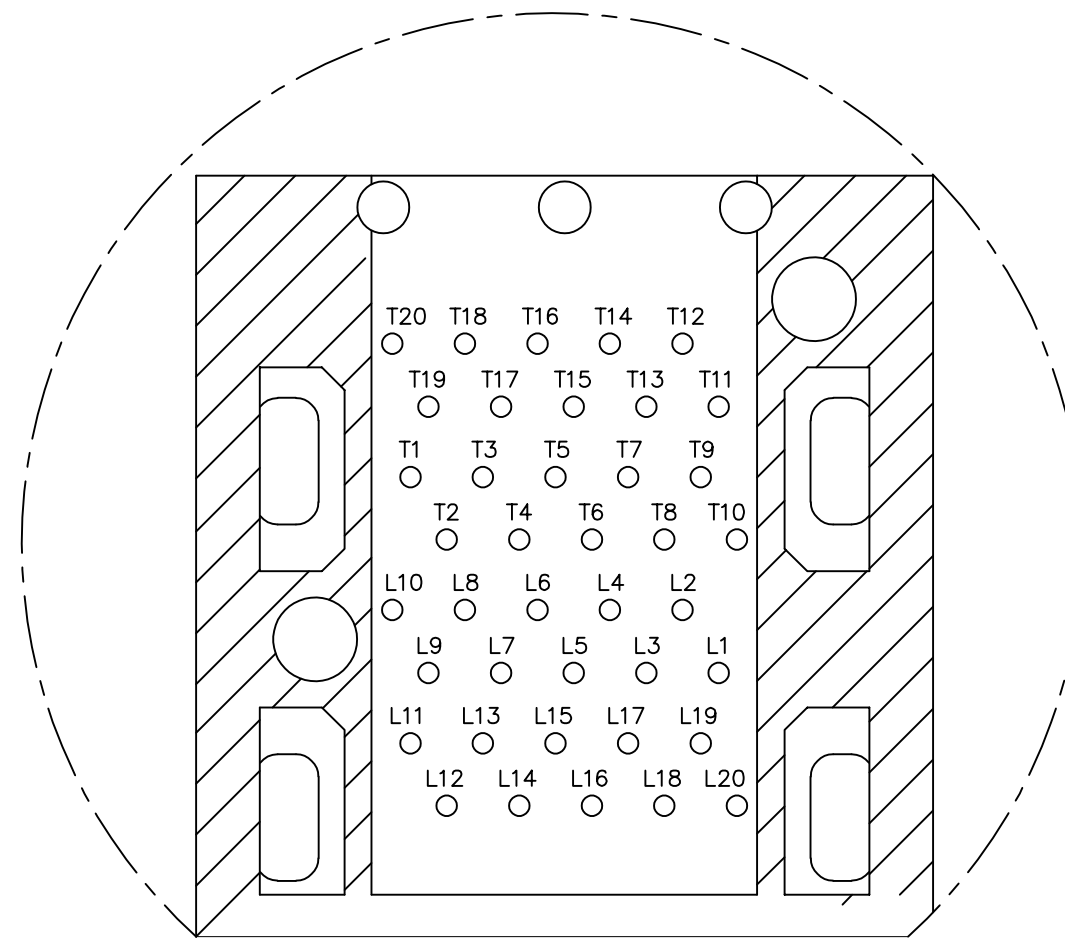
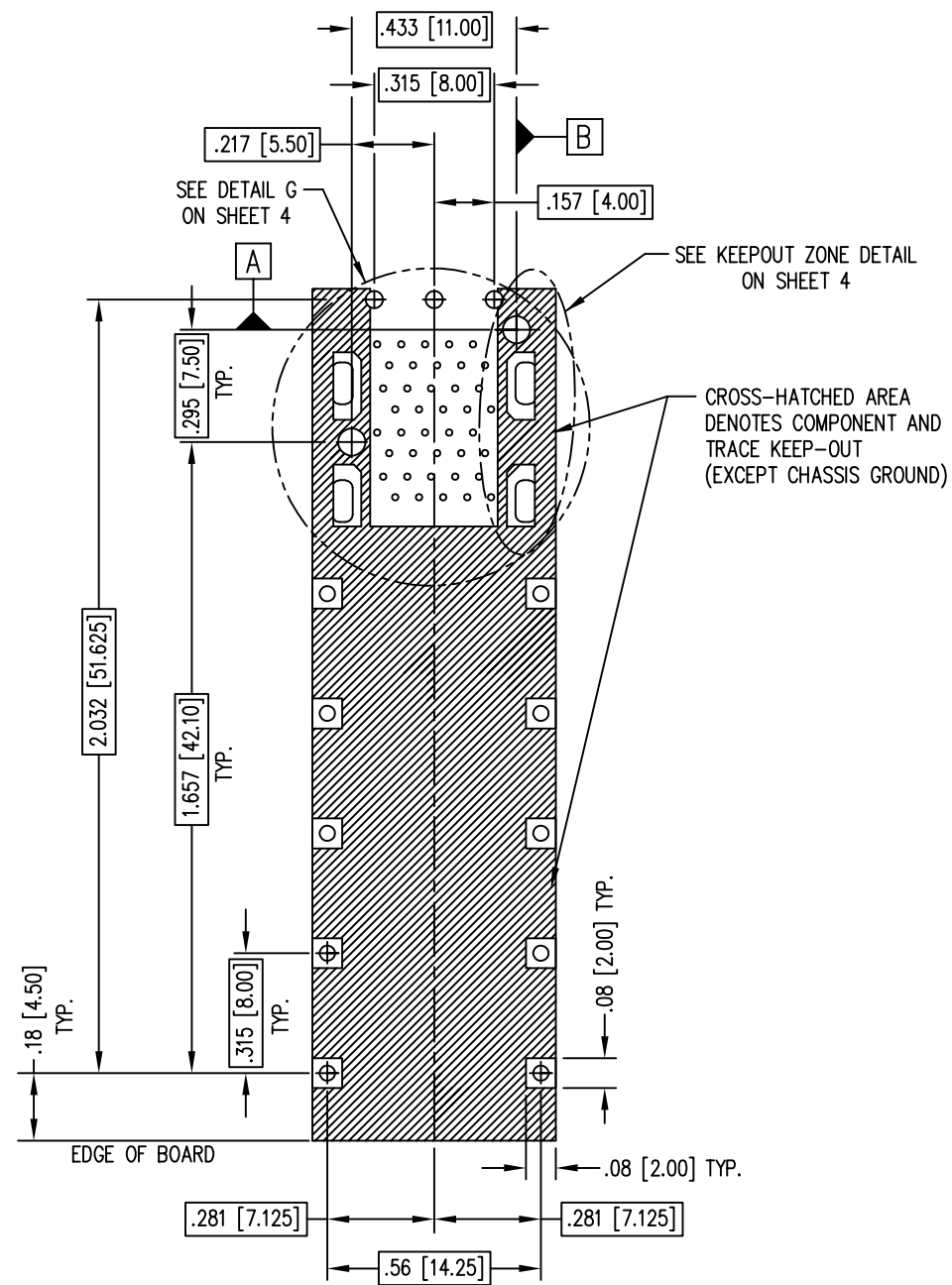
2

1

AutoCAD

B

A

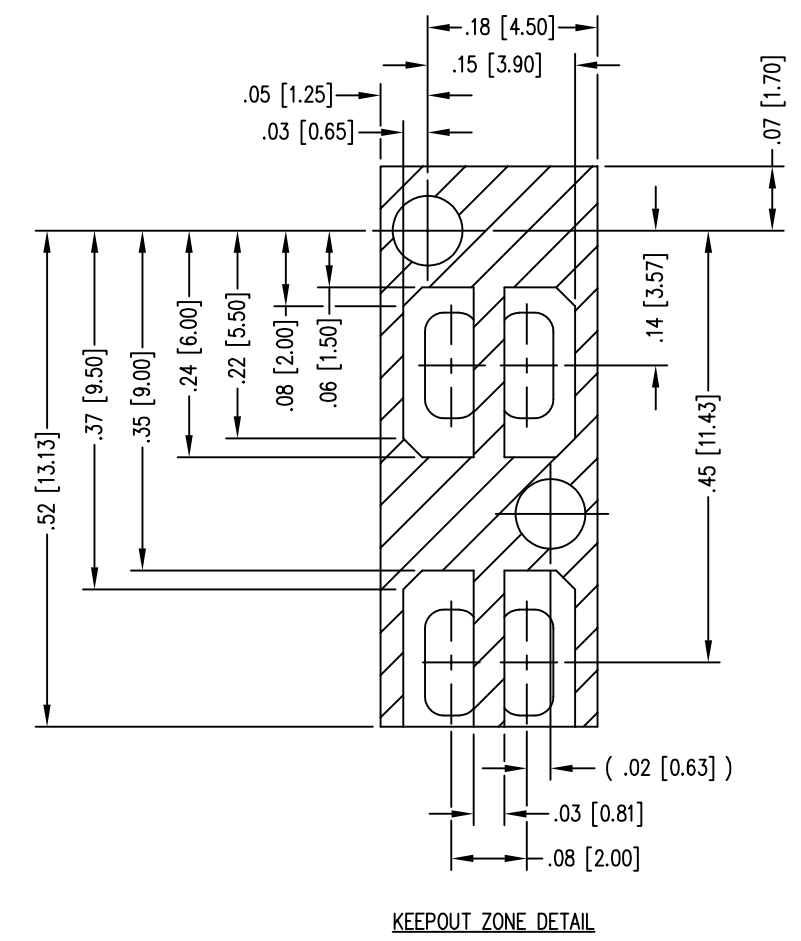
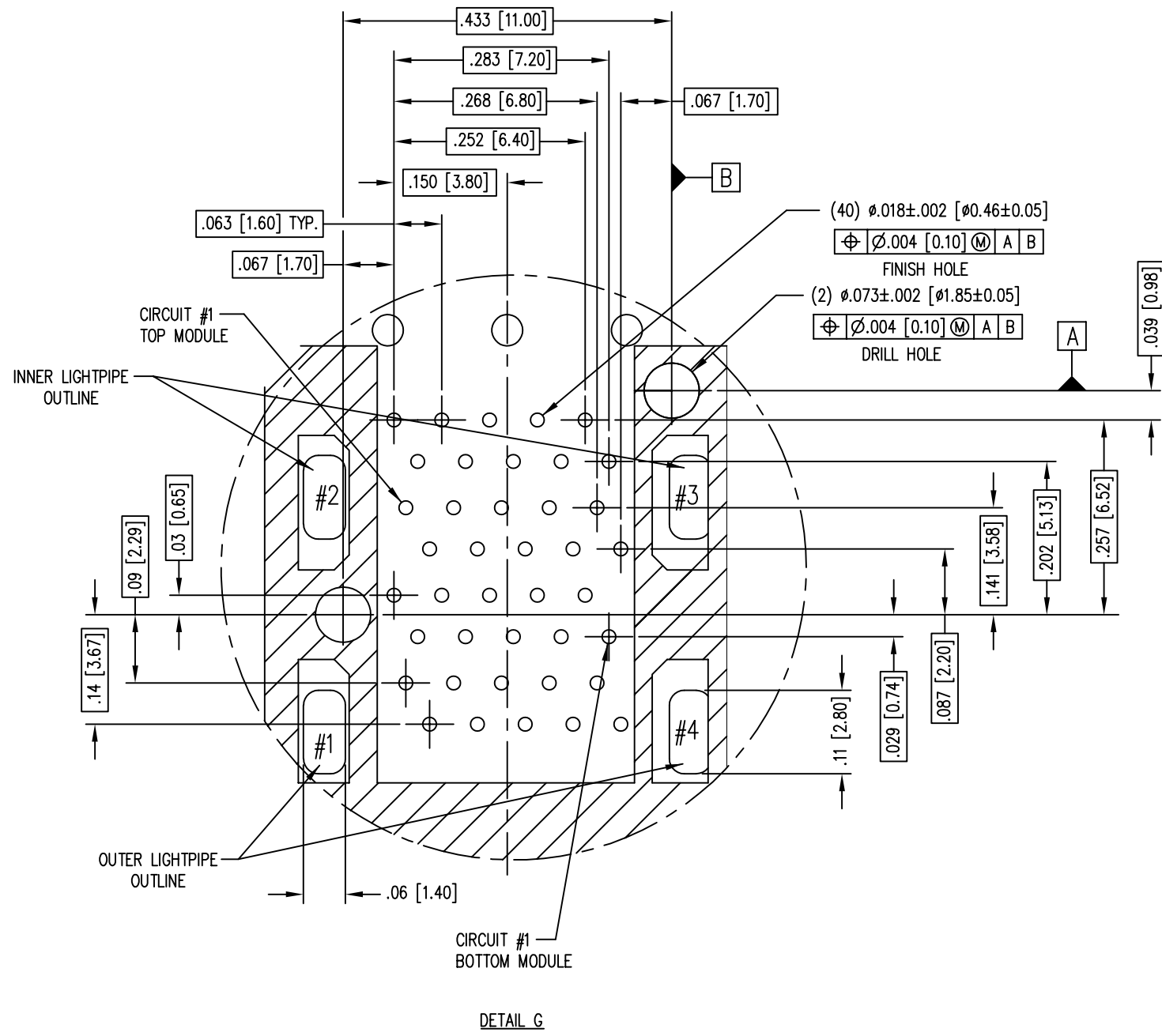


CONNECTOR PIN-OUT
COMPONENT SIDE OF BOARD

RECOMMENDED PCB LAYOUT - COMPONENT SIDE
 RECOMMENDED PCB THICKNESS - .104 [2.63]
 THE ENTIRE AREA OF THE CONNECTOR FOOTPRINT
 TO BE CONSIDERED THE KEEP OUT AREA FOR COMPONENTS
 (OTHER THAN LIGHTPIPE LEDS)
 THIS AREA IS INDICATED BY THE DASHED LINE



| | | | | | |
|--|--|--|---------------|--|---------------|
| THIRD ANGLE PROJECTION | | stewart CONNECTOR a bel group | | 11118 Susquehanna Trail South Glen Rock, PA 17327-9199 (717) 235-7512 http://www.stewartconnector.com | |
| DRAWING IS SUBJECT TO CHANGE WITHOUT NOTICE UNLESS OTHERWISE SPECIFIED DIMENSIONS INCHES [METRIC] TOLERANCES ARE: ANGLES ± 2° 1 PLC. DEC. ±.010" [±0.25] 2 PLC. DEC. ±.005" [±0.13] 3 PLC. DEC. ±.004" [±0.10] DO NOT SCALE DRAWING | | TITLE: SFP+ 2X1 CAGE W/LIGHT PIPES, PRESS FIT | | | |
| SHEET NO. 3 OF 4 | | THIS DRAWING AND THE SUBJECT MATTER SHOWN THEREON ARE CONFIDENTIAL AND THE PROPRIETARY PROPERTY OF STEWART CONNECTOR AND SHALL NOT BE REPRODUCED, COPIED, OR USED IN ANY MANNER WITHOUT PRIOR WRITTEN CONSENT OF STEWART CONNECTOR. ONE OR MORE U.S. PATENTS MAY APPLY TO THIS PRODUCT. FOR DETAILS, PLEASE VISIT: HTTP://BELFUSE.COM/STEWART/STEWART_PATENTS/ | | DRN BY: TRM | DATE: 6-15-17 |
| | | APPD BY: DHG | DATE: 6-30-17 | | |
| | | DWG NO. CT790010 | REV. A3 | | |



| | | | |
|---|--|---|---|
| <p>THIRD ANGLE PROJECTION</p> <p>DRAWING IS SUBJECT TO CHANGE WITHOUT NOTICE</p> <p>UNLESS OTHERWISE SPECIFIED DIMENSIONS INCHES [METRIC]</p> <p>TOLERANCES ARE:</p> <p>ANGLES ± 2°</p> <p>1 PLC. DEC. ±.010" [±0.25]</p> <p>2 PLC. DEC. ±.005" [±0.13]</p> <p>3 PLC. DEC. ±.004" [±0.10]</p> <p>DO NOT SCALE DRAWING</p> <p>SHEET NO. 4 OF 4</p> | <p>stewart CONNECTOR a bel group</p> <p>11118 Susquehanna Trail South Glen Rock, PA 17327-9199 (717) 235-7512 http://www.stewartconnector.com</p> | <p>TITLE: SFP+ 2X1 CAGE W/LIGHT PIPES, PRESS FIT</p> | |
| | | <p>THIS DRAWING AND THE SUBJECT MATTER SHOWN THEREON ARE CONFIDENTIAL AND THE PROPRIETARY PROPERTY OF STEWART CONNECTOR AND SHALL NOT BE REPRODUCED, COPIED, OR USED IN ANY MANNER WITHOUT PRIOR WRITTEN CONSENT OF STEWART CONNECTOR. ONE OR MORE U.S. PATENTS MAY APPLY TO THIS PRODUCT. FOR DETAILS, PLEASE VISIT: HTTP://BELFUSE.COM/STEWART/STEWART_PATENTS/</p> | <p>DRN BY: TRM DATE: 6-15-17</p> <p>APPD BY: DHG DATE: 6-30-17</p> <p>DWG NO. CT790010 REV. A3</p> |