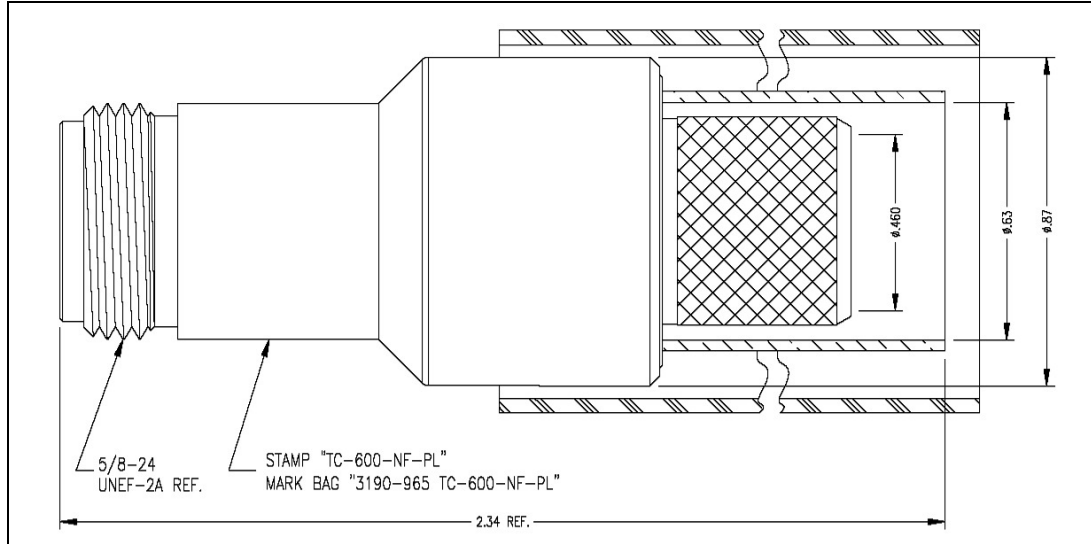


LTR	DESCRIPTION	DATE	BY
-	Released	3/14/02	JCL



**I. MATERIALS & FINISHES**

- center contact: Gold Plated Brass
- outer contact: Silver Plated Brass
- body: Silver Plated Brass
- crimp sleeve: Silver Plated Copper
- dielectric: Teflon® PTFE
- shrink sleeve: Adhesive Lined Polyolefin
- crimp size: .610" hex

**II. ELECTRICAL PROPERTIES**

- impedance: 50 ohms
- working voltage: 1000 vrms (max)
- vswr: 1.25:1 (max) up to 6 GHz
- insertion loss: 0.1 x √Fghz

Unless otherwise specified, dimensions are in inches. Tolerances are applicable when specified.

These drawings and specifications contain proprietary information which is the property of Times Microwave Systems.

Approvals		
Drawn	JCL	3/14/02

**TIMES MICROWAVE SYSTEMS**  
 Wallingford, CT 06492  
 (203) 949-8400; (203) 949-8423.Fax  
 www.timesmicrowave.com

**TC-600-NF-PL**  
 Type-N Female (jack)  
 for LMR-600-LLPLCable

Size A	CAGE CODE <b>68999</b>	Drawing No.: <b>3190-965</b>
--------	---------------------------	---------------------------------

Scale: NA	Rev. ( )	Sheet: 1 of 1
-----------	----------	---------------