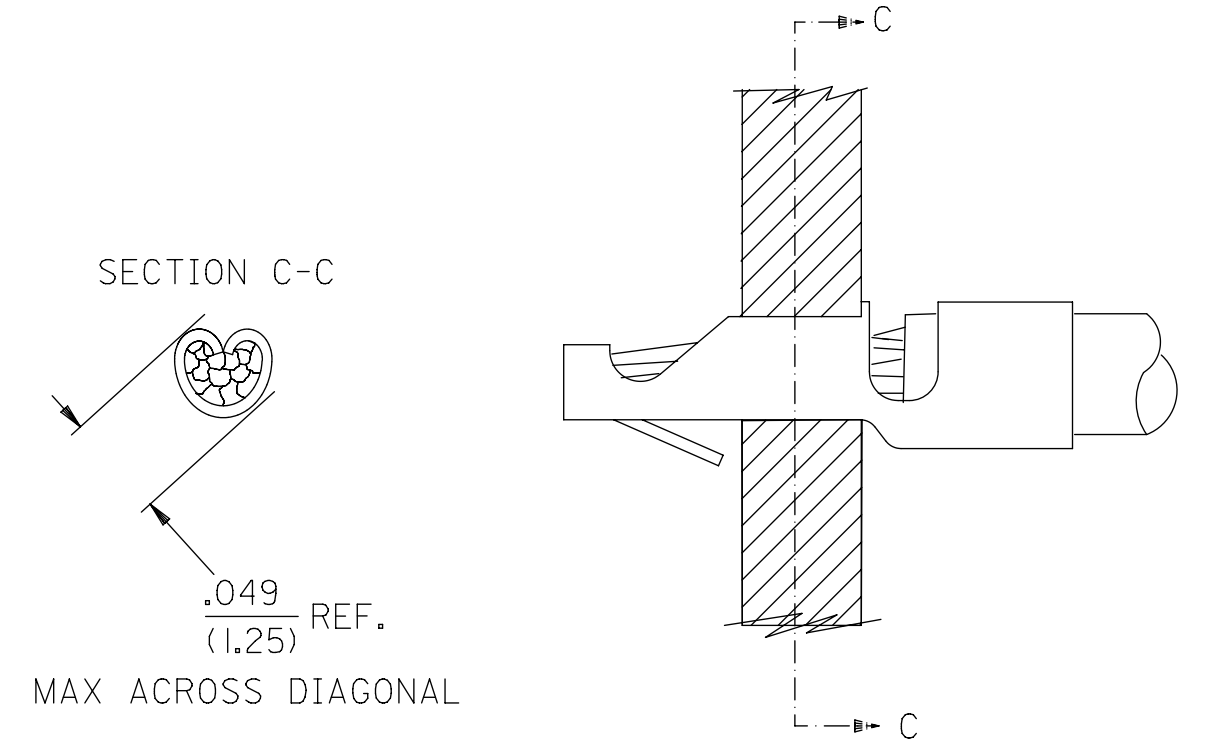
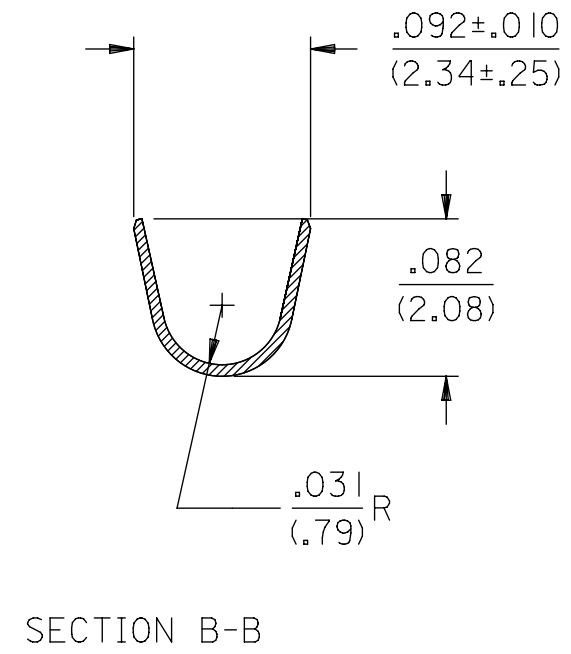
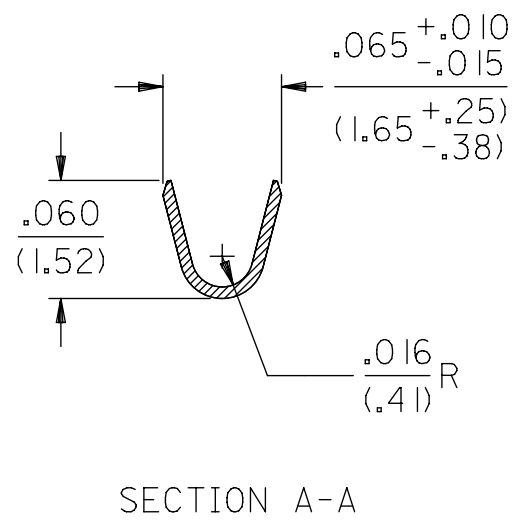
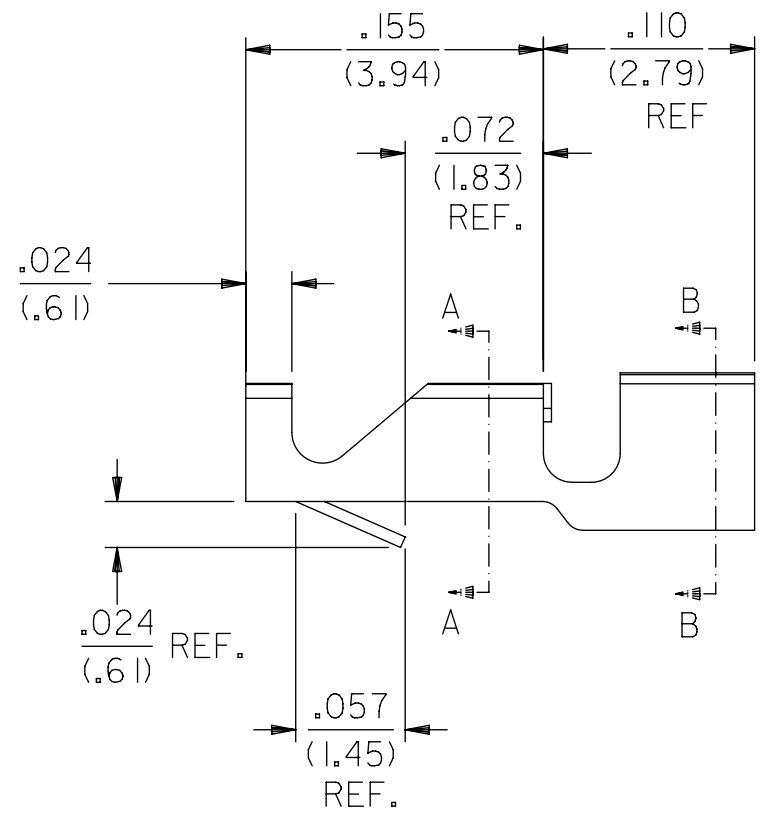
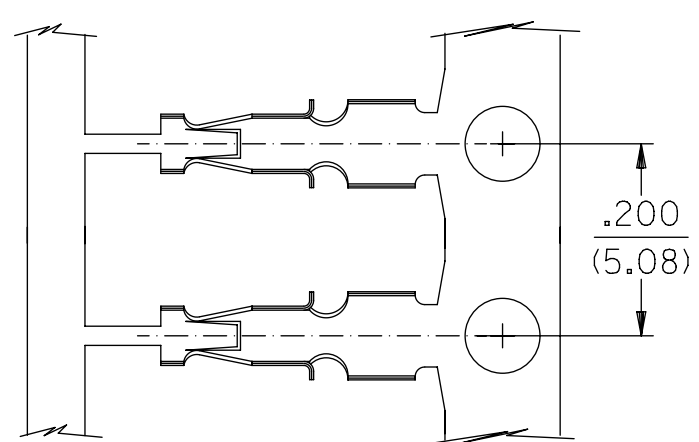
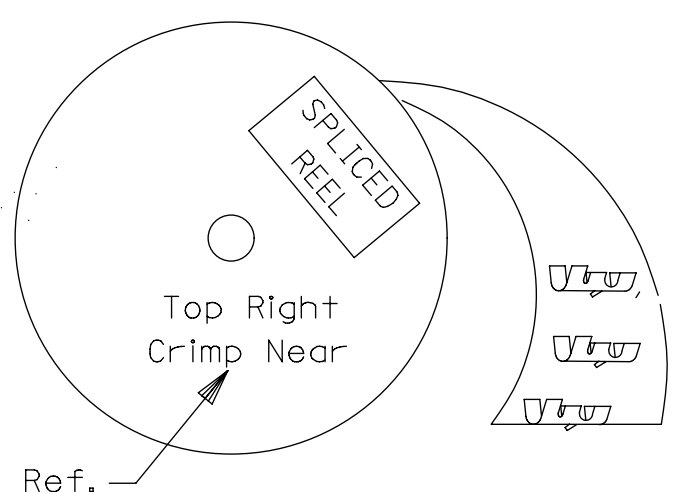


- NOTES:
1. MATERIAL: .006/(0.15) THICK BRASS
 2. FINISH: P909 OVERALL HOT TIN DIP: .000100/(0.00254) MIN.
 3. PRODUCT SPECIFICATION: PS-4706-001
 4. PACKAGING SPECIFICATION: PK-4706-001
 5. TERMINAL FOR USE WITH 22-26 AWG STRANDED WIRE OR 22 AWG SOLID WIRE. INSULATION DIA. .060/(1.52) MAX.
 6. RECOMMENDED PC BOARD HOLE SIZE: .051 ±.002/(1.29 ± 0.05) DIA.
 7. RECOMMENDED PC BOARD THICKNESS: .062 ±.008/(1.57±0.20)
 8. TERMINALS CONFORM TO SOLDERABILITY SPECIFICATION SMES-152.
 9. THIS PART CONFORMS TO CLASS B REQUIREMENTS OF COSMETIC SPECIFICATION PS-45499-002.



| | | |
|-------------|--------------------|---------------------|
| PART NUMBER | ENGINEERING NUMBER | FINISH (SEE NOTE 2) |
| 40-08-0605 | 42001-0001 | P909 |



| | | | | | | | |
|--|---|--|-------------|--|-----------------------------|----------------|--|
| FUNCTIONAL SYMBOLS FA = 0 FC = 0 FP = 0 | THIS DRAWING CONTAINS INFORMATION THAT IS PROPRIETARY TO MOLEX ELECTRONIC TECHNOLOGIES, LLC AND SHOULD NOT BE USED WITHOUT WRITTEN PERMISSION | | | CURRENT REV DESC: REVISE NOTES ADD PK SPEC | | | |
| | DIMENSION UNITS | | SCALE | | EC NO: 708187 | | |
| | INCH/MM | | NTS | | DRWN: MKIPPER 2022/05/25 | | |
| | GENERAL TOLERANCES (UNLESS SPECIFIED) | | | | | | |
| DIVISIONAL SYMBOLS | 4 PLACES ± | | MM | | CHK'D: SSOUSEK 2022/06/14 | | |
| | 3 PLACES ± | | INCH | | APPR: FSMITH 2022/06/14 | | |
| | 2 PLACES ± | | 0.36 ± 0.01 | | INITIAL REVISION: | | |
| | 1 PLACE ± | | 0.25 ± 0.14 | | DRWN: RFC_PLMIMP 2018/09/22 | | |
| 0 PLACES ± | | 0.00 ± 0.00 | | APPR: YMARGULI 2001/09/07 | | | |
| ANGULAR TOL ± 0.5° | | DRAFT WHERE APPLICABLE MUST REMAIN WITHIN DIMENSIONS | | THIRD ANGLE PROJECTION | | DRAWING SERIES | |
| | | | | C-SIZE | | 42001 | |
| DOCUMENT NUMBER | | CUSTOMER | | DOC TYPE | | DOC PART | |
| SD-42001 | | GENERAL MARKET | | PSD | | 001 | |
| MATERIAL NUMBER | | CUSTOMER | | DOC TYPE | | DOC PART | |
| SEE CHART | | GENERAL MARKET | | PSD | | 001 | |
| SHEET NUMBER | | SHEET NUMBER | | SHEET NUMBER | | SHEET NUMBER | |
| 1 OF 1 | | 1 OF 1 | | 1 OF 1 | | 1 OF 1 | |