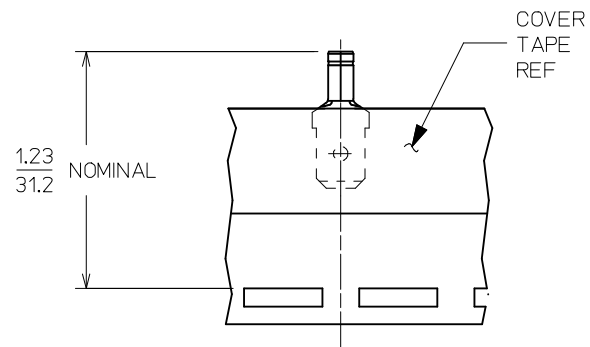
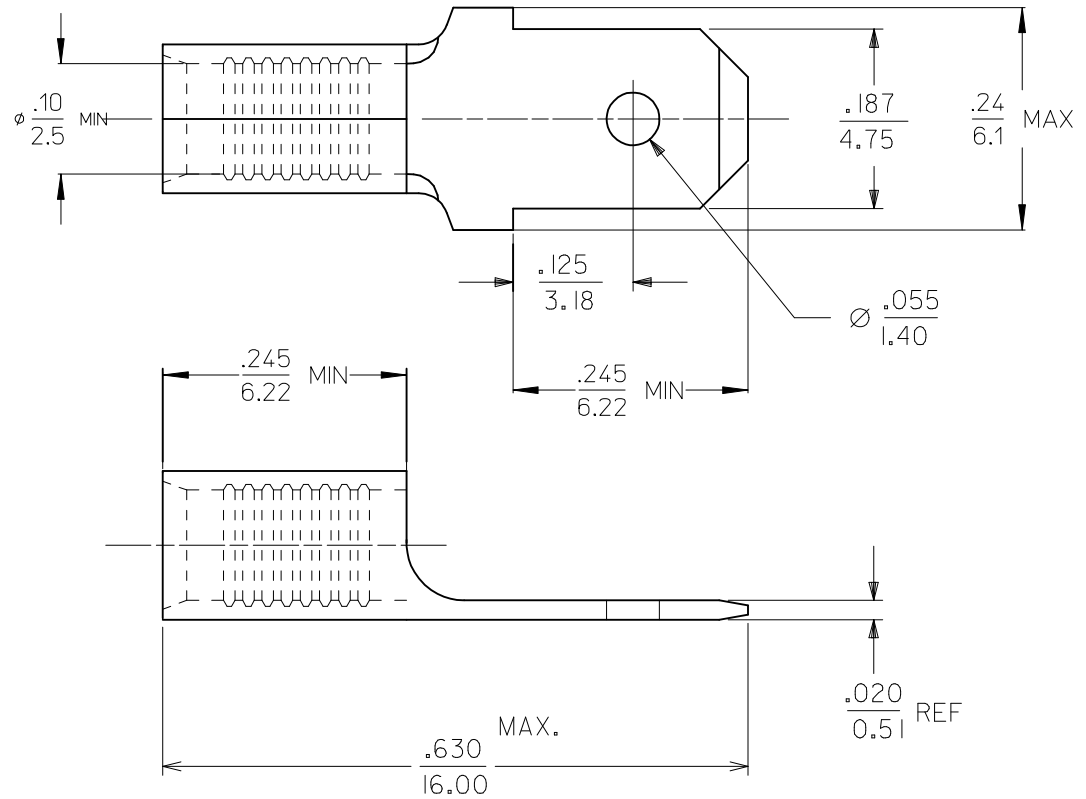


13	12	11	10	9	8	7	6	5	4	3	2	1
MATERIAL NUMBER	ENGINEERING NUMBER	FINISH	CARRIER									
190220123	MCT-17SN	TIN PLATING	LOOSE PIECE									
190220124	MCT-17SNT		TAPE MOUNTED									



190220124 (MCT-17SNT)
PARTS ON TAPE

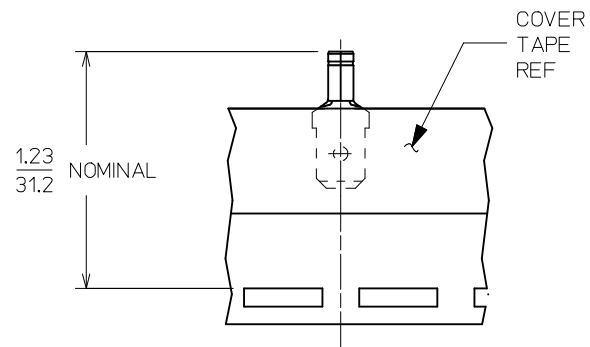


NOTES:

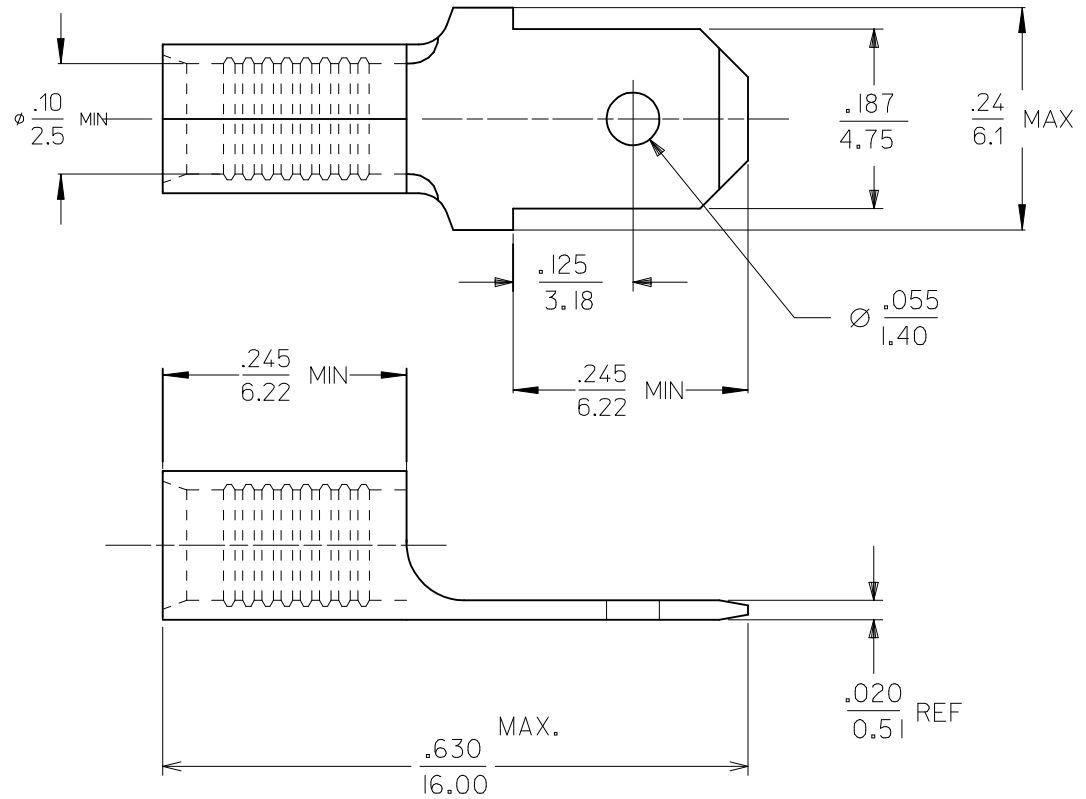
1. MATERIAL: BRASS
2. FINISH: SEE CHART
3. WIRE SIZE: 16-14 AWG (1.23-1.94 mm²)
4. TAB DIMENSIONS CONFORM TO UL310 SPECIFICATIONS.
5. PART IS ROHS COMPLIANT.

RELEASE TO PROD. EC NO: IPG2017-0615 DRAWN: DMYRICK 2016/12/20 CHKD: JMACNEIL APPR: JMACNEIL 2016/12/20	QUALITY SYMBOLS ▽=0 ▽=0 ▽=0	GENERAL TOLERANCES (UNLESS SPECIFIED)		DIMENSION STYLE IN/MM		SCALE 10:1	DESIGN UNITS INCH	THIRD ANGLE PROJECTION		
		4 PLACES ± ---	± ---	DRAWN BY	DATE	TITLE MALE CONNECTOR TERMINAL LONG BARREL .187" X .020", 16-14 AWG				
		3 PLACES ± ---	± .005	CHECKED BY	DATE					
		2 PLACES ± 0.13	± .01	APPROVED BY		DATE	molex			
1 PLACE ± 0.25	± ---	JMACNEIL		2016/12/20						
0 PLACE ± ---	± ---	ANGULAR ± 1°		MATERIAL NO.	DOCUMENT NO.		SHEET NO.			
DRAFT WHERE APPLICABLE MUST REMAIN WITHIN DIMENSIONS		SEE CHART		SD-19022-020		1 OF 1				
THIS DRAWING CONTAINS INFORMATION THAT IS PROPRIETARY TO MOLEX INCORPORATED AND SHOULD NOT BE USED WITHOUT WRITTEN PERMISSION										

13	12	11	10
MATERIAL NUMBER	ENGINEERING NUMBER	FINISH	CARRIER
190220123	MCT-17SN	TIN PLATING	LOOSE PIECE
190220124	MCT-17SNT		TAPE MOUNTED



190220124 (MCT-17SNT)
PARTS ON TAPE



NOTES:

1. MATERIAL: BRASS
2. FINISH: SEE CHART
3. WIRE SIZE: 16-14 AWG (1.23-1.94 mm²)
4. TAB DIMENSIONS CONFORM TO UL310 SPECIFICATIONS.
5. PART IS ROHS COMPLIANT.

RELEASE TO PROD. EC NO: IPG2017-0615 DRAWN: DMYRICK 2016/12/20 CHKD: JMACNEIL APPR: JMACNEIL 2016/12/20	QUALITY SYMBOLS	GENERAL TOLERANCES (UNLESS SPECIFIED)		DIMENSION STYLE IN/MM		SCALE 10:1	DESIGN UNITS INCH	THIRD ANGLE PROJECTION		
	$\nabla=0$	mm	INCH	DRAWN BY DMYRICK	DATE 2016/12/20	TITLE MALE CONNECTOR TERMINAL LONG BARREL .187" X .020", 16-14 AWG				
	$\nabla=0$	4 PLACES ± ---	± ---	CHECKED BY	DATE					
	$\nabla=0$	3 PLACES ± ---	± .005	APPROVED BY JMACNEIL						DATE 2016/12/20
	2 PLACES ± 0.13	± .01	MATERIAL NO.		DOCUMENT NO.	SHEET NO.				
	1 PLACE ± 0.25	± ---	DRAFT WHERE APPLICABLE MUST REMAIN WITHIN DIMENSIONS		SEE CHART		SD-19022-020		1 OF 1	
	0 PLACE ± ---	± ---	ANGULAR ± 1°		THIS DRAWING CONTAINS INFORMATION THAT IS PROPRIETARY TO MOLEX INCORPORATED AND SHOULD NOT BE USED WITHOUT WRITTEN PERMISSION					