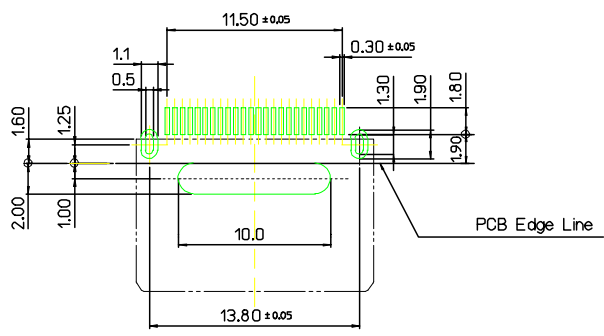
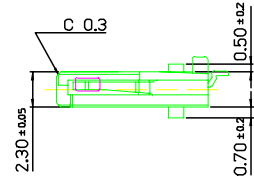
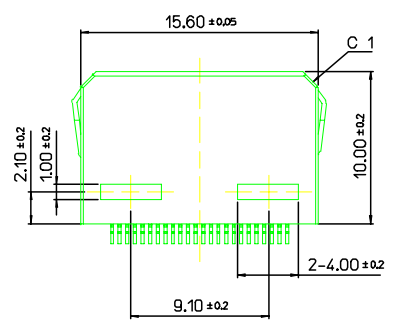
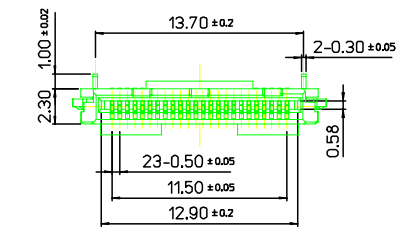
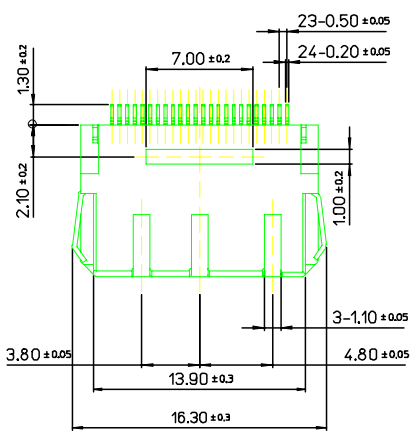
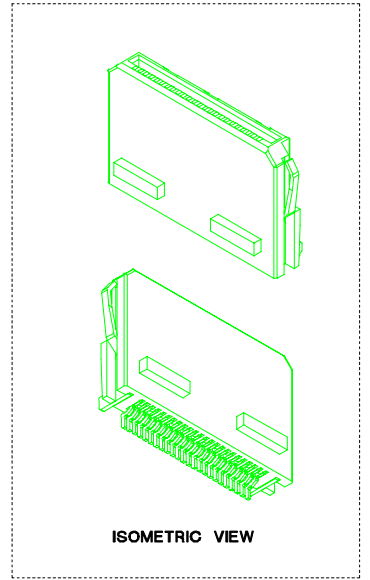


DWG. NO. SD-49595-001
 SIMILAR ITEM
 PROJECT NO.
 C
 B
 DO NOT SCALE DRAWING
 DIMENSION IN METRIC



Recommended PCB Layout
(Tolerance: $\Delta f 0.05$)



NOTE

- MATERIAL**
 HOUSING: THERMOPLASTIC RESIN(PA46), UL94V-0, (COLOR: BLACK)
 CONTACT TERMINAL: COPPER ALLOY 0.3t
 LATCH SPRING: STAINLESS STEEL 0.2t
- FINISH**
 CONTACT TERMINAL: BASE- Ni PLATING 2.0~3.0 μ m
 CONTACT AREA- Au PLATING 0.2 μ m MIN
 SOLDER AREA- Au PLATING 0.05 μ m MIN
 LATCH SPRING: BASE- Ni PLATING STRIKE
 SURFACE- Sn 2.0 μ m MIN
- COPLANARITY OF SOLDER TAIL: 0.07 MAX.**
 MISALIGNMENT OF SOLDER TAIL FROM "Z"
 UPPER DIRECTION 0 MAX, LOWER DIRECTION 0.07 MAX.

PRE-RELEASED ECN NO. KOR2007-0148 DRWN: S.H.JEUN 2007.03.26 CHK: S.H.JOO APPR: S.J.SEH	QUALITY SYMBOLS MAJOR \blacktriangledown = CRITICAL \triangle = C	GENERAL TOLERANCES: (UNLESS SPECIFIED)		SCALE N/S	DESIGN UNITS <input checked="" type="checkbox"/> mm <input type="checkbox"/> INCH	DIMENSIONS: <input type="checkbox"/> mm <input type="checkbox"/> INCH <input checked="" type="checkbox"/> mm ONLY		SHT	REV													
		<table border="1"> <tr><td>4 PLACES</td><td>± 0.1</td><td>\pm</td></tr> <tr><td>3 PLACES</td><td>± 0.15</td><td>\pm</td></tr> <tr><td>2 PLACES</td><td>± 0.2</td><td>\pm</td></tr> <tr><td>1 PLACE</td><td>± 0.3</td><td>\pm</td></tr> </table>		4 PLACES	± 0.1	\pm	3 PLACES	± 0.15	\pm	2 PLACES	± 0.2	\pm	1 PLACE	± 0.3	\pm	DRAWN BY & DATE S.H.JEUN 2007.03.26		THIRD ANGLE PROJECTION		TITLE: CRADLE CONNECTOR-24PIN (I/O PLUG)		
		4 PLACES	± 0.1	\pm																		
3 PLACES	± 0.15	\pm																				
2 PLACES	± 0.2	\pm																				
1 PLACE	± 0.3	\pm																				
ANGULAR: $\pm 1^\circ$		CHECKED BY & DATE S.H.JOO		APPROVED BY & DATE S.J.SEH		MOLEX INCORPORATED																
A	REV	DRAFT WHERE APPLICABLE MUST REMAIN WITHIN DIMENSIONS		CAD FILENAME E49595001.MI	MATERIAL NO. 495950001	DRAWING NO. SD-49595-001	SHEET NO. 1 OF 2		SIZE B													

DWG. NO.
SD-49595-001

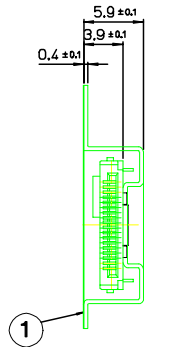
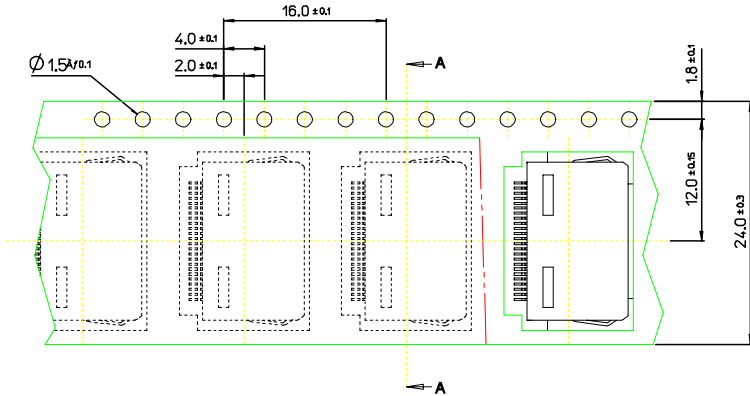
SIMILAR ITEM

PROJECT NO.

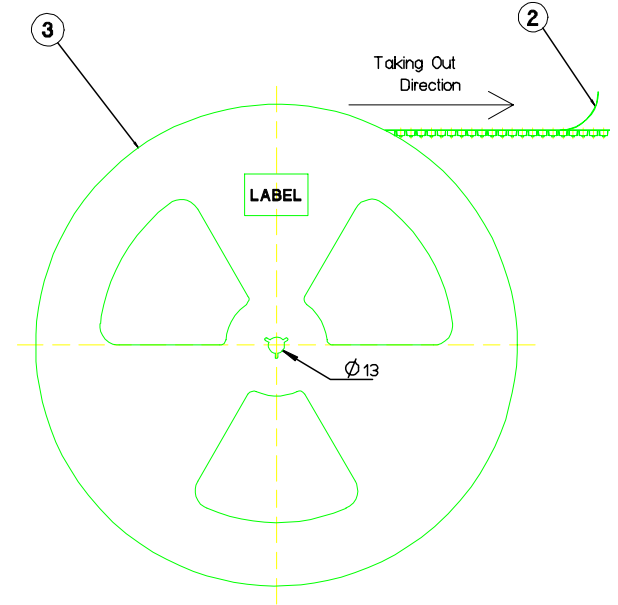
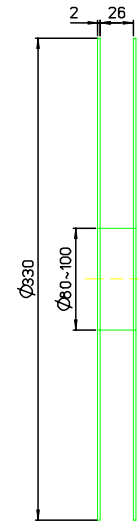
C

B

DO NOT SCALE DRAWING
DIMENSION IN METRIC

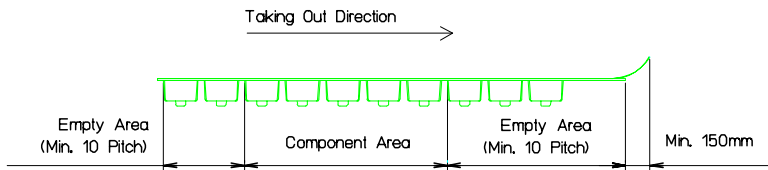


SECTION A-A

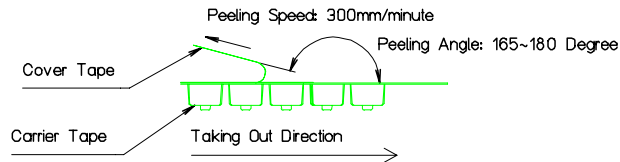


NOTE

1. EMBOSSED TAPE SPECIFICATION.
(Q'TY OF EMBOSS: 800 POCKET PER REEL)



2. PEEL STRENGTH OF COVER TAPE: 10~70g



3	BOBBIN	POLYSTYRENE			1	
2	COVER TAPE	POLYPROPIRENE POLYSTYRENE			1	t=50/μm
1	EMBOSSED TAPE	POLYESTER POLYSTYRENE			1	t=0.4mm
NO	DESCRIPTION	MATERIAL	COLOR	FINISH	Q'TY	REMARKS

PRE-RELEASED
ECN NO. KOR2007-0148
DRWN: S.H.JEUN 2007.03.26
CHK: S.H.JOO
APPR: S.J.SEH

QUALITY SYMBOLS MAJOR CRITICAL C	DESCRIPTION	GENERAL TOLERANCES: (UNLESS SPECIFIED)	SCALE 2:1	DESIGN UNITS <input checked="" type="checkbox"/> mm <input type="checkbox"/> INCH	THIRD ANGLE PROJECTION <input type="checkbox"/> mm <input type="checkbox"/> INCH <input checked="" type="checkbox"/> mm ONLY															
	REV	<table border="1"> <tr> <td></td> <td>mm</td> <td>INCH</td> </tr> <tr> <td>4 PLACES</td> <td>±0</td> <td>±-</td> </tr> <tr> <td>3 PLACES</td> <td>±0.</td> <td>±-</td> </tr> <tr> <td>2 PLACES</td> <td>±0. 2</td> <td>±-</td> </tr> <tr> <td>1 PLACE</td> <td>±0. 3</td> <td>±-</td> </tr> </table>		mm		INCH	4 PLACES	±0	±-	3 PLACES	±0.	±-	2 PLACES	±0. 2	±-	1 PLACE	±0. 3	±-	DRAWN BY & DATE S.H.JEUN 2007.03.26 CHECKED BY & DATE S.H.JOO APPROVED BY & DATE S.J.SEH	TITLE: EMBOSSED TAPE FOR CRADLE CONNECTOR-24PIN (I/O PLUG)
		mm	INCH																	
	4 PLACES	±0	±-																	
3 PLACES	±0.	±-																		
2 PLACES	±0. 2	±-																		
1 PLACE	±0. 3	±-																		
	ANGULAR: ± 1 °	CAD FILENAME 49595001.MI	MATERIAL NO. 495950001	DRAWING NO. SD-49595-001	SHEET NO. 2 OF 2															
	DRAFT WHERE APPLICABLE MUST REMAIN WITHIN DIMENSIONS	THIS DRAWING CONTAINS INFORMATION THAT IS PROPRIETARY TO MOLEX INCORPORATED AND SHOULD NOT BE USED WITHOUT WRITTEN PERMISSION.			SIZE B															

MOLEX INCORPORATED