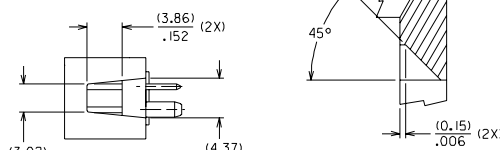
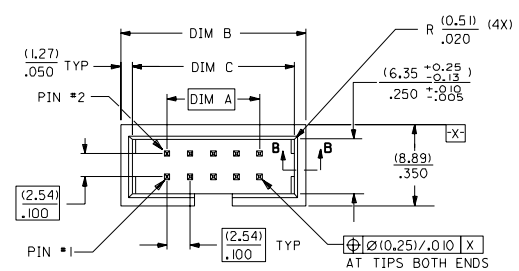


DWG. NO. SD\_87256-\*\*\*21

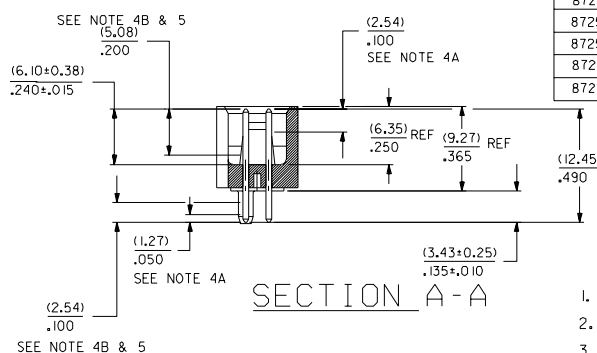
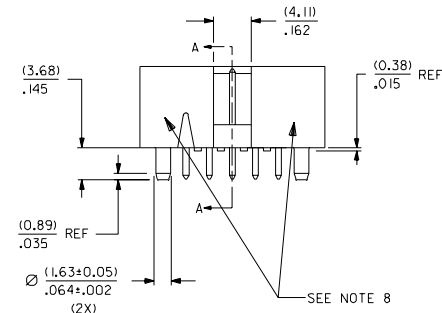
CAD FILE S872562.LDGN

▽

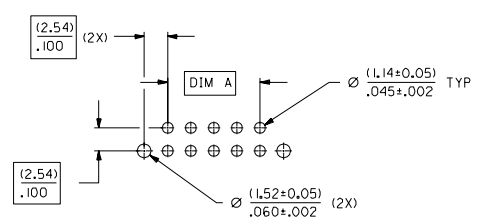
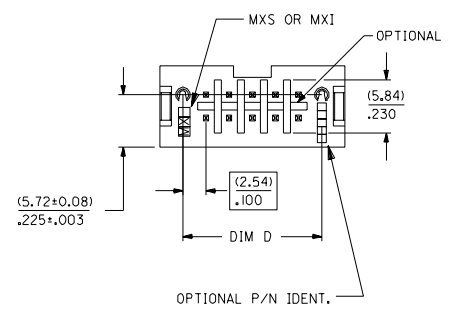
DO NOT SCALE DRAWING



SECTION B-B  
SCALE 8:1



SECTION A-A



RECOMMENDED PCB PATTERN

| PART NUMBERS | CKT SIZE | DIM A         | DIM B         | DIM C         | DIM D         |
|--------------|----------|---------------|---------------|---------------|---------------|
| 87256-0421   | 04       | (2.54)/.100   | (12.70)/.500  | (10.16)/.400  | (7.62)/.300   |
| 87256-0621   | 06       | (5.08)/.200   | (15.24)/.600  | (12.70)/.500  | (10.16)/.400  |
| 87256-0821   | 08       | (7.62)/.300   | (17.78)/.700  | (15.24)/.600  | (12.70)/.500  |
| 87256-1021   | 10       | (10.16)/.400  | (20.32)/.800  | (17.78)/.700  | (15.24)/.600  |
| 87256-1221   | 12       | (12.70)/.500  | (22.86)/.900  | (20.32)/.800  | (17.78)/.700  |
| 87256-1421   | 14       | (15.24)/.600  | (25.40)/1.000 | (22.86)/.900  | (20.32)/.800  |
| 87256-1621   | 16       | (17.78)/.700  | (27.94)/1.100 | (25.40)/1.000 | (22.86)/.900  |
| 87256-1821   | 18       | (20.32)/.800  | (30.48)/1.200 | (27.94)/1.100 | (25.40)/1.000 |
| 87256-2021   | 20       | (22.86)/.900  | (33.02)/1.300 | (30.48)/1.200 | (27.94)/1.100 |
| 87256-2421   | 24       | (27.94)/1.100 | (38.10)/1.500 | (35.56)/1.400 | (33.02)/1.300 |
| 87256-2621   | 26       | (30.48)/1.200 | (40.64)/1.600 | (38.10)/1.500 | (35.56)/1.400 |
| 87256-3021   | 30       | (35.56)/1.400 | (45.72)/1.800 | (43.18)/1.700 | (40.64)/1.600 |
| 87256-3421   | 34       | (40.64)/1.600 | (50.80)/2.000 | (48.26)/1.900 | (45.72)/1.800 |
| 87256-4021   | 40       | (48.26)/1.900 | (58.42)/2.300 | (55.88)/2.200 | (53.34)/2.100 |
| 87256-4421   | 44       | (53.34)/2.100 | (63.50)/2.500 | (60.96)/2.400 | (58.42)/2.300 |
| 87256-5021   | 50       | (60.96)/2.400 | (71.12)/2.800 | (68.58)/2.700 | (66.04)/2.600 |
| 87256-5621   | 56       | (68.58)/2.700 | (78.74)/3.100 | (76.20)/3.000 | (73.66)/2.900 |
| 87256-6021   | 60       | (73.66)/2.900 | (83.82)/3.300 | (81.28)/3.200 | (78.74)/3.100 |
| 87256-6421   | 64       | (78.74)/3.100 | (88.90)/3.500 | (86.36)/3.400 | (83.82)/3.300 |
| 87256-7221   | 72       | (88.90)/3.500 | (99.06)/3.900 | (96.52)/3.800 | (93.98)/3.700 |

PART NUMBER LEGEND

87256 - \* \* 2 1

CKT SIZES

NOTES :

- PIN PUSHOUT FORCE (0.9072 KG)/2 LBS MIN.
- PRODUCT SPECIFICATION #70246 APPLIES.
- WAFER TO BE FLAT WITHIN (0.03MM/CM)/.003IN/IN.
- DIMENSIONS FOR PLATING LOCATIONS : A - MEASURE POINT FOR THICKNESS.  
B - MINIMUM COVERAGE.
- GOLD END OF PIN UNLESS OVERALL PLATED.
- FINISH : (PER ES-88)  
0.13um/5u" MIN GOLD FLASH OVER 1.02um/40u" MIN.PD/NI  
IN SELECTED AREA AND 2.5um/100u" MIN.TIN/LEAD IN SELECTED AREA OVER 1.27um/50u" MIN NICKEL OVERALL
- FOR ILLUSTRATION PURPOSE A 10 CKT IS SHOWN.
- OPTIONAL LOCATION FOR WEEK/YEAR STAMP IF REQUIRED BY CUSTOMER

(MM)  
INCH

|                           |                         |        |     |  |                                |  |  |
|---------------------------|-------------------------|--------|-----|--|--------------------------------|--|--|
|                           |                         |        |     | MATERIAL :<br>WAFER : HIGH TEMP.<br>THERMOPLASTICS<br>PINS : (0.64)/.025 SO CU ALLOY |                                | <b>MOLEX SINGAPORE PTE LTD</b><br>SHEET 1 OF 1 |  |
|                           |                         |        |     | FINISH :<br>SEE DRAWING  |                                |  |  |
| A                         | RELEASE PER ECN# S50173 | S50173 | INC | 941017   | GENERAL TOLERANCES ± 0.20/.008 |  | REV A  |
| LTR                       | REVISION RECORD         | ECN    | DR  | CHK  | DATE                           | DWG. NO. SD_87256-***21                        |  |
| REVISE ONLY ON CAD SYSTEM |                         |        |     |  | DRAWN BY KC LING 941017        | CHK'D BY                                       | TITLE : C-GRID, SHROUDED WAFER<br>SLOTTED, WITH IN-LINE<br>POLARIZATION PEGS |
|                           |                         |        |     |  | APPR'D BY                      | SCALE 2 : 1                                    |  |