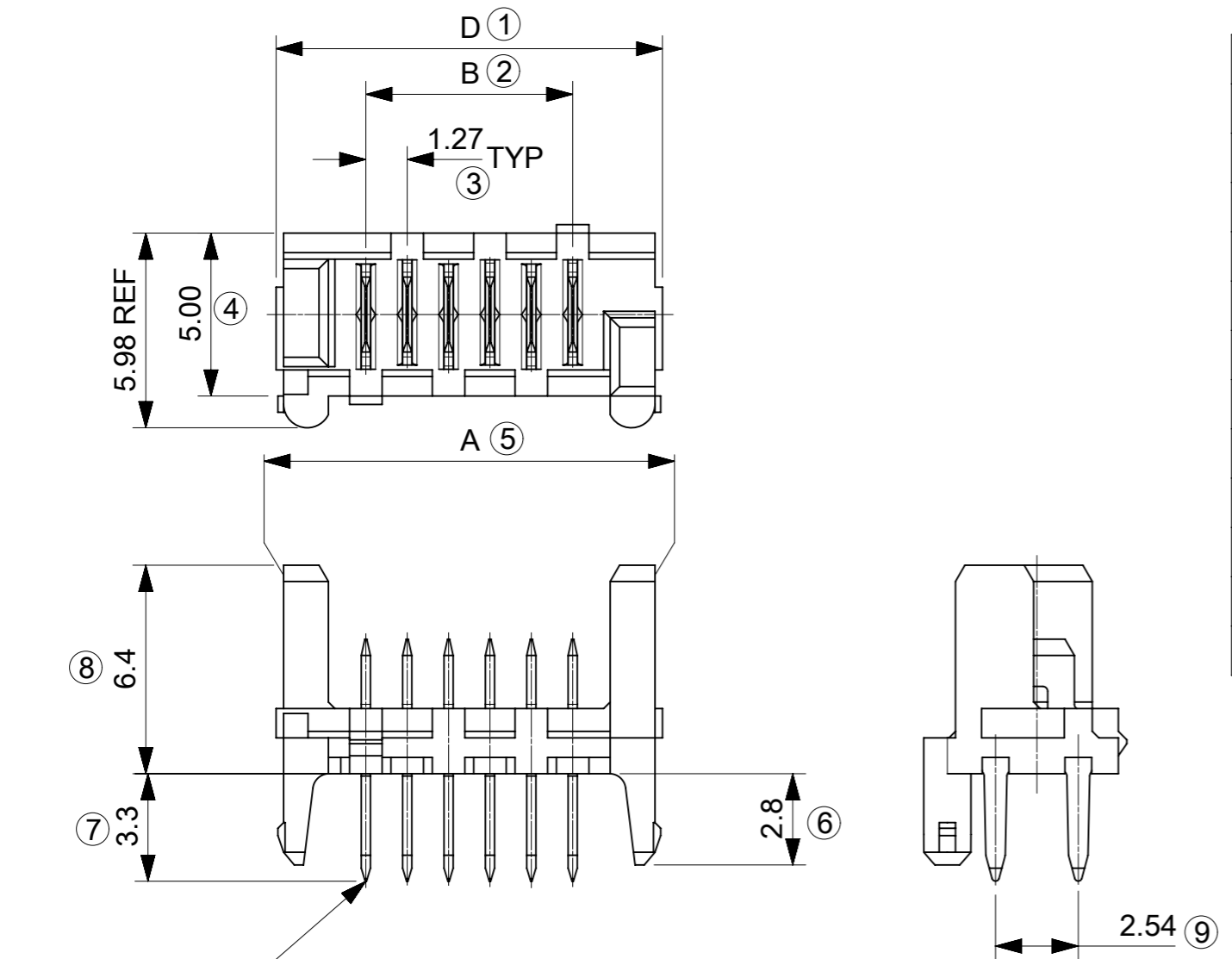


90325 - **26	26	36.80	31.75	35.35	37.26
90325 - **24	24	34.26	29.21	32.81	34.72
90325 - **22	22	31.72	26.67	30.27	32.18
90325 - **20	20	29.18	24.13	27.73	29.64
90325 - **18	18	26.64	21.59	25.19	27.10
90325 - **16	16	24.10	19.05	22.65	24.56
90325 - **14	14	21.56	16.51	20.11	22.02
90325 - **12	12	19.02	13.97	17.57	19.48
90325 - **10	10	16.48	11.43	15.03	16.94
90325 - **08	08	13.94	8.89	12.49	14.40
90325 - **06	06	11.40	6.35	9.95	11.86
90325 - **04	04	8.86	3.81	7.41	9.32
PART NO.	NO. OF CKTS	DIM. A	DIM. B	DIM. C	DIM. D

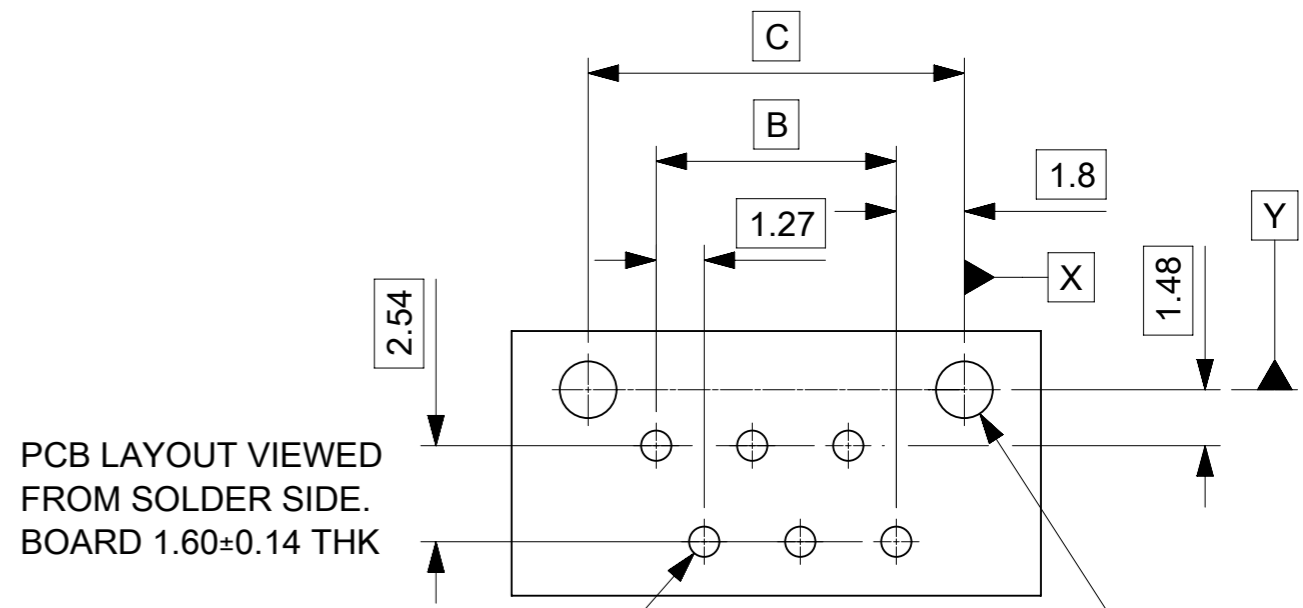


CIRCUIT NO. 1

90325 - * * * *

CIRCUIT SIZE 04 CKT TO 26 CKT
 0 = HOUSING: COLOUR BLACK
 9 = HOUSING: CUSTOMER SPECIFIC (COLOUR BLACK)

0 = 3 -5µm TIN ASSY
 3 = 0.76µm GOLD ASSY
 5 = NON STANDARD VOIDED OPTIONSEE SHEET 2 TUBED
 6 = ROUND PEG WITH KINKSOPTION SEE SHEET 3 (OBSOLETE)
 7 = 0.76µm GOLD ASSY, TUBED
 9 = 3-5µm TIN ASSY TUBED



INSPECTION NUMBERS USED ON SHEET 1: 1-20
 LAST INSPECTION NUMBER USED: 9

SYMBOLS		THIS DRAWING CONTAINS INFORMATION THAT IS PROPRIETARY TO MOLEX ELECTRONIC TECHNOLOGIES, LLC AND SHOULD NOT BE USED WITHOUT WRITTEN PERMISSION	
▽ = 0	mm	SCALE	5:1
▽ = 0	GENERAL TOLERANCES (UNLESS SPECIFIED)		
▽ = 0	ANGULAR TOL ± 0.5°		
▽ = 0	4 PLACES	±	
▽ = 0	3 PLACES	±	
▽ = 0	2 PLACES	±	0.2
▽ = 0	1 PLACE	±	0.2
▽ = 0	0 PLACES	±	
■ = 0	DRAFT WHERE APPLICABLE MUST REMAIN WITHIN DIMENSIONS		
▽ = 0	THIRD ANGLE PROJECTION	DRAWING	A3-SIZE
CURRENT REV DESC:		SERIES	90325
EC NO: 738955		MATERIAL NUMBER	SEE TABLE
DRWN: GOWTHP 2023/02/02		CUSTOMER	GENERAL MARKET
CHK'D: GOWTHP 2023/02/16		DOCUMENT NUMBER	SDA-90325
APPR: ISHWARG 2023/02/20		DOC TYPE	PSD
INITIAL REVISION:		DOC PART	001
DRWN: RFC_PLMIMP 2018/10/14		REVISION	AU1
APPR: MWILHITE 2000/07/24		SHEET NUMBER	
1 OF 2		1 OF 2	

- NOTES:
- HOUSING MATL. POLYESTER PBT 15% GLASS FILLED TO UL94V-0
 - TER. MATL. BRALL 0.28 THK
 PLATING: :UNDERPLATED 1.27µm MIN NICKEL
 3-5µm TIN SELECTIVE
 0.76µm MIN. SELECTIVE GOLD
 - CONFIRMS TO PRODUCT SPECIFICATION PS-99020-0011
 - PACKAGING SPECIFICATION: PK-90325-001

DRAWING REMASTERED TO NX

PART NUMBER OPTIONS ON SHEET'S 2 & 3 ARE OBSOLETE AND THEREFORE HAVE BEEN REMOVED FROM DRAWING.



SYMBOLS	THIS DRAWING CONTAINS INFORMATION THAT IS PROPRIETARY TO MOLEX ELECTRONIC TECHNOLOGIES, LLC AND SHOULD NOT BE USED WITHOUT WRITTEN PERMISSION		
	DIMENSION UNITS	SCALE	CURRENT REV DESC:
▽ = 0	mm	1:1	EC NO: 738955 DRWN: GOWTHP 2023/02/02 CHK'D: GOWTHP 2023/02/16 APPR: ISHWARG 2023/02/20
▽ = 0	GENERAL TOLERANCES (UNLESS SPECIFIED)		
▽ = 0	ANGULAR TOL ± 0.5°		INITIAL REVISION: DRWN: RFC_PLMIMP 2018/10/14 APPR: MWILHITE 2000/07/24
▽ = 0	4 PLACES ±		
▽ = 0	3 PLACES ±		DOCUMENT NUMBER: SDA-90325 DOC TYPE: PSD DOC PART: 001 REVISION: AU1
▽ = 0	2 PLACES ±	0.2	
▽ = 0	1 PLACE ±	0.2	MATERIAL NUMBER: SEE TABLE CUSTOMER: GENERAL MARKET SHEET NUMBER: 2 OF 2
▽ = 0	0 PLACES ±		
■ = 0	DRAFT WHERE APPLICABLE MUST REMAIN WITHIN DIMENSIONS	THIRD ANGLE PROJECTION	DRAWING: A3-SIZE
▽ = 0			SERIES: 90325