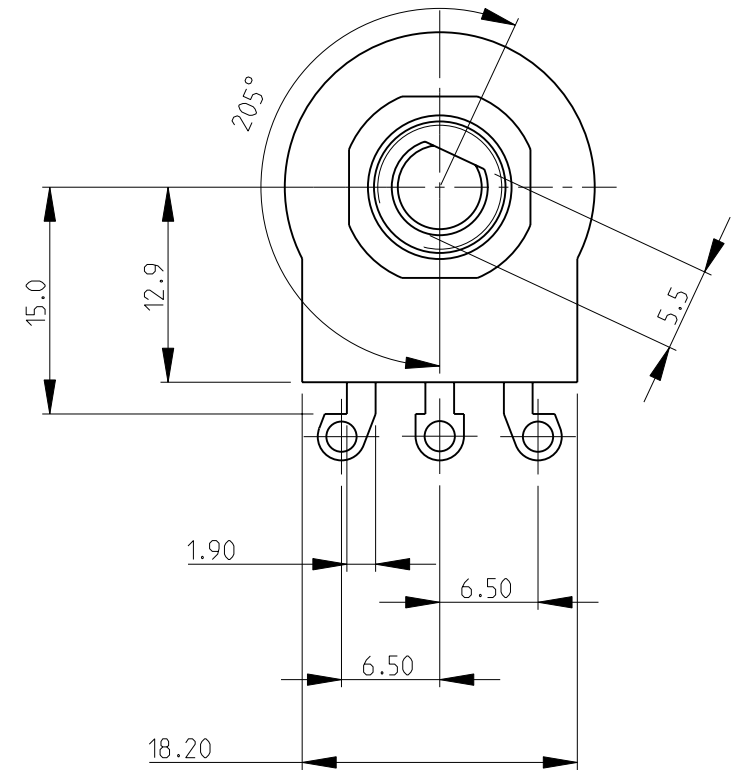
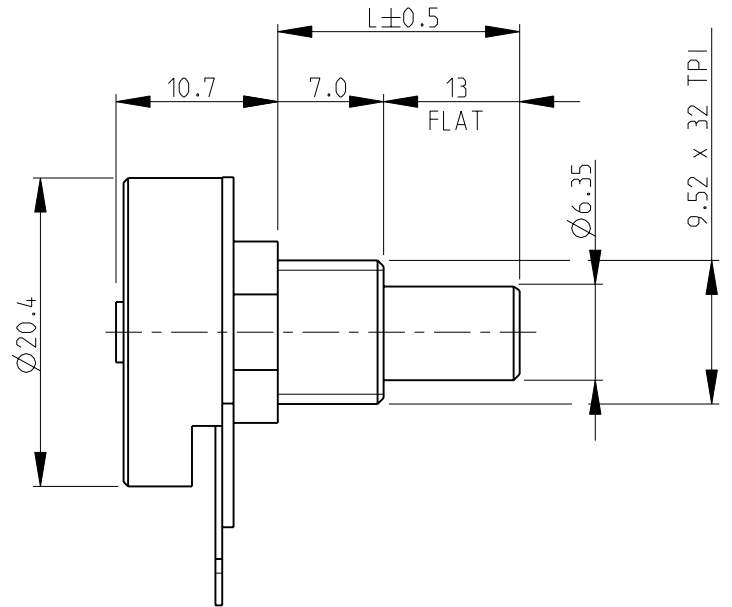


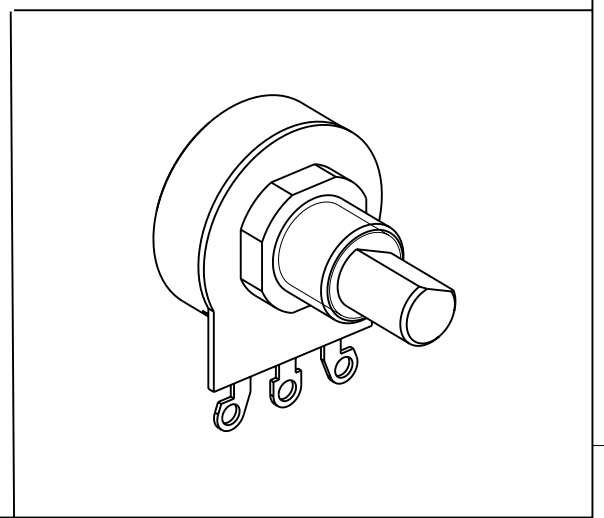
THIS DRAWING IS UNPUBLISHED. RELEASED FOR PUBLICATION 2008
 © COPYRIGHT 2008 BY TYCO ELECTRONICS CORPORATION. ALL RIGHTS RESERVED.

| LOC | DIST | REVISIONS | | | |
|-----|------|-------------|-------------|-----------|---------|
| P | LTR | DESCRIPTION | DATE | DWN | APVD |
| E | B | BA | NEW RELEASE | 30-Jul-08 | SM St.P |

- 1 CUSTOMER SPECIAL VARIATION AS DRAWN : 23EXA103KMJ16N
- 2 21 DETENTS
- 3 FOR FURTHER INFORMATION SEE DATA SHEET FOR 23 SERIES-SPINDLE OPERATED POTENTIOMETER



RoHS Compliant



| | | | | | | | | | | | | | | | | | | |
|---|------|--------------------------|--|-------|----------|-----------|--------------|--------|---|-------|---|--------|-----|----------------|---------|-----------------|----------------------|-----------------|
| THIS DRAWING IS A CONTROLLED DOCUMENT FOR TYCO ELECTRONICS CORPORATION IT IS SUBJECT TO CHANGE AND THE CONTROLLING ENGINEERING ORGANIZATION SHOULD BE CONTACTED FOR THE LATEST REVISION. | | DWN SUBHASH.M 30-Jul-08 | Tyco Electronics Corporation Dorcan, Swindon, SN3 5HH | | | | | | | | | | | | | | | |
| DIMENSIONS: mm | | CHK PRAKASH.S 30-Jul-08 | NAME SPINDLE OPERATED POTENTIOMETER SERIES 23E | | | | | | | | | | | | | | | |
| TOLERANCES UNLESS OTHERWISE SPECIFIED: | | APVD STEPHEN.P 30-Jul-08 | | | | | | | | | | | | | | | | |
| <table border="0"> <tr><td>0 PLC</td><td>±0.5</td></tr> <tr><td>1 PLC</td><td>±0.2</td></tr> <tr><td>2 PLC</td><td>±0.1</td></tr> <tr><td>3 PLC</td><td>±</td></tr> <tr><td>4 PLC</td><td>±</td></tr> <tr><td>ANGLES</td><td>±5°</td></tr> </table> | | 0 PLC | ±0.5 | 1 PLC | ±0.2 | 2 PLC | ±0.1 | 3 PLC | ± | 4 PLC | ± | ANGLES | ±5° | PRODUCT SPEC - | SIZE A3 | CAGE CODE 00779 | DRAWING NO C=1624217 | RESTRICTED TO - |
| 0 PLC | ±0.5 | | | | | | | | | | | | | | | | | |
| 1 PLC | ±0.2 | | | | | | | | | | | | | | | | | |
| 2 PLC | ±0.1 | | | | | | | | | | | | | | | | | |
| 3 PLC | ± | | | | | | | | | | | | | | | | | |
| 4 PLC | ± | | | | | | | | | | | | | | | | | |
| ANGLES | ±5° | | | | | | | | | | | | | | | | | |
| MATERIAL - | | FINISH - | APPLICATION SPEC - | | WEIGHT - | SCALE 2:1 | SHEET 1 OF 1 | REV BA | | | | | | | | | | |
| CUSTOMER DRAWING | | | | | | | | | | | | | | | | | | |