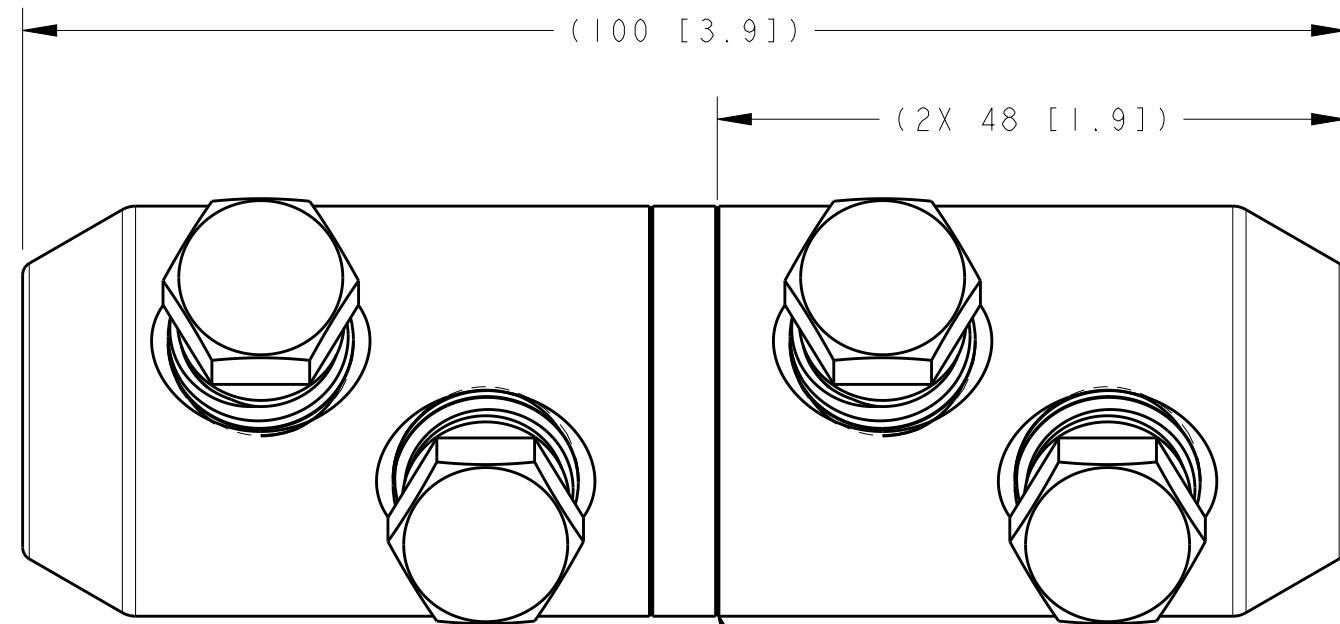
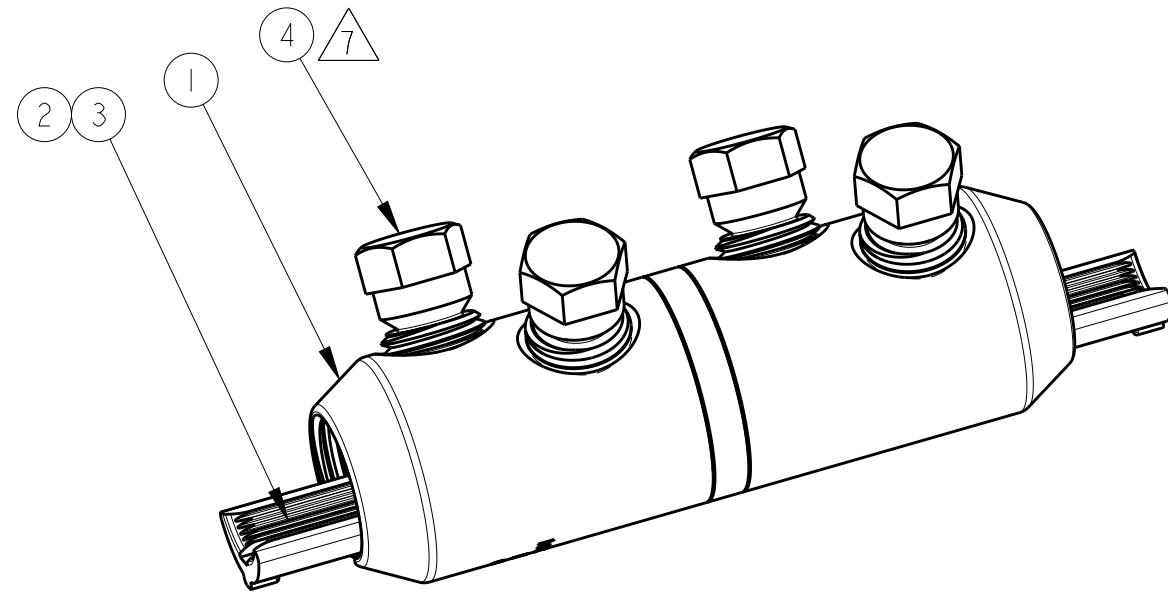


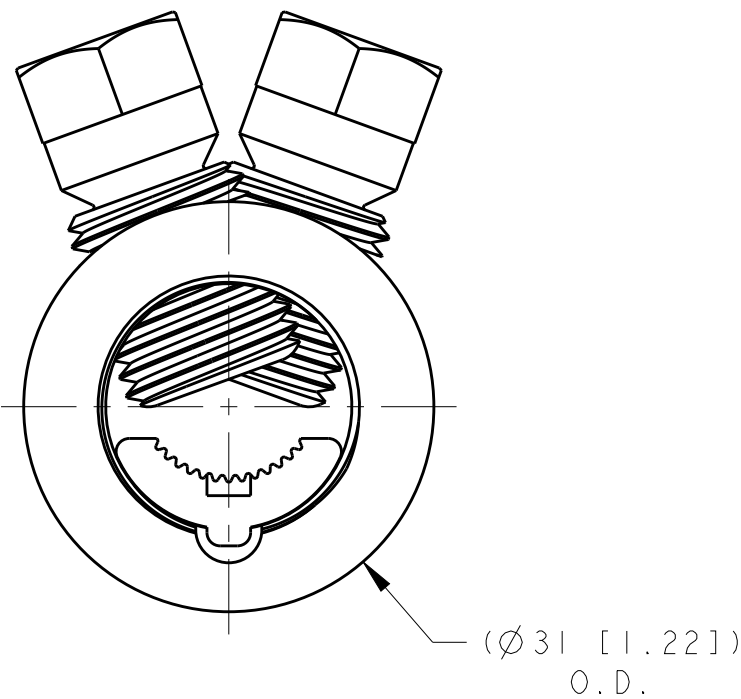
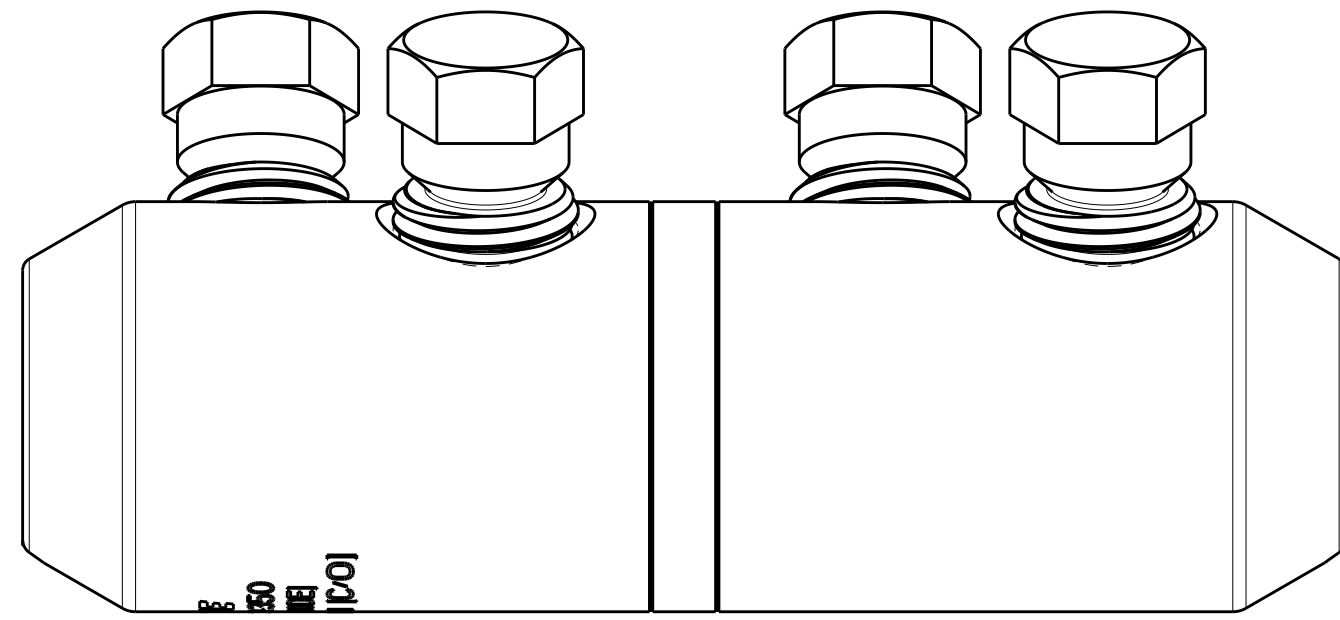
P	LTR	DESCRIPTION	DATE	DWN	APVD
F		LC20-0093-14 / ECO-14-011021	05AUG2014	JG	BJ
G		LC20-0132-15 / ECO-15-016645	11NOV2015	DM	BJ
H		LC20-0095-16 / ECO-16-011928	17AUG2016	JG	BJ
J		LC20-0086-20 / ECO-20-012153	14AUG2020	DM	BJ



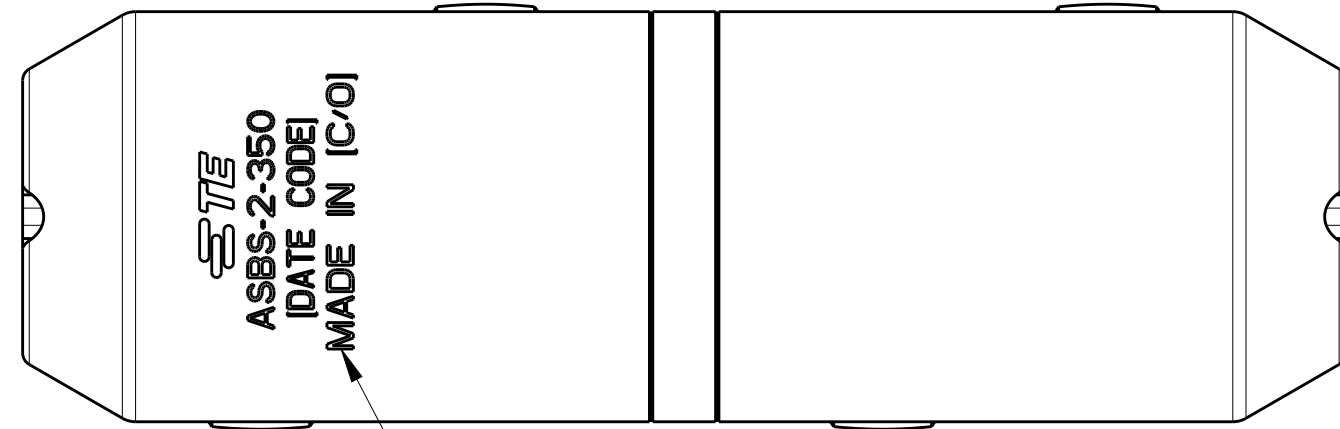
CABLE STRIP LENGTH IDENTIFICATION GROOVES



1. ACCOMMODATES:
#2 AWG COMPACT (Ø6.81 [.2681]) TO
350 KCMIL STD STR (Ø17.30 [.681])
ALUMINUM OR COPPER CONDUCTORS.
2. MARKING:
STE
ASBS-2-350
[DATE CODE]
MADE IN [COUNTRY OF ORIGIN]
3. INSERT SHALL BE REMOVED FOR CONDUCTOR
SIZES GREATER THAN 4/0 AWG
STD STR (Ø13.4 [.528 DIA]).
4. ALL DIMENSIONS ARE FOR REFERENCE ONLY.
5. CONNECTOR CONTAINS FACTORY APPLIED
ANTI-OXIDE INHIBITOR.
6. FINISH:
ELECTRO-TIN PLATED
7. INSTALL BOLTS WITH 13 mm [1/2 inch]
HEX SOCKET.



ASBS-2-350	1099739-1
CATALOG NO	PART NO



QTY	DESCRIPTION	ITEM NO
1	INSTALLATION INSTRUCTION SHEET, 408-8990	6
1	ABRASIVE TAPE	5
4	BOLT, MULTI-SHEAR, M14 SIZE, ALUMINUM	4
A/R	INHIBITOR	3
2	INSERT, ALUMINUM, TIN PLATED, 2 AWG - 350 KCMIL	2
1	CONNECTOR BODY, ALUMINUM, TIN PLATED, 2 AWG - 350 KCMIL	1
PARTS LIST		

THIS DRAWING IS A CONTROLLED DOCUMENT.

DWN D. ROBITALLE 10SEP2004	STE TE Connectivity
CHK A. BULZA 14JAN2005	
APVD B. JOHNSON 17JAN2005	
NAME SHEARBOLT CONNECTOR, ALUM, TINNED, 2 AWG CPT TO 350 KCMIL STD CONDUCTORS	
DIMENSIONS: mm [INCH]	TOLERANCES UNLESS OTHERWISE SPECIFIED:
0 PLC ±	1 PLC ±
1 PLC ±	2 PLC ±
2 PLC ±	3 PLC ±
3 PLC ±	4 PLC ±
4 PLC ±	ANGLES ±
FINISH	FINISH
SEE BOM	SEE BOM
MATERIAL	FINISH
SEE BOM	SEE BOM
CUSTOMER DRAWING	SCALE NTS SHEET OF REV J