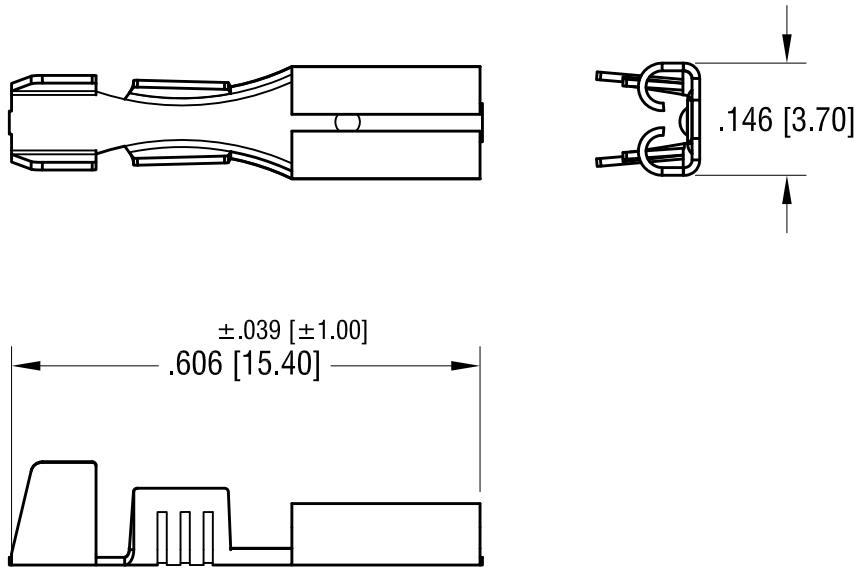


THIS DOCUMENT IS THE PROPERTY OF
KEYSTONE ELECTRONICS CORP. AND
SHALL NOT BE REPRODUCED, DISTRIBUTED
OR USED AS A BASIS FOR MANUFACTURE
WITHOUT PRIOR WRITTEN PERMISSION
FROM KEYSTONE ELECTRONICS CORP.

ACTUAL SIZE



NOTES:

1. DESIGNED FOR .110 [2.79] x
.020 [0.51] TAB
2. WIRE RANGE : 22-18 AWG

KEYSTONE ELECTRONICS CORP.			
www.keyelco.com • ASTORIA, N.Y. 11105-2017 • Tel (718) 956-8900			
PART NAME			
QUICK-FIT FEMALE TERMINAL			
MATERIAL			
.010 [.25] TH'K BRASS			
FINISH		DRN BY	DATE
TIN PLATE		BOONE	10.8.99
		APP'D	SCALE
		LN	3X
TOLERANCES		INCH	[MM]
DECIMAL		±.010	[±0.25]
ANGULAR		± 1°	
UNLESS OTHERWISE SPECIFIED		CODE	DWG NO.
		C	1252

12.01.14	CHANGE AS PER ECN 14-116	A
DATE	DESCRIPTION	REV.