

6

5

4

3

2

1

E

E

D

D

C

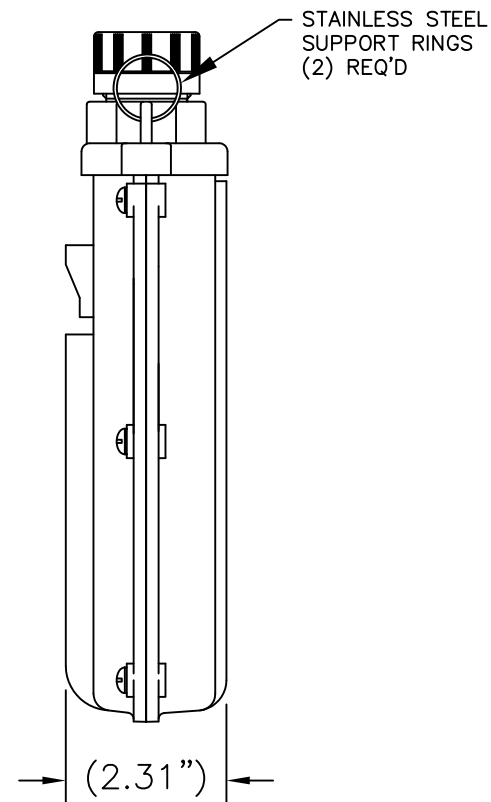
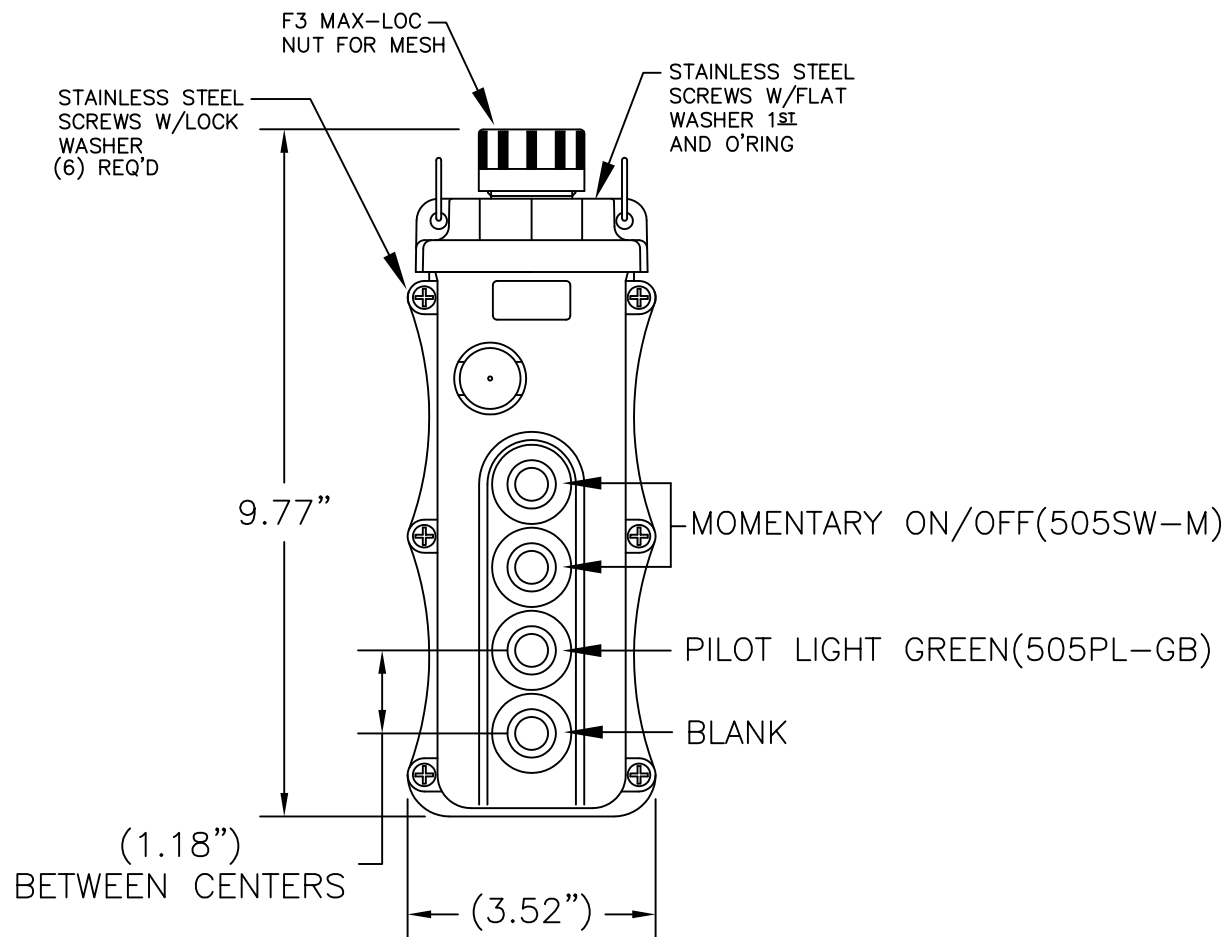
C

B

B

A

A



- NOTES:  
 1. INSTALLATION INSTRUCTIONS, BUTTON ID. LABELS. ARE PACK WITH THE PART.  
 2. ALL BUTTONS ARE HIGH AMBIENT, CHEMICALLY RESISTANT MATERIAL - COLOR BLACK

RELEASE DRAWING EC NO: WNA2011-0062 DRWN: TVICKERS 2010/08/02 CHKD: HK APPR: DTITUS 2010/09/02 REV: A	QUALITY SYMBOLS ▽=0 ∇=0	GENERAL TOLERANCES (UNLESS SPECIFIED)		DIMENSION STYLE IN/MM		SCALE NTS	DESIGN UNITS INCH	THIRD ANGLE PROJECTION		
			mm	INCH	DRAWN BY TVICKERS	DATE 2010/08/02	TITLE 4 POS PENDANT 505SW-M 505PL-GB			
		4 PLACES	±---	±---	CHECKED BY HK	DATE 2010/08/02	MOLEX INCORPORATED DOCUMENT NO. SD-130126-044 SHEET NO. 1 OF 1			
		3 PLACES	±---	±.005	APPROVED BY DTITUS					
2 PLACES	±0.13	±.010	MATERIAL NO. 1301260329							
1 PLACE	±0.25	±.020	ANGULAR ±.5°		DRAFT WHERE APPLICABLE MUST REMAIN WITHIN DIMENSIONS					
SIZE A		THIS DRAWING CONTAINS INFORMATION THAT IS PROPRIETARY TO MOLEX INCORPORATED AND SHOULD NOT BE USED WITHOUT WRITTEN PERMISSION								

6

5

4

3

2

1