

Data sheet | Item number: 2065-100/998-403

SMD PCB terminal block; push-button; 0.75 mm²; Pin spacing 6.5 mm; 1-pole; Push-in CAGE CLAMP®; in tape-and-reel packaging; Without housing; 0,75 mm²; silver-colored

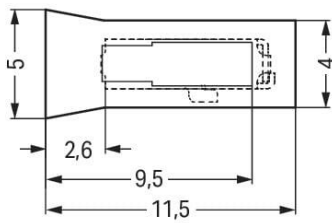
www.wago.com/2065-100/998-403



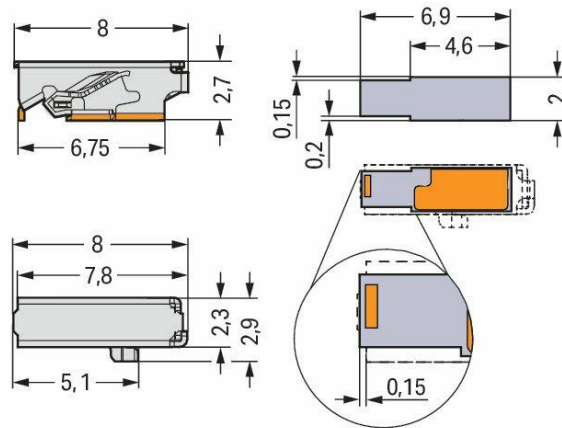
Subject to changes. Please also observe the further product documentation!

WAGO GmbH & Co. KG
Hansastr. 27
32423 Minden
Phone: +49571 887-0 | Fax: +49571 887-169
Email: info.de@wago.com | Web: www.wago.com

Do you have any questions about our products?
We are always happy to take your call at +49 (571) 887-44222.



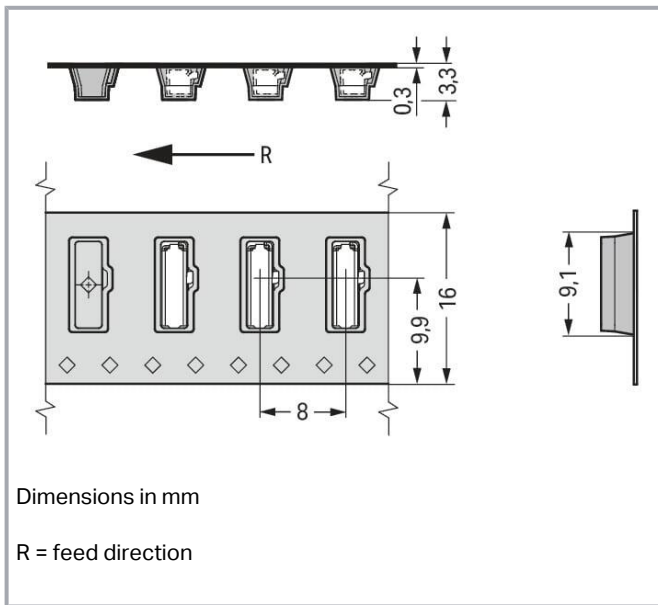
Required space for operating tool



Subject to changes. Please also observe the further product documentation!

WAGO GmbH & Co. KG
Hansastr. 27
32423 Minden
Phone: +49571 887-0 | Fax: +49571 887-169
Email: info.de@wago.com | Web: www.wago.com

Do you have any questions about our products?
We are always happy to take your call at +49 (571) 887-44222.



Item description

- SMD PCB terminal block with Push-in CAGE CLAMP® connection technology and push-button
- Push-in termination of solid conductors
- Convenient termination/removal of fine-stranded conductors via push-button and operating tool
- Just 2.7 mm tall
- Available in tape-and-reel packaging for automated assembly
- Also available in a PUSH WIRE® variant without push-button (only for solid conductors)
- As if from a single mold: Miniaturized connection technology meets elegant design.
- Slim SMD metal contact enables space-saving and convenient conductor connection.

Data

Notes

Safety information

Notice:

Terminal block without insulation housing! Protection against accidental contact must be provided at voltages higher than low voltages (e.g., SELV/PELV) for the relevant application.

Note The ratings are based on an example pin spacing of 6.5 mm. The layout must meet the requirements of the insulation

Subject to changes. Please also observe the further product documentation!

WAGO GmbH & Co. KG
Hansastr. 27
32423 Minden
Phone: +49571 887-0 | Fax: +49571 887-169
Email: info.de@wago.com | Web: www.wago.com

Do you have any questions about our products?
We are always happy to take your call at +49 (571) 887-44222.



coordination standard EN/IEC 60664-1 and applicable end product standards.

Electrical data

Ratings per IEC/EN

Ratings per	IEC/EN 60664-1
Rated voltage (III/2)	320 V
Rated impulse voltage (III/2)	4 kV
Nominal voltage (II/2)	630 V
Rated surge voltage (II/2)	4 kV
Rated current	9 A
Legend (ratings)	(III / 2) $\hat{=}$ Overvoltage category III / Pollution degree 2

Ratings per UL 1977

Rated voltage (UL 1977)	600 V
Rated current UL 1977	9 A

Connection data

Connection points	1
Total number of potentials	1
Number of connection types	1
Number of levels	1

Connection 1

Connection technology	Push-in CAGE CLAMP [®]
Actuation type	Push-button
Solid conductor	0.2 ... 0.75 mm ² / 24 ... 18 AWG
Fine-stranded conductor	0.2 ... 0.75 mm ² / 24 ... 18 AWG
Strip length	7.5 ... 9.5 mm / 0.3 ... 0.37 inches
Conductor connection direction to PCB	0°
Pole number	1

Physical data

Pin spacing	6.5 mm / 0.256 inches
Width	2.9 mm / 0.114 inches

Subject to changes. Please also observe the further product documentation!



Height	2.7 mm / 0.106 inches
Depth	8 mm / 0.315 inches
Reel diameter of tape-and-reel packaging	330 mm
Tape width	16 mm

PCB contact

PCB contact	SMD
Solder pin arrangement	Over the entire terminal strip (in-line)
Number of solder pins per potential	1

Material Data

Note (material data)

Information on material specifications can be found here

Color	silver-colored
Clamping spring material	Chrome-nickel spring steel (CrNi)
Contact material	Copper alloy
Contact plating	Tin
Weight	0.3 g

Environmental requirements

Limit temperature range	-60 ... +120 °C
-------------------------	-----------------

Commercial data

eCl@ss 10.0	27-14-11-06
eCl@ss 9.0	27-14-11-06
ETIM 8.0	EC001284
ETIM 7.0	EC001284
PU (SPU)	31800 (2650) pcs
Packaging type	box
Country of origin	CH
GTIN	4055143665469
Customs tariff number	85369010000

Environmental Product Compliance

RoHS Compliance Status	Compliant, No Exemption
------------------------	-------------------------



Subject to changes. Please also observe the further product documentation!

WAGO GmbH & Co. KG
 Hansastr. 27
 32423 Minden
 Phone: +49571 887-0 | Fax: +49571 887-169
 Email: info.de@wago.com | Web: www.wago.com



Do you have any questions about our products?
 We are always happy to take your call at +49 (571) 887-44222.

Approvals / Certificates



General approvals

Logo	Approval	Additional Approval Text	Certificate name
	CB DEKRA Certification B.V.	EN 60947-7-4	NL-63702
	CB DEKRA Certification B.V.	IEC 60998	NL-63703
	KEMA/KEUR DEKRA Certification B.V.	EN 60947-7-4	71- 112513
	KEMA/KEUR DEKRA Certification B.V.	EN 60998	71- 112514

Declarations of conformity and manufacturer's declarations

Logo	Approval	Additional Approval Text	Certificate name
	EU-Declaration of Conformity WAGO GmbH & Co. KG	-	-
	UK-Declaration of Conformity WAGO GmbH & Co. KG	-	-

Counterpart

	Item no.2065-133 Board-to-Board Link; Pin spacing 6.5 mm; Length: 17.6 mm; silver-colored	www.wago.com/2065-133
	Item no.2065-131 Board-to-Board Link; Pin spacing 6.5 mm; Length: 15.6 mm; silver-colored	www.wago.com/2065-131

Optional accessories

Tool

Operating tool

Subject to changes. Please also observe the further product documentation!



Item no.: 2065-189

Operating tool; made of insulating material; white

www.wago.com/2065-189

Board-to-board link

Board-to-board link



Item no.: 2065-131

Board-to-Board Link; Pin spacing 6.5 mm; Length: 15.6 mm; silver-colored

www.wago.com/2065-131



Item no.: 2065-133

Board-to-Board Link; Pin spacing 6.5 mm; Length: 17.6 mm; silver-colored

www.wago.com/2065-133

Downloads

Documentation

Additional Information

Technical Section	2019 Apr 3	pdf	Download
Technical explanations		2.0 MB	

CAD/CAE-Data

CAD data

2D/3D Models 2065-100/998-403	URL	Download
-------------------------------	-----	----------

PCB Design

Symbol and Footprint 2065-100/998-403	URL	Download
---------------------------------------	-----	----------

CAX data for your PCB design, consisting of "schematic symbols and PCB footprints", allow easy integration of the WAGO component into your development environment.

Supported formats:

- Accel EDA 14 & 15
- Altium 6 to current version
- Cadence Allegro
- DesignSpark
- Eagle Libraries
- KiCad
- Mentor Graphics BoardStation

—
Subject to changes. Please also observe the further product documentation!

WAGO GmbH & Co. KG

Hansastr. 27

32423 Minden

Phone: +49571 887-0 | Fax: +49571 887-169

Email: info.de@wago.com | Web: www.wago.com

Do you have any questions about our products?

We are always happy to take your call at +49 (571) 887-44222.



- Mentor Graphics Design Architect
- Mentor Graphics Design Expedition 99 and 2000
- OrCAD 9.X PCB and Capture
- PADS PowerPCB 3, 3.5, 4.X, and 5.X
- PADS PowerPCB and PowerLogic 3.0
- PCAD 2000, 2001, 2002, 2004, and 2006
- Pulsonix 8.5 or newer
- STL
- 3D STEP
- TARGET 3001!
- View Logic ViewDraw
- Quadcept
- Zuken CadStar 3 and 4
- Zuken CR-5000 and CR-8000

PCB Component Libraries (EDA), PCB CAD Library Ultra Librarian

CAE data

ZUKEN Portal 2065-100/998-403	URL	Download
-------------------------------	-----	----------

Environmental Product Compliance

Compliance Search

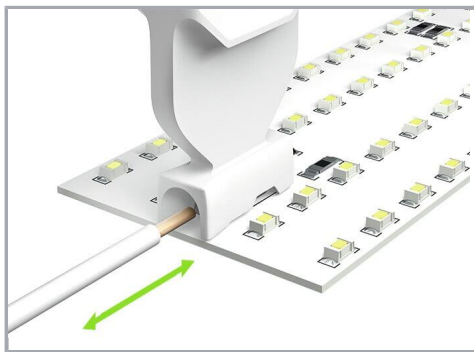
Environmental Product Compliance 2065-100/998-403	URL	Download
---	-----	----------

SMD PCB terminal block; push-button; 0.75 mm²; Pin spacing 6.5 mm; 1-pole; Push-in CAGE CLAMP®; in tape-and-reel packaging; Without housing; 0,75 mm²; silver-colored

Installation Notes

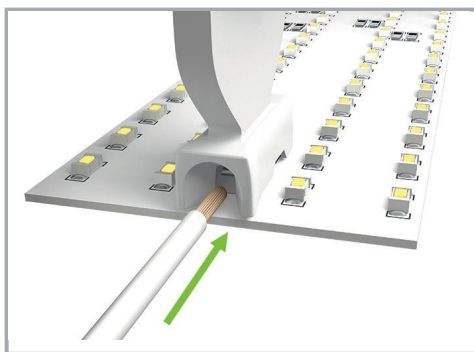
Conductor termination

Subject to changes. Please also observe the further product documentation!



Push-in CAGE CLAMP® variant: Insert fine-stranded conductors and remove all conductor types via operating tool. Solid conductors can also be terminated by simply pushing them in.

Conductor termination



The 2065-189 Operating Tool's funneled conductor entry securely guides all conductor types into the Push-in CAGE CLAMP®.

Subject to changes. Please also observe the further product documentation!