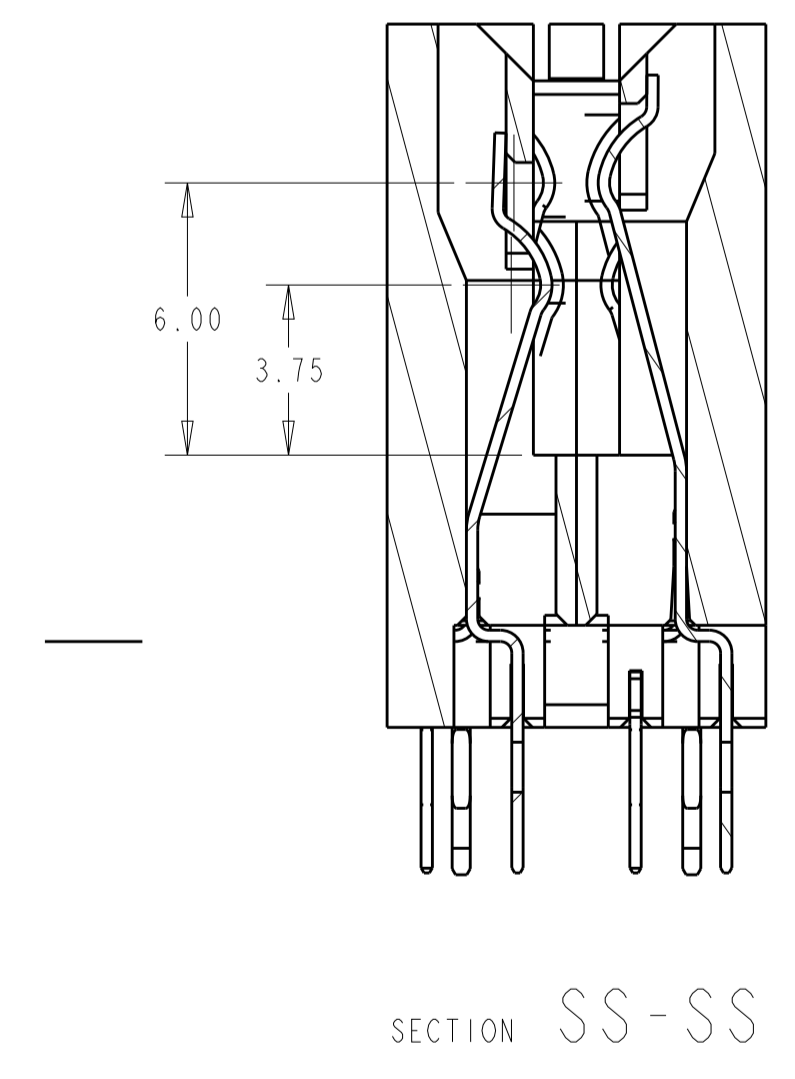
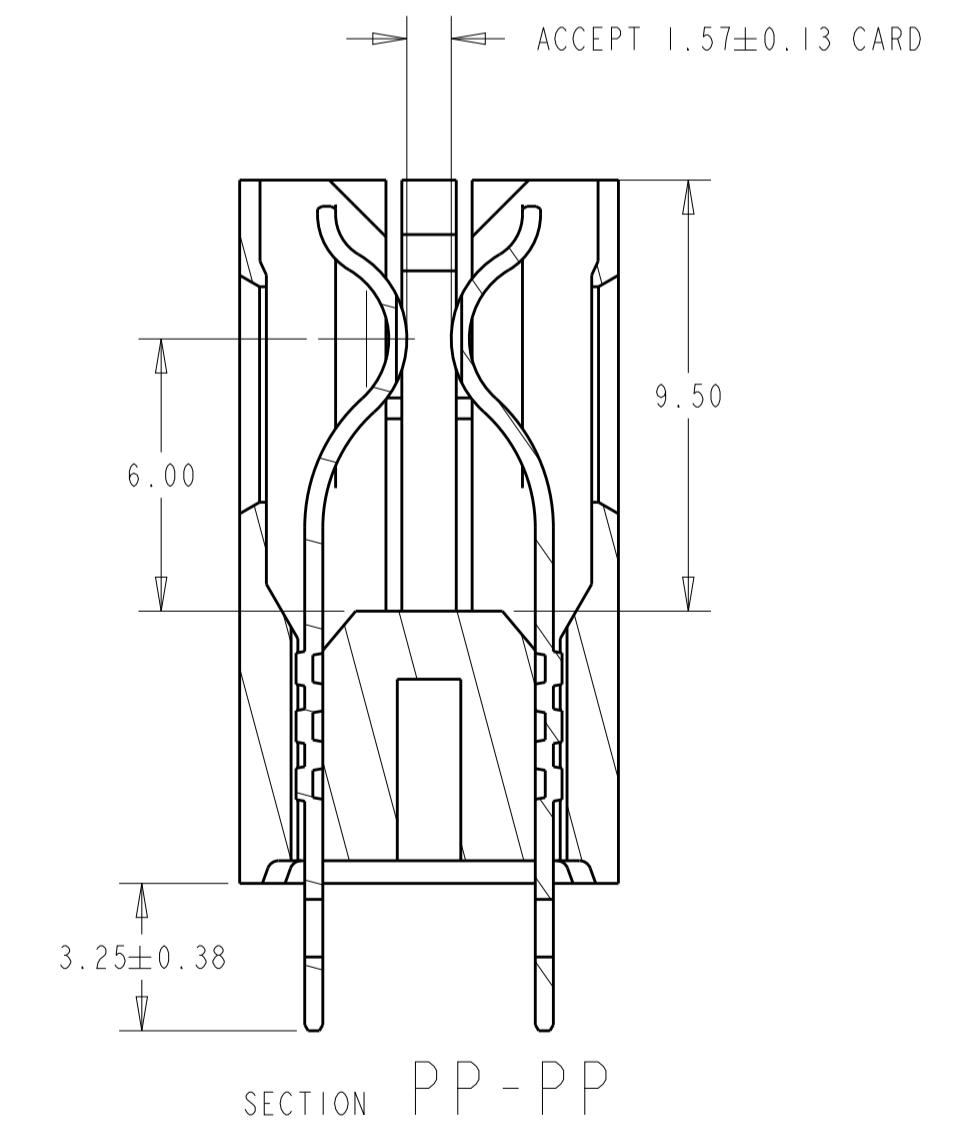
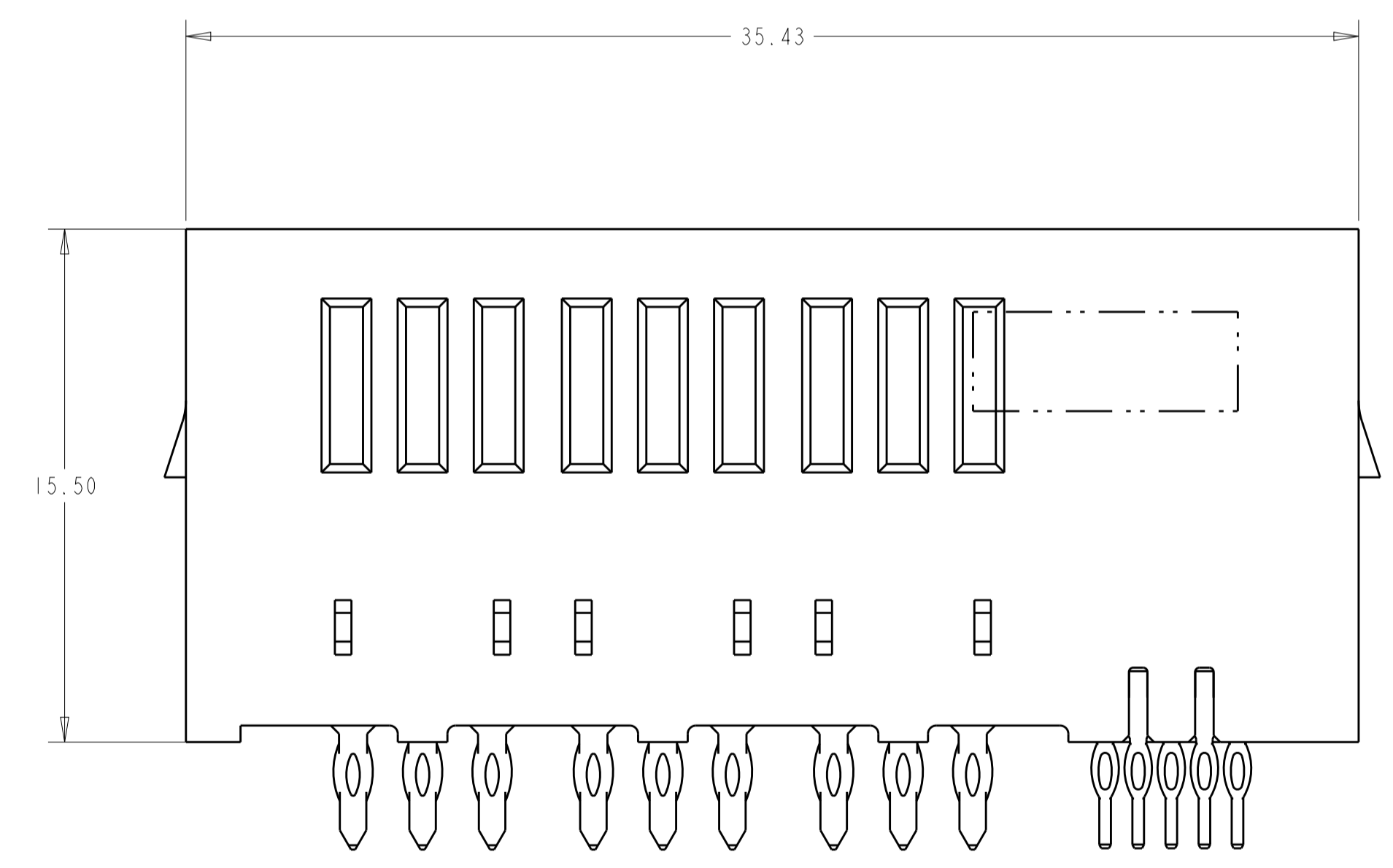
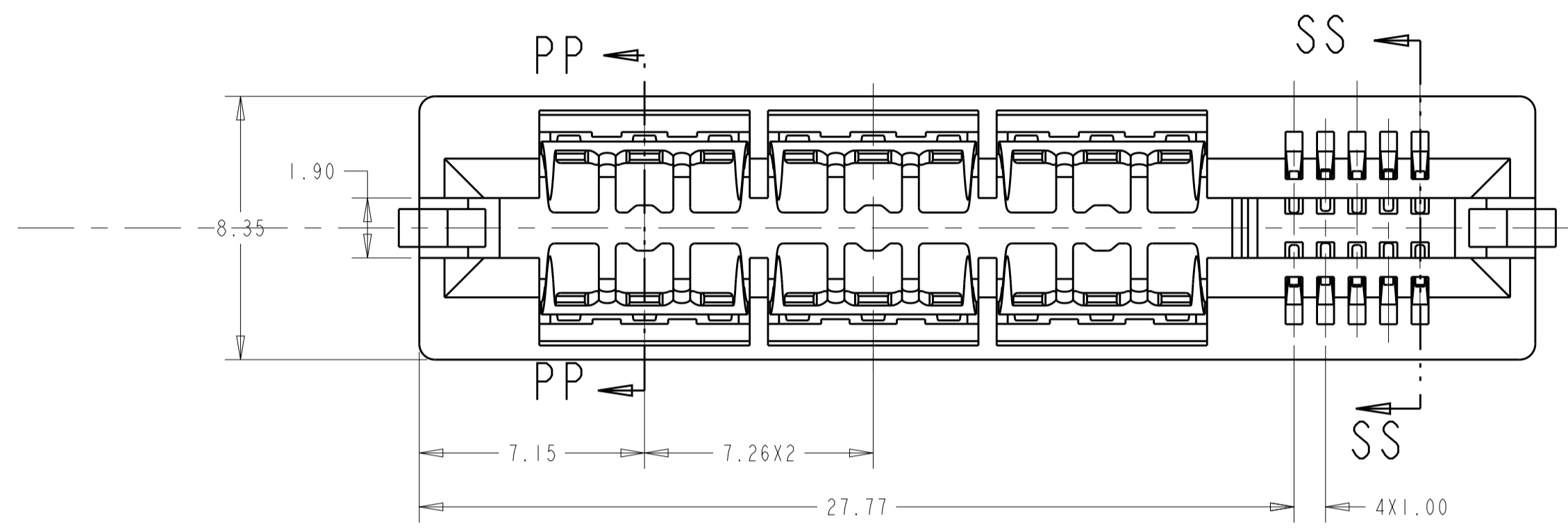


REVISIONS				
P.	LTN	DESCRIPTION	DATE	APVD
A		FIRST RELEASE	30AUG2016	SZ SZ

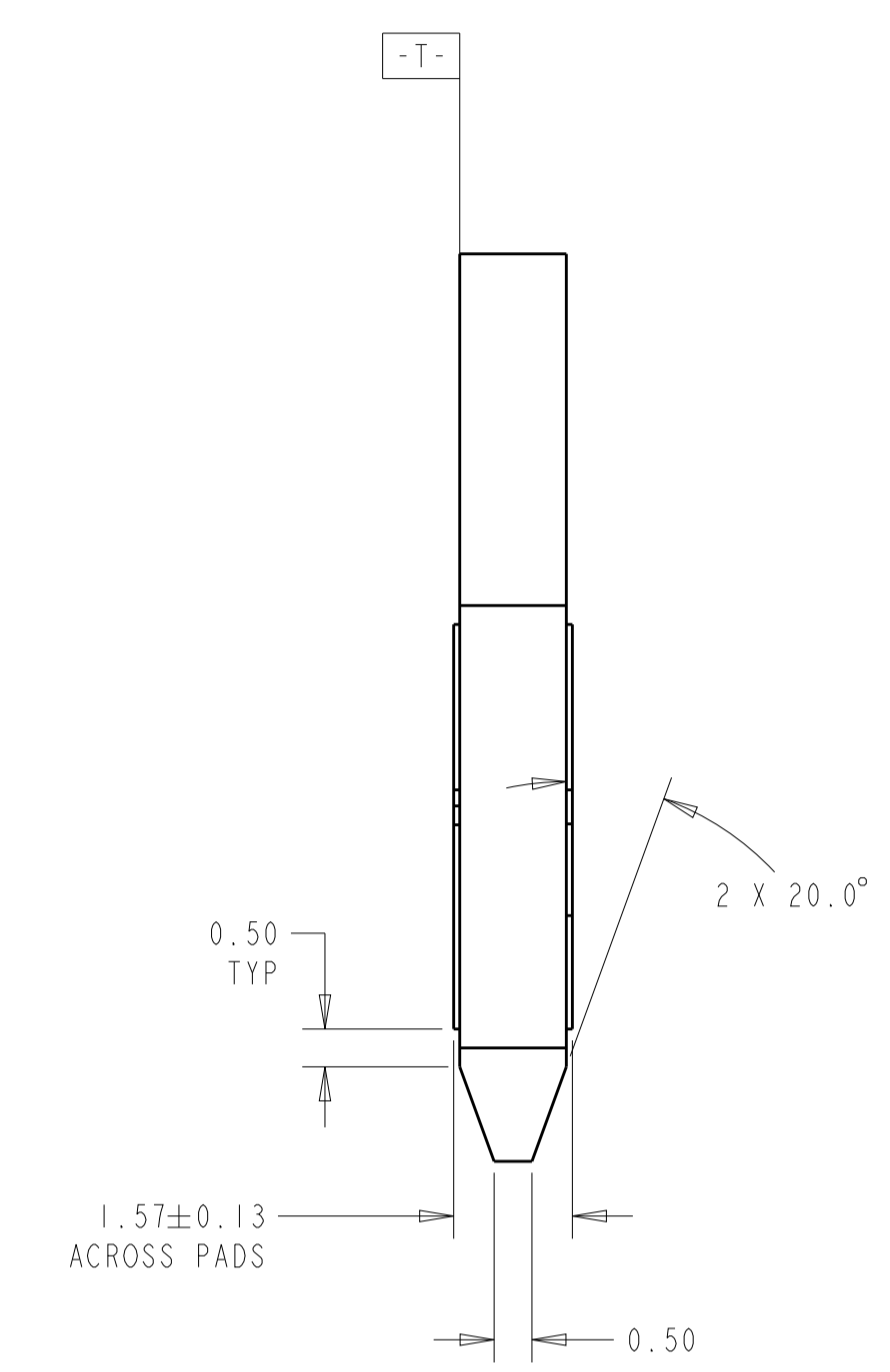
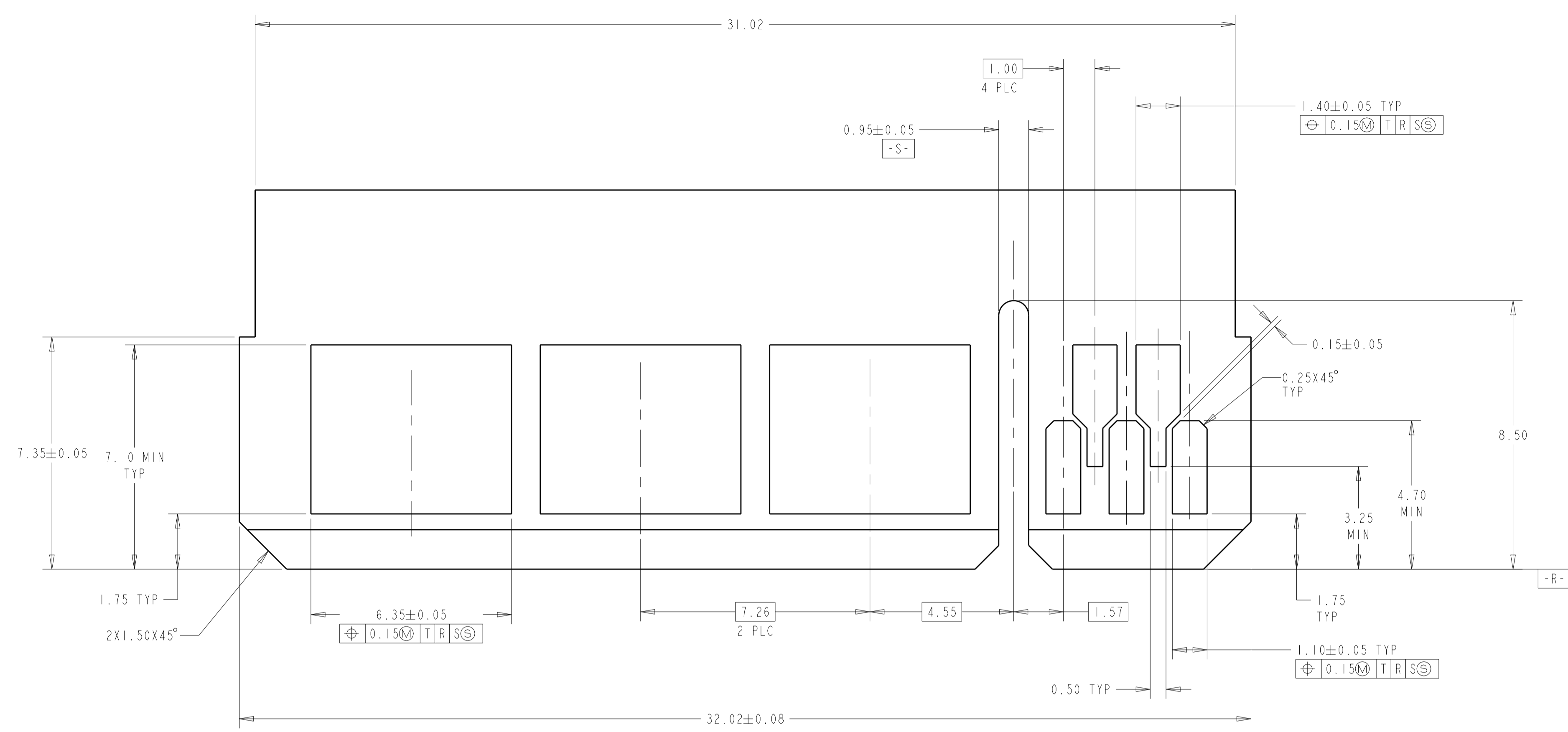
1. MATERIAL: HOUSING - THERMOPLASTIC, GLASS REINFORCED. COLOR: BLACK  
CONTACT - COPPER ALLOY
2. FINISH: CONTACT - GOLD PLATED OVER NICKEL.  
SOLDER TAILS - MATTE TIN OVER NICKEL
3. CONNECTOR ASSEMBLY MARKED WITH PART NUMBER AND DATE CODE IN THE APPROXIMATE AREA SHOWN
4. DATUMS AND BASIC DIMENSIONS TO BE ESTABLISHED BY CUSTOMER
5. MANUFACTURING TOLERANCE FOR 1.07mm DIAMETER FINISHED HOLE:  
 DRILLED HOLE =  $1.15 \pm 0.03$ mm  
 COPPER PLATE =  $0.050/0.025$ mm (MAX HARDNESS 150 KNOOP)  
 TIN/LEAD PLATE (HASL) =  $0.010/0.004$ mm
6. MANUFACTURING TOLERANCE FOR 0.70mm DIAMETER FINISHED HOLE:  
 DRILLED HOLE =  $0.78 \pm 0.03$ mm  
 COPPER PLATE =  $0.050/0.025$ mm (MAX HARDNESS 150 KNOOP)  
 TIN/LEAD PLATE (HASL) =  $0.010/0.004$ mm



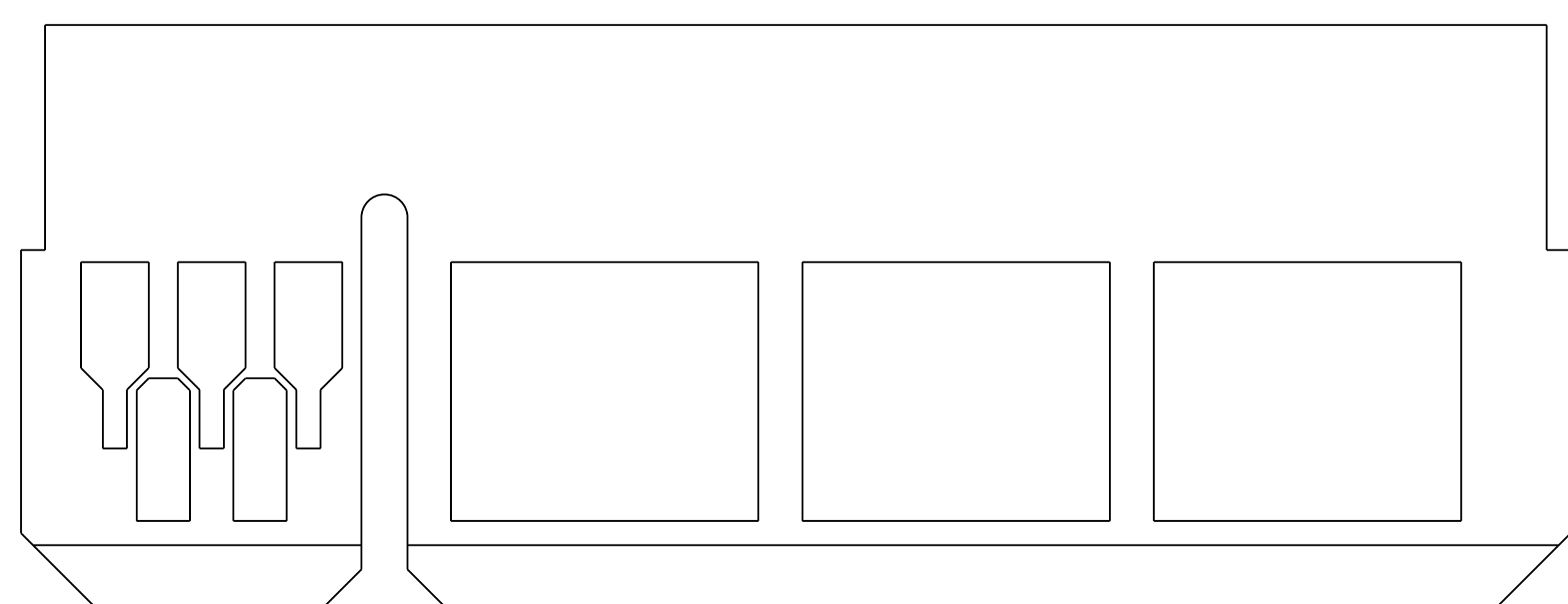
PART 2204072-1

THIS DRAWING IS A CONTROLLED DOCUMENT.		DWN L.A. WENSEL 05APR2012	TE Connectivity
DIMENSIONS: mm		CHK D. DEE IBAUGH 05APR2012	
		APVD S. FLICKINGER 05APR2012	NAME CONNECTOR ASSEMBLY, MULTI-BEAM CE POWER/SIGNAL, VERTICAL, EYE OF THE NEEDLE
TOLERANCES UNLESS OTHERWISE SPECIFIED:		PRODUCT SPEC	SIZE A1
0 PLC ±		APPLICATION SPEC	CAGE CODE 00779
1 PLC ±0.5		WEIGHT	DRAWING NO 2204072
2 PLC ±0.25		CUSTOMER DRAWING	RESTRICTED TO
3 PLC ±		SCALE 3:1	SHEET 1 OF 3
4 PLC ±		SCALE	REV A
ANGLES ±4°			
MATERIAL SEE NOTE 1	FINISH SEE NOTE 2		

REVISIONS				
P.	LTN	DESCRIPTION	DATE	APVD
-	-	SEE SHEET 1	-	-



RECOMMENDED MATING CARD EDGE CONFIGURATION

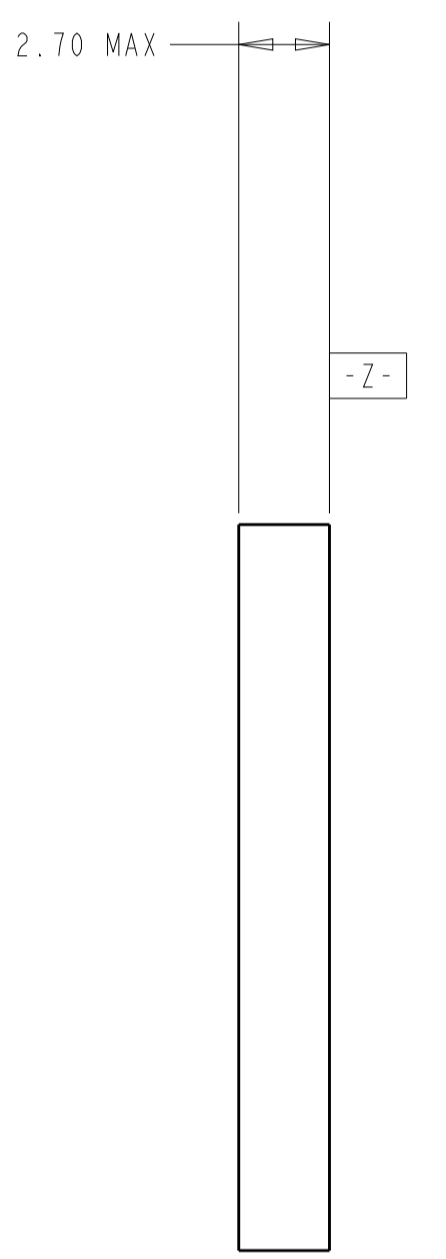
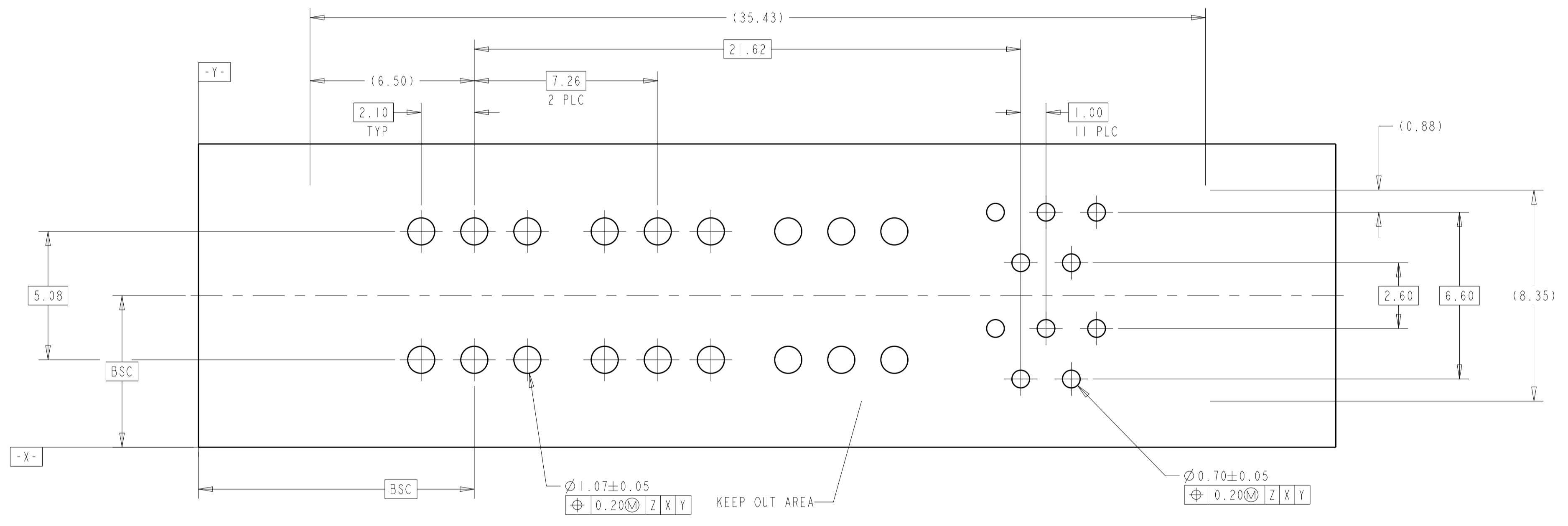


RECOMMENDED MATING CARD EDGE CONFIGURATION  
 SECOND SIDE SHOW

THIS DRAWING IS A CONTROLLED DOCUMENT.		DWN L.A. WENSEL 05APR2012	TE Connectivity
DIMENSIONS: mm		CHK D. DEFIBAUGH 05APR2012	
TOLERANCES UNLESS OTHERWISE SPECIFIED:		APVD S. FLICKINGER 05APR2012	NAME CONNECTOR ASSEMBLY, MULTI-BEAM CE POWER/SIGNAL, VERTICAL, EYE OF THE NEEDLE
0 PLC ± 1 PLC ±0.3 2 PLC ±0.13 3 PLC ± 4 PLC ± ANGLES ±4°		PRODUCT SPEC	
MATERIAL SEE NOTE 1		FINISH SEE NOTE 2	APPLICATION SPEC
WEIGHT		RESTRICTED TO	SIZE CAGE CODE DRAWING NO
CUSTOMER DRAWING		SCALE 4:1	SHEET 2 OF 3
REV A		REV A	REV A

THIS DRAWING IS UNPUBLISHED. RELEASED FOR PUBLICATION 20  
COPYRIGHT 20 TECONNECTIVITY ALL RIGHTS RESERVED.

REVISIONS				
P.	LTN	DESCRIPTION	DATE	APP'D
-	-	SEE SHEET 1	-	-



RECOMMEND FOOTPRINT

THIS DRAWING IS A CONTROLLED DOCUMENT.		DWN L.A. WENSEL 05APR2012	TE Connectivity
DIMENSIONS: mm		CHK D. DEFIBAUGH 05APR2012	
		APVD S. FLICKINGER 05APR2012	NAME CONNECTOR ASSEMBLY, MULTI-BEAM CE POWER/SIGNAL, VERTICAL, EYE OF THE NEEDLE
TOLERANCES UNLESS OTHERWISE SPECIFIED: 0 PLC ±. 1 PLC ±0.3 2 PLC ±0.13 3 PLC ±. 4 PLC ±. ANGLES ±6°		PRODUCT SPEC APPLICATION SPEC	SIZE A1
MATERIAL SEE NOTE 1	FINISH SEE NOTE 2	WEIGHT -	CAGE CODE DRAWING NO 00779 C=2204072
CUSTOMER DRAWING		SCALE 4:1	RESTRICTED TO SHEET 3 OF 3 REV A