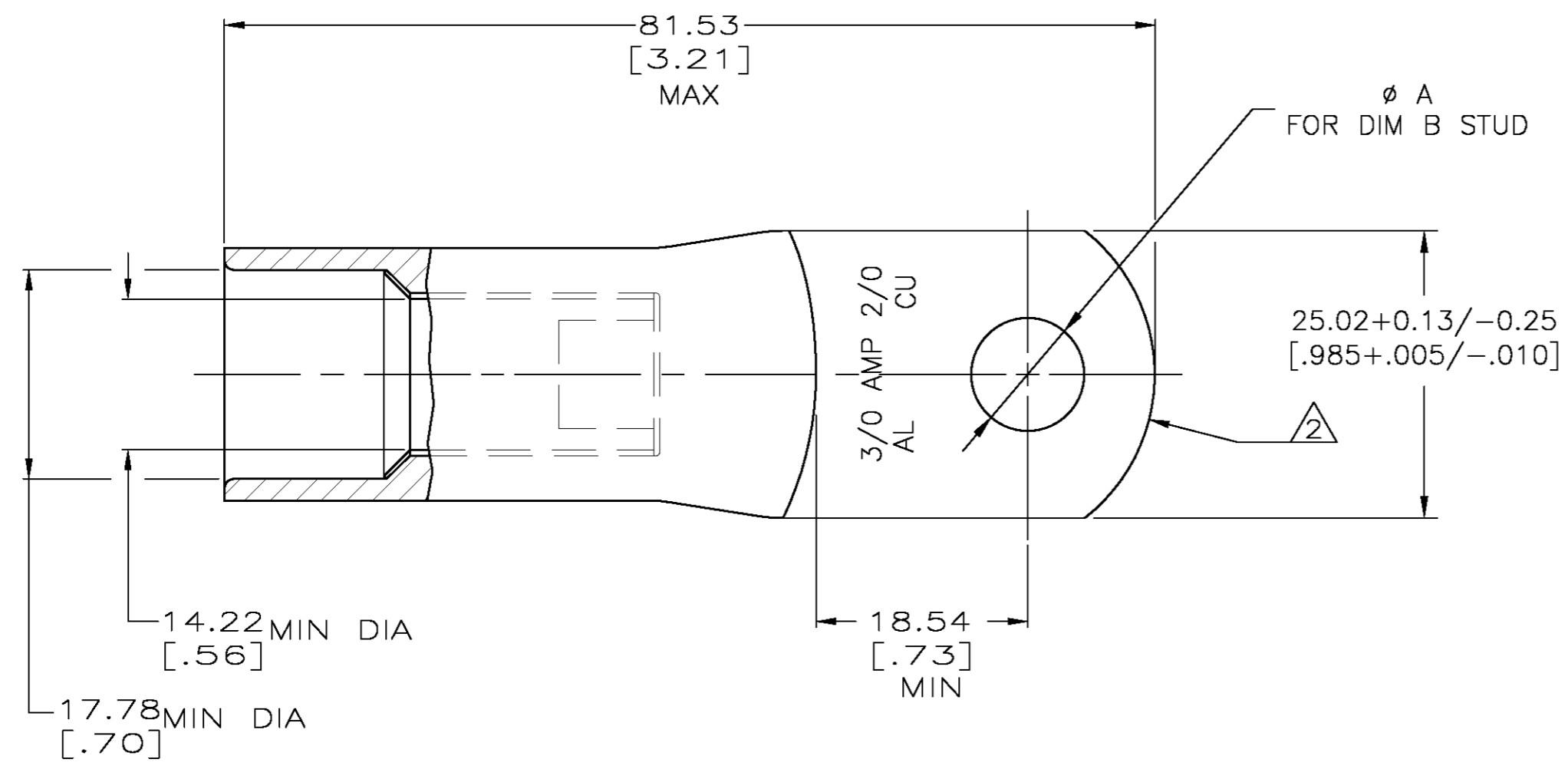
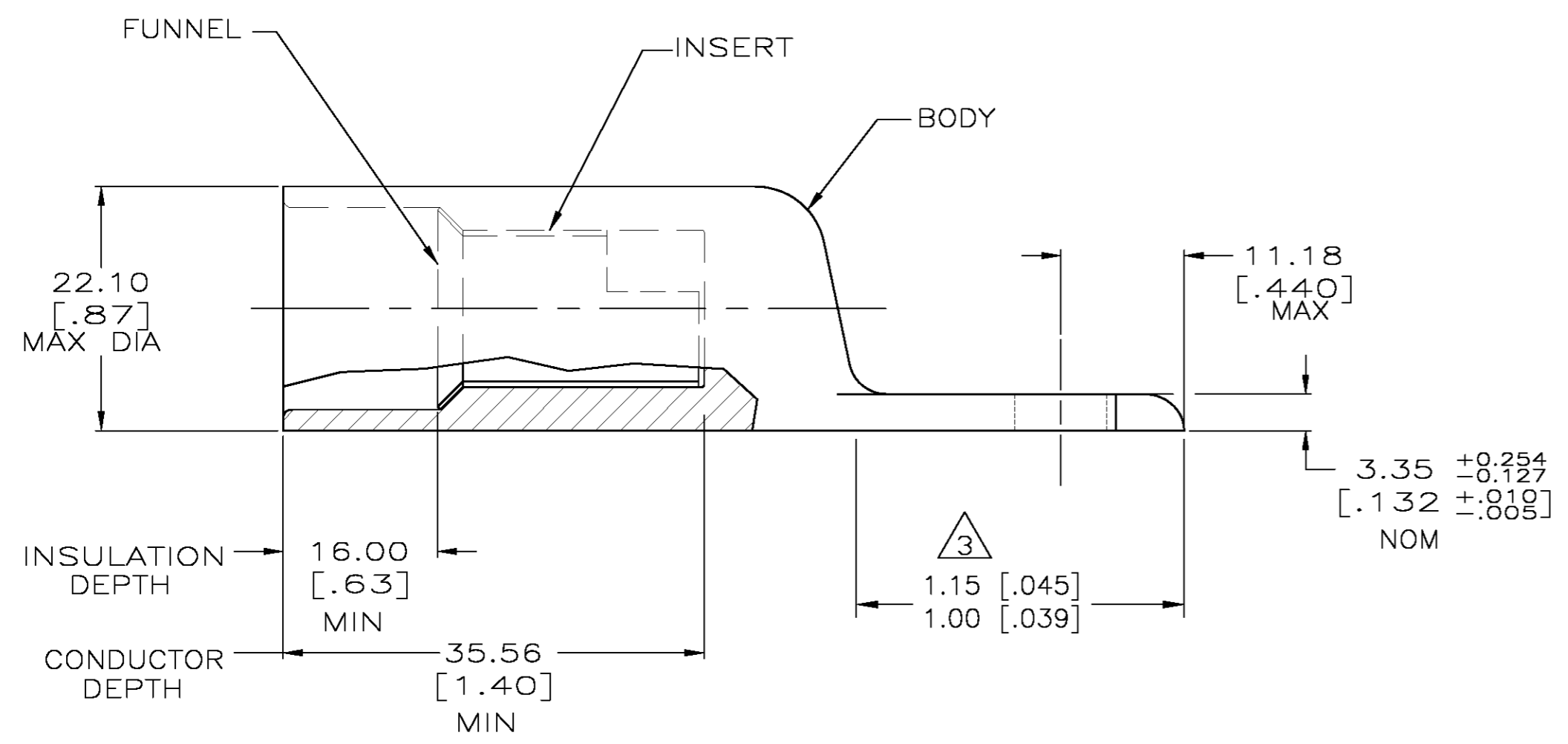


REVISIONS				
P	LTR	DESCRIPTION	DATE	APVD
N		REV PER ECO 17-018244	12-13-17	CT PD



1. WIRE INSULATION: 13.21[.520] - 16.38[.645] DIA
2. THE TONGUE RADIUS FEATURE IS NOT A TOOLING DIMENSION AND MAY NOT BE A TRUE RADIUS.
3. BOTTOM SURFACE OF TONGUE MILLED TO FLATNESS OF .003, 277153-2 ONLY.
4. PRELIMINARY- NOT RELEASED FOR PRODUCTION
5. WEIGHT: 117 GRAMS



8.33±0.13 [.328±.005]	5/16	277153-3
9.91±0.13 [.390±.005]	3/8	277153-2
9.91±0.13 [.390±.005]	3/8	277153-1
∅ A	DIM "B"	PART NO.

BODY: COPPER ASTM-B187 ANNEALED TIN PL MIL-T-10727 0.00381[.000150] MIN THK	277153-3
INSERT & FUNNEL: BRASS ASTM B36 NICKEL PL SAE AMS QQ-N-290A, DATED JULY 2000, 0.00254 [.000100] MIN THK	277153-2
	277153-1
MATERIAL & FINISH	PART NO.

THIS DRAWING IS A CONTROLLED DOCUMENT. DIMENSIONING AND TOLERANCING PER ASME Y14.5M (ISO STANDARDS)		DWN DK SCHRUM 6/23/89	STE TE Connectivity	
DIMENSIONS: mm [INCHES]		CHK MS FEHER 10/16/90		
TOLERANCES UNLESS OTHERWISE SPECIFIED:		APVD AJ KAUFMAN 10/23/90	NAME	
0 PLC ± -	1 PLC ± -	PRODUCT SPEC 108-11011	TERMINAL, RING TONGUE, SEALED COPALUM	
2 PLC ± -	3 PLC ± .005	APPLICATION SPEC 114-2134	87.2mm2 [3/0] ALUMINUM	
4 PLC ± -	ANGLES ± -	WEIGHT 0.000000	SIZE A2	CAGE CODE 00779
MATERIAL SEE TABLE	FINISH SEE TABLE	CUSTOMER DRAWING	DRAWING NO. C=277153	RESTRICTED TO -
			SCALE 2:1	SHEET 1 OF 1
			REV N	