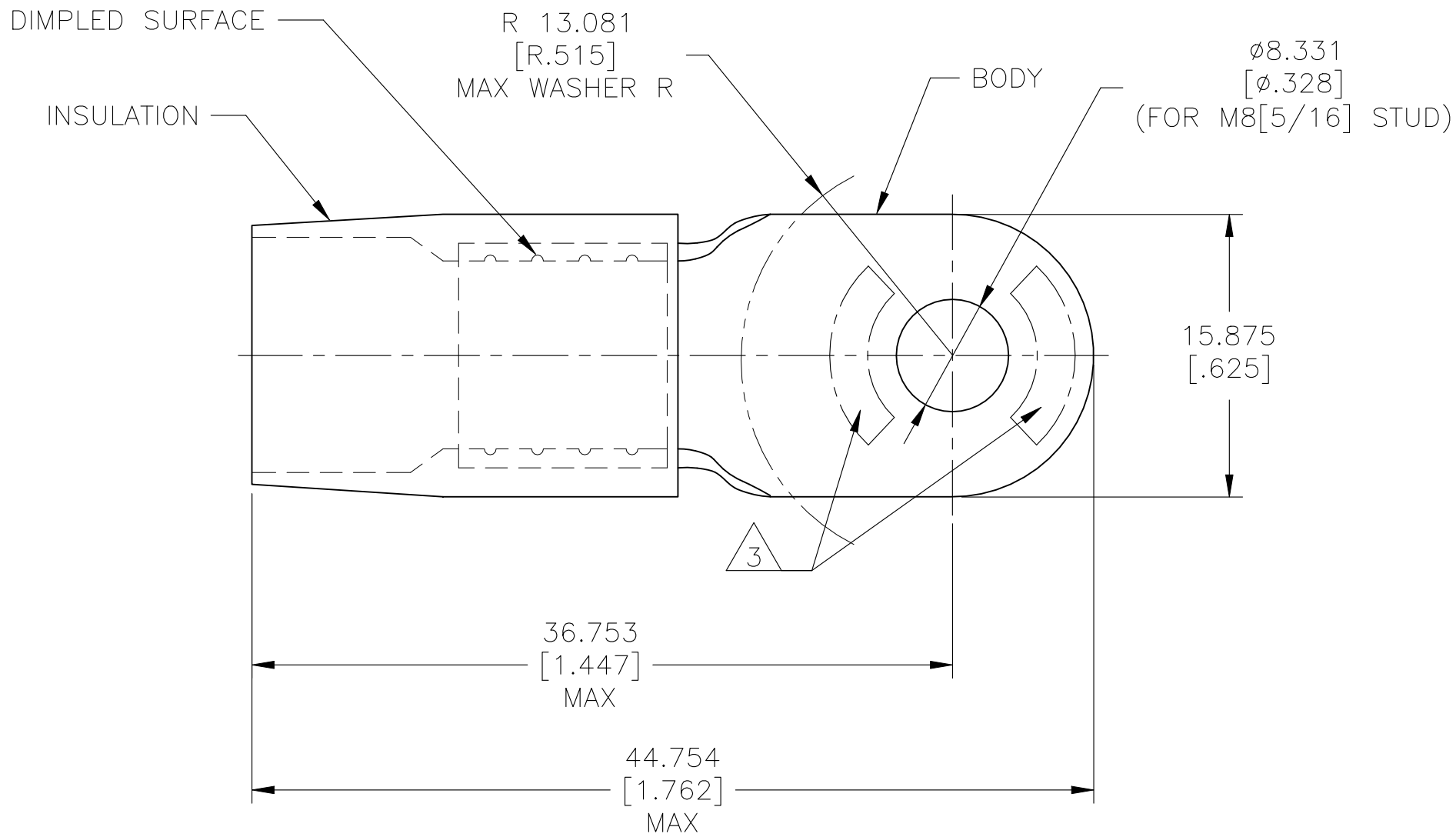
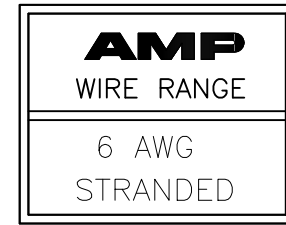


REVISIONS

P	LTR	DESCRIPTION	DATE	DWN	APVD
	G2	ECN-22-150900	27APR2022	RK	CSD



- 1 BODY MATERIAL THK 1.143±0.051[.045±.002]
- 2 FOR Ø7.975[Ø.314] MAX WIRE INS.
- 3 STAMP AMP 6* 23-30 APPROX AS SHOWN.

100	LOOSE PC	324048
QTY	PACKAGE TYPE	PART NO

AMP INCORPORATED CUSTOMER SERVICE SYSTEMS		MAX RECOMMENDED OPERATING TEMPERATURE: 105°C[221°F]	THIS DRAWING IS A CONTROLLED DOCUMENT.		DWN S.S. GOULDEN 6-18-93	TE Connectivity NAME TERMINAL, RING TONGUE, TERMINYL WIRE SIZE: 6 AWG										
FOR ADDITIONAL PRODUCT INFORMATION OR COPIES OF DRAWINGS AND TECHNICAL DOCUMENTS	PRODUCT INFORMATION CENTER 1-800-522-6752	VOLTAGE RATING: -	DIMENSIONS: mm [INCHES]	TOLERANCES UNLESS OTHERWISE SPECIFIED:	CHK R. HERSEY 6-18-93					APVD B. BARE 6-18-93	PRODUCT SPEC	APPLICATION SPEC	RESTRICTED TO			
FOR APPLICATION TOOLING INFORMATION	TOOLING ASSISTANCE CENTER 1-800-722-1111	CIRCULAR MIL AREA: 10.5-16.8mm ² [20,800-33,100] STRANDED			0 PLC ± -	1 PLC ± -	2 PLC ± -	3 PLC ± 0.127[.005]	4 PLC ± -	ANGLES ± -	SIZE A3	CAGE CODE 00779	DRAWING NO C-324048	SCALE NTS	SHEET 1 OF 1	REV G2
FOR ORDER ENTRY	1-800-526-5142	THIS DRAWING IS A CONTROLLED DOCUMENT FOR AMP INCORPORATED. IT IS SUBJECT TO CHANGE AND THE CONTROLLING ENGINEERING ORGANIZATION SHOULD BE CONTACTED FOR THE LATEST REVISION.		MATERIAL BODY: COPPER PER ASTM B-152 INSULATION: NYLON ASTM D4066 TYPE I	FINISH BODY: TIN PLATE PER ASTM B545 INSULATION: COLOR-BLUE		WEIGHT -	CUSTOMER DRAWING								