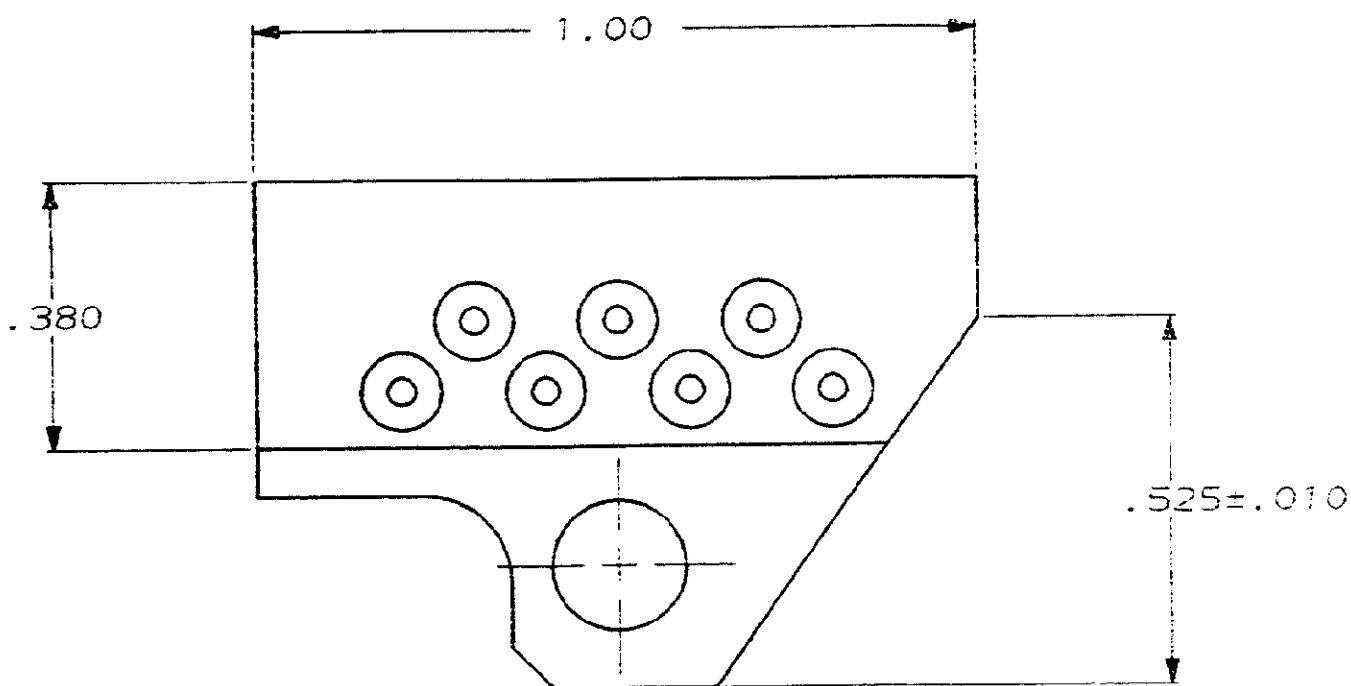


DRAWING MADE IN THIRD ANGLE PROJECTION

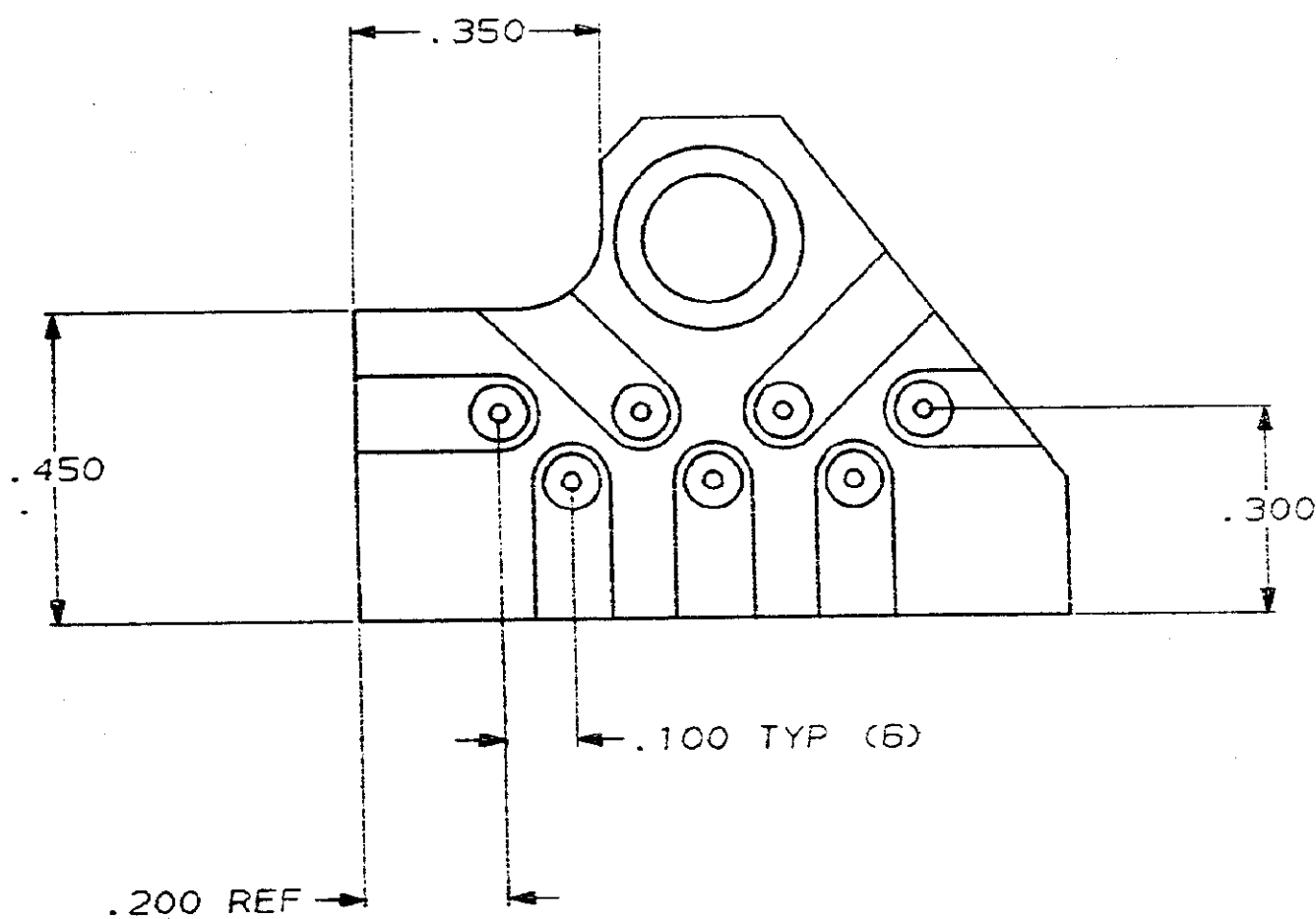
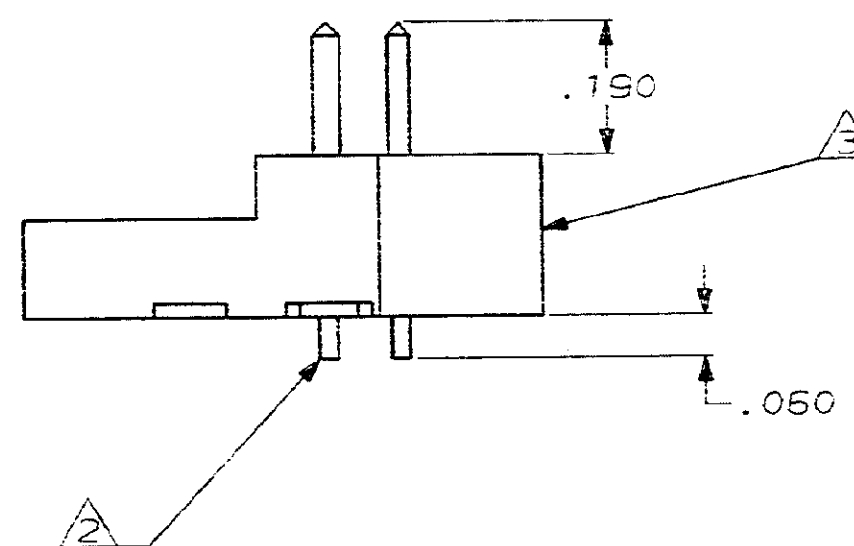
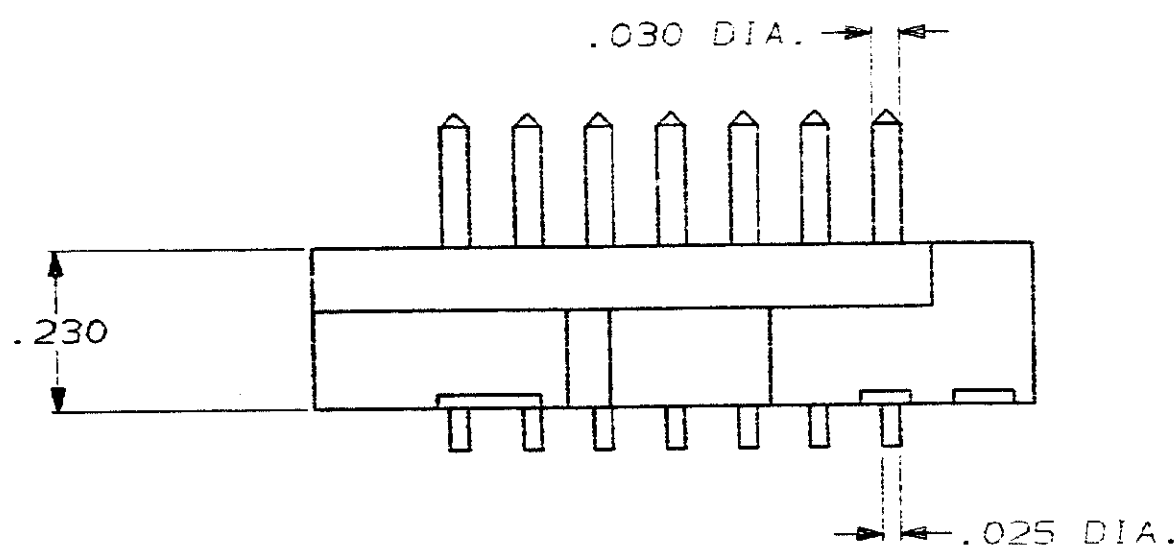
THIS DRAWING IS UNPUBLISHED. RELEASED FOR PUBLICATION .19

© COPYRIGHT 19 BY AMP INCORPORATED. ALL INTERNATIONAL RIGHTS RESERVED.

LOC		DIST		REVISIONS				
DF	A1	P	F	ZONE	LTR	DESCRIPTION	DATE	APPD
					C	REVISED PER ECN DF-4405	DES	5-29-91
					D	REV PER ECN DF-5896	ETG	02-18-92



- ⚠ MATERIAL: GLASS FILLED THERMOPLASTIC VO RATED PER MIL-M-24519. COLOR: BLACK
- ⚠ THIS END SOLDER DIPPED IN ACCORDANCE WITH MIL STD 202, METHOD 208.
- ⚠ CUST P/N, "AMP" AND DATE CODE LOCATED IN THIS APPROXIMATE AREA.



---		⚠ 447276-2	
11750884		⚠ 447276-2	
CUSTOMER PART NO		MATERIAL	
		PART NO	
DO NOT SCALE PRINT. UNLESS SPECIFIED DIMENSIONS IN INCHES TOLERANCES ON:		AMP AMP Incorporated Harrisburg, PA 17105-3608	
2 PLC DEC ± .01			
3 PLC DEC ± .005			
MATERIAL		NAME	
⚠		FUZE SYSTEM CONNECTOR	
		FLAT CABLE	
		(7 POSITION)	
FINISH		SIZE	CAGE CODE
		Ⓢ	00779
		DRAWING NO	
		447276	
WEIGHT		SCALE	SHEET
		4:1	1 OF 1

CUSTOMER DRAWING