

PLEASE CHECK WWW.MOLEX.COM FOR LATEST PART INFORMATION

Part Number: [0554514070](#)
Status: **Active**
Description: 1.25mm Pitch Mi II System Wire-to-Board Header, Dual Row, Vertical, 40 Circuits

Documents:

[3D Model](#) [Product Specification PS-54596-019-001 \(PDF\)](#)
[Drawing \(PDF\)](#) [RoHS Certificate of Compliance \(PDF\)](#)

General

Product Family PCB Headers
Series [55451](#)
Application Signal, Wire-to-Board
Product Name Mini Mi II
UPC 756054760949

Physical

Breakaway No
Circuits (Loaded) 40
Circuits (maximum) 40
Color - Resin Natural
Durability (mating cycles max) 30
First Mate / Last Break No
Glow-Wire Capable No
Guide to Mating Part No
Keying to Mating Part Yes
Lock to Mating Part Yes
Material - Plating Mating Tin
Material - Plating Termination Tin
Material - Resin Nylon
Net Weight 1551.000/mg
Number of Rows 2
Orientation Vertical
PC Tail Length 3.00mm
PCB Locator Yes
PCB Retention Yes
PCB Thickness - Recommended 1.60mm
Packaging Type Tray
Pitch - Mating Interface 1.25mm
Shrouded Fully
Stackable No
Surface Mount Compatible (SMC) No
Temperature Range - Operating -40° to +105°C
Termination Interface: Style Through Hole

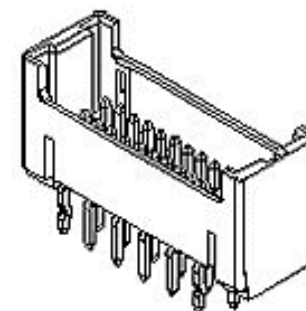
Electrical

Current - Maximum per Contact 1.5A
Voltage - Maximum 100V

Material Info

Reference - Drawing Numbers

Product Specification PS-54596-019-001
Sales Drawing SD-55451-006



Series image - Reference only

EU ELV

Not Relevant

EU RoHS

Compliant

REACH SVHC

Not Contained Per -
ED/61/2018 (27 June
2018)

Halogen-Free

Status

Not Low-Halogen

**Need more information on product
environmental compliance?**

Email productcompliance@molex.com
Please visit the [Contact Us](#) section for any
non-product compliance questions.

China ROHS	Green Image
ELV	Not Relevant
Prop65	Compliant
RoHS Phthalates	Not Contained

Search Parts in this Series

[55451](#) Series

Mates With

[54596](#) IDT Receptacle Housing