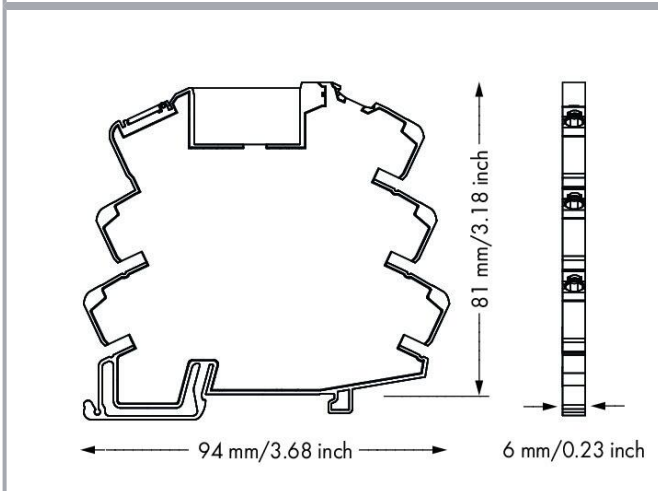
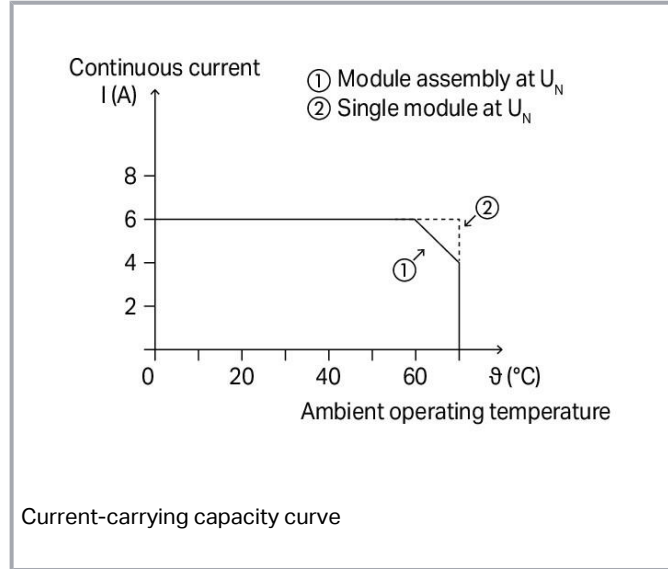
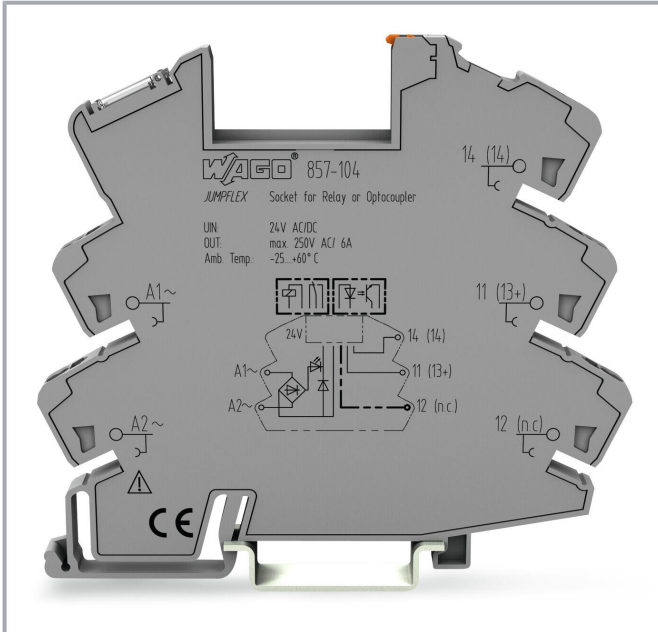


# Data sheet | Item number: 857-104

Relay socket; Nominal input voltage: 24 V AC/DC; for 5 mm basic relays;  
Yellow status indicator



[www.wago.com/857-104](http://www.wago.com/857-104)



## Data Notes

Note: The relay/SSR used influences the electrical properties of the module.

Subject to changes. Please also observe the further product documentation!

WAGO GmbH & Co. KG  
Hansastr. 27  
32423 Minden  
Phone: +49571 887-0 | Fax: +49571 887-169  
Email: [info.de@wago.com](mailto:info.de@wago.com) | Web: [www.wago.com](http://www.wago.com)

Do you have any questions about our products?  
We are always happy to take your call at +49 (571) 887-44222.



## Technical data

### Control Circuit

Nominal input voltage $U_N$	AC/DC 24 V
-----------------------------	------------

### Load circuit

Limiting continuous current	6 A
Switching voltage (max.)	AC 250 V

### Signaling

Status indicator	Yellow LED
------------------	------------

### Safety and protection

Rated voltage	300 V
Rated surge voltage	4 kV
Type of circuits	Mains circuits
Overvoltage category	III
Pollution degree	2
Dielectric strength (control/load circuit) (AC, 1 min)	3.51 kVrms
Dielectric strength (open contact) (AC, 1 min)	1 kVrms
Insulation type (control/load circuit)	Reinforced insulation (safe isolation)
Insulation type (between adjacent devices of the same type)	Reinforced insulation (safe isolation)
Protection type	IP20

### Connection data

Connection technology	Push-in CAGE CLAMP®
Solid conductor	0.34 ... 2.5 mm <sup>2</sup> / 22 ... 14 AWG
Fine-stranded conductor	0.34 ... 2.5 mm <sup>2</sup> / 22 ... 14 AWG
Fine-stranded conductor; with insulated ferrule	0.34 ... 1.5 mm <sup>2</sup> / 22 ... 16 AWG
Strip length	9 ... 10 mm / 0.35 ... 0.39 inches

### Physical data

Width	6 mm / 0.236 inches
Height	94 mm / 3.701 inches
Depth from upper-edge of DIN-rail	81 mm / 3.189 inches

Subject to changes. Please also observe the further product documentation!

WAGO GmbH & Co. KG  
 Hansastr. 27  
 32423 Minden  
 Phone: +49571 887-0 | Fax: +49571 887-169  
 Email: [info.de@wago.com](mailto:info.de@wago.com) | Web: [www.wago.com](http://www.wago.com)

Do you have any questions about our products?  
 We are always happy to take your call at +49 (571) 887-44222.



## Mechanical data

Mounting type	DIN-35 rail
Mounting position	Horizontal (standing/lying); vertical

## Material Data

Fire load	0.552 MJ
Weight	26.3 g

## Environmental requirements

Ambient temperature (operation at $U_N$ )	-40 ... +70 °C
Ambient temperature (storage)	-40 ... +70 °C
Processing temperature	-25 ... +50 °C
Temperature range of connection cable	$\geq (T_{\text{ambient}} + 30 \text{ K})$
Relative humidity	5 ... 85 % (no condensation permissible)
Operating altitude (max.)	2000 m

## Standards and specifications

Standards/specifications	EN 61010-2-201 UR
--------------------------	----------------------

## Commercial data

Product Group	6 (INTERFACE ELECTRONIC)
eCl@ss 10.0	27-37-16-03
eCl@ss 9.0	27-37-16-03
ETIM 8.0	EC001456
ETIM 7.0	EC001456
PU (SPU)	25 (1) pcs
Packaging type	box
Country of origin	CN
GTIN	4055143093729
Customs tariff number	85366990990

## Environmental Product Compliance

CAS-No.	7439-92-1 79-94-7
---------	----------------------

Subject to changes. Please also observe the further product documentation!



REACH Candidate List Substance	2,2',6,6'-tetrabromo-4,4'-isopropylidenediphenol Lead
RoHS Compliance Status	Compliant,With Exemption
RoHS Exemption	6(c) 7(a) 7(c)-I 7(c)-II
SCIP notification number (Bulgaria)	824c20c8-8ea8-4912-bf31-2cc749605a4f
SCIP notification number (Czech Republic)	f3d3e59b-5766-4f2d-8a38-51eb0818ead9

## Approvals / Certificates

### General approvals

Logo	Approval	Additional Approval Text	Certificate name
	EAC Brjansker Zertifizierungsstelle	TP TC 004/2011	EAC RU C-DE.AM02.B.00122 /19
	UL Underwriters Laboratories Inc. (ORDINARY LOCATIONS)	UL 508	E175199 Vol.2 Sec. 1

### Declarations of conformity and manufacturer's declarations

Logo	Approval	Additional Approval Text	Certificate name
	EU-Declaration of Conformity WAGO GmbH & Co. KG	-	-
	UK-Declaration of Conformity WAGO GmbH & Co. KG	-	-

## Optional accessories

### Marking accessories

Marking strip	
	Item no.: 2009-110 Marking strips; for Smart Printer; on reel; not stretchable; plain; snap-on type; white
	<a href="http://www.wago.com/2009-110">www.wago.com/2009-110</a>

Subject to changes. Please also observe the further product documentation!

Double marker carrier



**Item no.: 209-128**  
Adaptor; gray

[www.wago.com/209-128](http://www.wago.com/209-128)

Marking devices



**Item no.: 210-110**  
Fiber-tip pen

[www.wago.com/210-110](http://www.wago.com/210-110)

Protective marker cover



**Item no.: 209-184**  
Protection cover; transparent

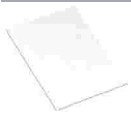
[www.wago.com/209-184](http://www.wago.com/209-184)

Marker



**Item no.: 2009-115**  
WMB-Inline; for Smart Printer; 1500 pieces on roll; stretchable 5 - 5.2 mm; plain; snap-on type; white

[www.wago.com/2009-115](http://www.wago.com/2009-115)



**Item no.: 209-183**  
Marker; white

[www.wago.com/209-183](http://www.wago.com/209-183)



**Item no.: 793-501**  
WMB marking card; as card; not stretchable; plain; snap-on type; white

[www.wago.com/793-501](http://www.wago.com/793-501)



**Item no.: 793-502**  
WMB marking card; as card; MARKED; 1 ... 10 (10x); not stretchable; Horizontal marking; snap-on type; white

[www.wago.com/793-502](http://www.wago.com/793-502)



**Item no.: 793-503**  
WMB marking card; as card; MARKED; 11 ... 20 (10x); not stretchable; Horizontal marking; snap-on type; white

[www.wago.com/793-503](http://www.wago.com/793-503)



**Item no.: 793-504**  
WMB marking card; as card; MARKED; 21 ... 30 (10x); not stretchable; Horizontal marking; snap-on type; white

[www.wago.com/793-504](http://www.wago.com/793-504)



**Item no.: 793-505**  
WMB marking card; as card; MARKED; 31 ... 40 (10x); not stretchable; Horizontal marking; snap-on type; white

[www.wago.com/793-505](http://www.wago.com/793-505)



**Item no.: 793-506**  
WMB marking card; as card; MARKED; 41 ... 50 (10x); not stretchable; Horizontal marking; snap-on type; white

[www.wago.com/793-506](http://www.wago.com/793-506)



**Item no.: 793-566**  
WMB marking card; as card; MARKED; 1 ... 50 (2x); not stretchable; Horizontal marking; snap-on type; white

[www.wago.com/793-566](http://www.wago.com/793-566)



**Item no.: 793-5501**  
WMB marking card; as card; for terminal block width 5 - 17.5 mm; stretchable 5 - 5.2 mm; plain; snap-on type; white

[www.wago.com/793-5501](http://www.wago.com/793-5501)

Group marker carrier

Subject to changes. Please also observe the further product documentation!



**Item no.: 249-105**  
Group marker carrier; gray

[www.wago.com/249-105](http://www.wago.com/249-105)

**Tool**

Operating tool



**Item no.: 210-720**  
Operating tool; Blade: 3.5 x 0.5 mm; with a partially insulated shaft; multicoloured

[www.wago.com/210-720](http://www.wago.com/210-720)

**Ferrule**

Ferrule



**Item no.: 216-241**  
Ferrule; Sleeve for 0.5 mm<sup>2</sup> / 20 AWG; insulated; electro-tin plated; electrolytic copper; gastight crimped; acc. to DIN 46228, Part 4/09.90; white

[www.wago.com/216-241](http://www.wago.com/216-241)



**Item no.: 216-242**  
Ferrule; Sleeve for 0.75 mm<sup>2</sup> / 18 AWG; insulated; electro-tin plated; electrolytic copper; gastight crimped; acc. to DIN 46228, Part 4/09.90; gray

[www.wago.com/216-242](http://www.wago.com/216-242)



**Item no.: 216-243**  
Ferrule; Sleeve for 1 mm<sup>2</sup> / AWG 18; insulated; electro-tin plated; electrolytic copper; gastight crimped; acc. to DIN 46228, Part 4/09.90; red

[www.wago.com/216-243](http://www.wago.com/216-243)



**Item no.: 216-244**  
Ferrule; Sleeve for 1.5 mm<sup>2</sup> / AWG 16; insulated; electro-tin plated; electrolytic copper; gastight crimped; acc. to DIN 46228, Part 4/09.90; black

[www.wago.com/216-244](http://www.wago.com/216-244)

**Jumpers**

Jumper



**Item no.: 859-408**  
Jumper; for jumper slot; 8-way; insulated; light gray

[www.wago.com/859-408](http://www.wago.com/859-408)



**Item no.: 281-482**  
Jumper; 2-way; insulated; gray

[www.wago.com/281-482](http://www.wago.com/281-482)



**Item no.: 859-404/000-005**  
Jumper; for jumper slot; 4-way; insulated; red

[www.wago.com/859-404/000-005](http://www.wago.com/859-404/000-005)



**Item no.: 859-404/000-006**  
Jumper; for jumper slot; 4-way; insulated; blue

[www.wago.com/859-404/000-006](http://www.wago.com/859-404/000-006)



**Item no.: 859-405/000-005**  
Jumper; for jumper slot; 5-way; insulated; red

[www.wago.com/859-405/000-005](http://www.wago.com/859-405/000-005)



**Item no.: 859-405/000-029**  
Jumper; for jumper slot; 5-way; insulated; yellow

[www.wago.com/859-405/000-029](http://www.wago.com/859-405/000-029)

Subject to changes. Please also observe the further product documentation!



**Item no.: 859-405**  
Jumper; for jumper slot; 5-way; insulated; light gray

[www.wago.com/859-405](http://www.wago.com/859-405)



**Item no.: 859-404/000-029**  
Jumper; for jumper slot; 4-way; insulated; yellow

[www.wago.com/859-404/000-029](http://www.wago.com/859-404/000-029)



**Item no.: 859-406**  
Jumper; for jumper slot; 6-way; insulated; light gray

[www.wago.com/859-406](http://www.wago.com/859-406)



**Item no.: 859-405/000-006**  
Jumper; for jumper slot; 5-way; insulated; blue

[www.wago.com/859-405/000-006](http://www.wago.com/859-405/000-006)



**Item no.: 859-406/000-005**  
Jumper; for jumper slot; 6-way; insulated; red

[www.wago.com/859-406/000-005](http://www.wago.com/859-406/000-005)



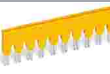
**Item no.: 859-409/000-029**  
Jumper; for jumper slot; 9-way; insulated; yellow

[www.wago.com/859-409/000-029](http://www.wago.com/859-409/000-029)



**Item no.: 859-410/000-005**  
Jumper; for jumper slot; 10-way; insulated; red

[www.wago.com/859-410/000-005](http://www.wago.com/859-410/000-005)



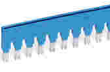
**Item no.: 859-410/000-029**  
Jumper; for jumper slot; 10-way; insulated; yellow

[www.wago.com/859-410/000-029](http://www.wago.com/859-410/000-029)



**Item no.: 859-410**  
Jumper; for jumper slot; 10-way; insulated; light gray

[www.wago.com/859-410](http://www.wago.com/859-410)



**Item no.: 859-410/000-006**  
Jumper; for jumper slot; 10-way; insulated; blue

[www.wago.com/859-410/000-006](http://www.wago.com/859-410/000-006)



**Item no.: 859-403/000-005**  
Jumper; for jumper slot; 3-way; insulated; red

[www.wago.com/859-403/000-005](http://www.wago.com/859-403/000-005)



**Item no.: 859-402/000-029**  
Jumper; for jumper slot; 2-way; insulated; yellow

[www.wago.com/859-402/000-029](http://www.wago.com/859-402/000-029)



**Item no.: 859-403/000-029**  
Jumper; for jumper slot; 3-way; insulated; yellow

[www.wago.com/859-403/000-029](http://www.wago.com/859-403/000-029)



Subject to changes. Please also observe the further product documentation!

Item no.: 859-403/000-006

Jumper; for jumper slot; 3-way; insulated; blue

[www.wago.com/859-403/000-006](http://www.wago.com/859-403/000-006)



Item no.: 859-408/000-005

Jumper; for jumper slot; 8-way; insulated; red

[www.wago.com/859-408/000-005](http://www.wago.com/859-408/000-005)



Item no.: 859-408/000-029

Jumper; for jumper slot; 8-way; insulated; yellow

[www.wago.com/859-408/000-029](http://www.wago.com/859-408/000-029)



Item no.: 859-409

Jumper; for jumper slot; 9-way; insulated; light gray

[www.wago.com/859-409](http://www.wago.com/859-409)



Item no.: 859-408/000-006

Jumper; for jumper slot; 8-way; insulated; blue

[www.wago.com/859-408/000-006](http://www.wago.com/859-408/000-006)



Item no.: 859-403

Jumper; for jumper slot; 3-way; insulated; light gray

[www.wago.com/859-403](http://www.wago.com/859-403)



Item no.: 859-409/000-005

Jumper; for jumper slot; 9-way; insulated; red

[www.wago.com/859-409/000-005](http://www.wago.com/859-409/000-005)



Item no.: 859-404

Jumper; for jumper slot; 4-way; insulated; light gray

[www.wago.com/859-404](http://www.wago.com/859-404)



Item no.: 859-409/000-006

Jumper; for jumper slot; 9-way; insulated; blue

[www.wago.com/859-409/000-006](http://www.wago.com/859-409/000-006)



Item no.: 859-402/000-006

Jumper; for jumper slot; 2-way; insulated; blue

[www.wago.com/859-402/000-006](http://www.wago.com/859-402/000-006)



Item no.: 859-402

Jumper; for jumper slot; 2-way; insulated; light gray

[www.wago.com/859-402](http://www.wago.com/859-402)



Item no.: 859-402/000-005

Jumper; for jumper slot; 2-way; insulated; red

[www.wago.com/859-402/000-005](http://www.wago.com/859-402/000-005)



Item no.: 859-406/000-006

Jumper; for jumper slot; 6-way; insulated; blue

[www.wago.com/859-406/000-006](http://www.wago.com/859-406/000-006)



Item no.: 859-406/000-029

Jumper; for jumper slot; 6-way; insulated; signal yellow

[www.wago.com/859-406/000-029](http://www.wago.com/859-406/000-029)

Subject to changes. Please also observe the further product documentation!

WAGO GmbH & Co. KG

Hansastr. 27

32423 Minden

Phone: +49571 887-0 | Fax: +49571 887-169

Email: [info.de@wago.com](mailto:info.de@wago.com) | Web: [www.wago.com](http://www.wago.com)

Do you have any questions about our products?

We are always happy to take your call at +49 (571) 887-44222.





**Item no.: 859-407/000-006**  
Jumper; for jumper slot; 7-way; insulated; blue

[www.wago.com/859-407/000-006](http://www.wago.com/859-407/000-006)



**Item no.: 859-407/000-005**  
Jumper; for jumper slot; 7-way; insulated; red

[www.wago.com/859-407/000-005](http://www.wago.com/859-407/000-005)



**Item no.: 859-407/000-029**  
Jumper; for jumper slot; 7-way; insulated; yellow

[www.wago.com/859-407/000-029](http://www.wago.com/859-407/000-029)



**Item no.: 859-407**  
Jumper; for jumper slot; 7-way; insulated; light gray

[www.wago.com/859-407](http://www.wago.com/859-407)

## Basic Relay

### Basic relay



**Item no.: 857-152**  
Basic relay; Nominal input voltage: 24 VDC; 1 changeover contact; Limiting continuous current: 6 A; Module width: 5 mm; Module height: 15 mm

[www.wago.com/857-152](http://www.wago.com/857-152)



**Item no.: 857-153**  
Basic relay; Nominal input voltage: 24 VDC; 1 changeover contact; Limiting continuous current: 6 A; with gold contacts; Module width: 5 mm; Module height: 15 mm

[www.wago.com/857-153](http://www.wago.com/857-153)

### Basic solid-state relay



**Item no.: 857-167**  
Basic solid-state relay; Nominal input voltage: 24 VDC; Output voltage range: 24 ... 240 VAC; Limiting continuous current: 2 A

[www.wago.com/857-167](http://www.wago.com/857-167)



**Item no.: 857-161**  
Basic solid-state relay; Nominal input voltage: 24 VDC; Output voltage range: 0 ... 30 VDC; Limiting continuous current: 3 A

[www.wago.com/857-161](http://www.wago.com/857-161)



**Item no.: 857-164**  
Basic solid-state relay; Nominal input voltage: 24 VDC; Output voltage range: 0 ... 48 VDC

[www.wago.com/857-164](http://www.wago.com/857-164)

## Downloads Documentation

### Bid Text

857-104 X81 - Datei	2019 Feb 19	xml 3.1 kB	Download
857-104 doc - Datei	2018 Nov 29	doc 24.1 kB	Download

Subject to changes. Please also observe the further product documentation!



### Instruction Leaflet

Elektromechanical and Solid-State Relays/Optocouplers	V 2.0.0 2022 Feb 15	pdf 2.6 MB	Download
---	------------------------	---------------	----------

### Additional Information

Disposal and Recycling Electrical and electronic equipment, Batteries, Packaging	V 1.1.0 2022 Aug 18	pdf 2.2 MB	Download
---	------------------------	---------------	----------

### CAD/CAE-Data

#### CAD data

2D/3D Models 857-104	URL	Download
----------------------	-----	----------

#### CAE data

EPLAN Data Portal 857-104	URL	Download
---------------------------	-----	----------

ZUKEN Portal 857-104	URL	Download
----------------------	-----	----------

WSCAD Universe 857-104	URL	Download
------------------------	-----	----------

### Environmental Product Compliance

#### Compliance Search

Environmental Product Compliance 857-104 Relay socket; Nominal input voltage: 24 V AC/DC; for 5 mm basic relays; Yellow status indicator	URL	Download
---	-----	----------

### Installation Notes

Subject to changes. Please also observe the further product documentation!