

LAYOUT SHOWN AS EXAMPLE

Keying Shown as example

CHARACTERISTICS

- Standard : Based on MIL-DTL-38999 Series III
- Shell Material : Aluminium
- Shell Plating : Black Zinc Nickel
- Insulator : Thermoplastic
- Contacts : Copper Alloy
- Seals & Grommet : Silicon Elastomer
- Contact Plating : Gold over copper Alloy 0.8µm minimum
- Durability : 500 Mating cycles
- Delivered without Souriau contacts
- Temperature Range : -65°C to +175°C
- Salt Spray : 500 hours

| Connector dimension | |
|---------------------|-----------------|
| Dim | Nominal |
| A | 49.2±0.3 |
| B | 33.32+0.1/-0.15 |
| R | 32.5Max |
| S | 46±0.4 |
| W | 3+0.9/-0.1 |
| VV THREAD | M28x1-6g |

SOURIAU shall not be liable for any non-conformity or damage due to a use of the Products which does not comply with the Specifications issued by either of the Parties or by a third party (professional recommendation, technical notice.)

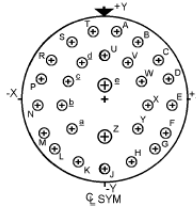
| Country | Jurisdiction & Control List |
|---------|-----------------------------|
| FR | Not Listed |

PN: 8D719Z28PDL

| | | | |
|--------------|---|--------------------------------|---|
| A | 30-09-2016 | First Release | |
| ISS | DATE | Latest modification - by | MOD N° |
| Designed By: | | Date: | CUSTOMER DRAWING |
| TITLE | Aluminium Receptacle 8D series | | |
| SCALE | | General linear Tolerances: ±-- | NPRDS / PROJECT 859 |
| NA | SOURIAU WWW.SOURIAU.COM | | This document is the property of SOURIAU it must not be reproduced or communicated without permission |
| FORMAT | A3 | | SOURIAU DRG N° 8D719Z28PDL-C |
| | | | SHEET 1/2 |

| | | | | | | | | | | |
|---------------|--------------------------|---|---|----|---|----|---|---|---|---------------------------------|
| BASIC SERIES: | 8D | 7 | - | 19 | Z | 28 | P | D | L | Delivered W/O Contacts |
| SHELL TYPE | : Jam nut Receptacle | | | | | | | | | ORIENTATION : D |
| CONTACT TYPE | : Standard Crimp Contact | | | | | | | | | CONTACT TYPE : PIN(500 Matings) |
| SHELL SIZE | : 19 | | | | | | | | | CONTACT LAYOUT : 19-28 |
| PLATING | : Z = Black Zinc Nickel | | | | | | | | | |

Contact Layout

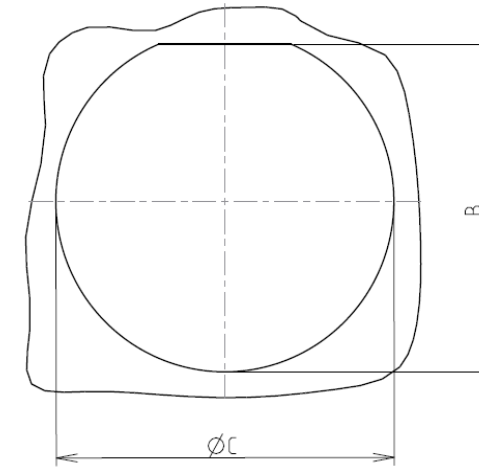


| Contacts (Insert arrangement 19-28) | | | | | |
|--|------------------|-------------|---------------------|------------------|-------------|
| Contact position ID | Contact location | | Contact position ID | Contact location | |
| | X-axis (mm) | Y-axis (mm) | | X-axis (mm) | Y-axis (mm) |
| A | +066 (1.68) | +353 (8.97) | R | -286 (7.26) | +217 (5.51) |
| B | +189 (4.80) | +305 (7.75) | S | -189 (4.80) | +305 (7.75) |
| C | +286 (7.26) | +217 (5.51) | T | -066 (1.68) | +353 (8.97) |
| D | +345 (8.76) | +098 (2.49) | U | +000 (0.00) | +230 (5.84) |
| E | +357 (9.07) | -033 (0.84) | V | +124 (3.15) | +193 (4.90) |
| F | +321 (8.15) | -160 (4.06) | W | +209 (5.31) | +095 (2.41) |
| G | +242 (6.15) | -265 (6.73) | X | +228 (5.79) | -033 (0.84) |
| H | +130 (3.30) | -335 (8.51) | Y | +174 (4.42) | -151 (3.84) |
| J | +000 (0.00) | -359 (9.12) | Z | +000 (0.00) | -191 (4.85) |
| K | -130 (3.30) | -335 (8.51) | a | -174 (4.42) | -151 (3.84) |
| L | -242 (6.15) | -265 (6.73) | b | -228 (5.79) | -033 (0.84) |
| M | -321 (8.15) | -160 (4.06) | c | -209 (5.31) | +095 (2.41) |
| N | -357 (9.07) | -033 (0.84) | d | -124 (3.15) | +193 (4.90) |
| P | -345 (8.76) | +098 (2.49) | e | +000 (0.00) | +062 (1.57) |

| Shell size | Arrangement no. | Number of contacts | Size contacts | Service rating | Contact location & Z | Supersedes |
|------------|-----------------|--------------------|---------------|----------------|----------------------|------------|
| 19 | -28 | 2 26 | 16 20 | I | All others | MS20054-28 |

Panel cutout

JAM NUT RECEPTACLE (TYPE 7)



| Dim | Nominal |
|-----|---------------|
| B | 33.91+0/-0.25 |
| ØC | 35.18+0.25/-0 |

SOURIAU shall not be liable for any non-conformity or damage due to a use of the Products which does not comply with the Specifications issued by either of the Parties or by a third party (professional recommendation, technical notice.)

| Country | Jurisdiction & Control List |
|---------|-----------------------------|
| FR | Not Listed |

PN: 8D719Z28PDL

| | | | |
|----------------|-------------------------------------|----------------------------|---|
| A | 30-09-2016 | First Release | |
| ISS | DATE | Latest modification - by | MOD N° |
| Designed By: | | Date: | CUSTOMER DRAWING |
| TITLE | Aluminium Receptacle 8D series | | |
| SCALE | | General linear Tolerances: | NPRDS / PROJECT |
| NA | | ±-- | 859 |
| SOURIAU | WWW.SOURIAU.COM | | This document is the property of SOURIAU it must not be reproduced or communicated without permission |
| FORMAT | SOURIAU DRG N° 8D719Z28PDL-C | | SHEET 2/2 |