

DESCRIPTION: 45° ENTRY - DIE CAST

SPECIFICATION:

MATERIAL:

BACKSHELL: ZINC, NICKEL PLATED,
COPPER UNDER PLATE
HOUSING SCREW: STEEL, ZINC PLATED
COMPRESSON INSERT: ABS, UL94-HB

OPERATING TEMPERATURE: -40°C TO +120°C

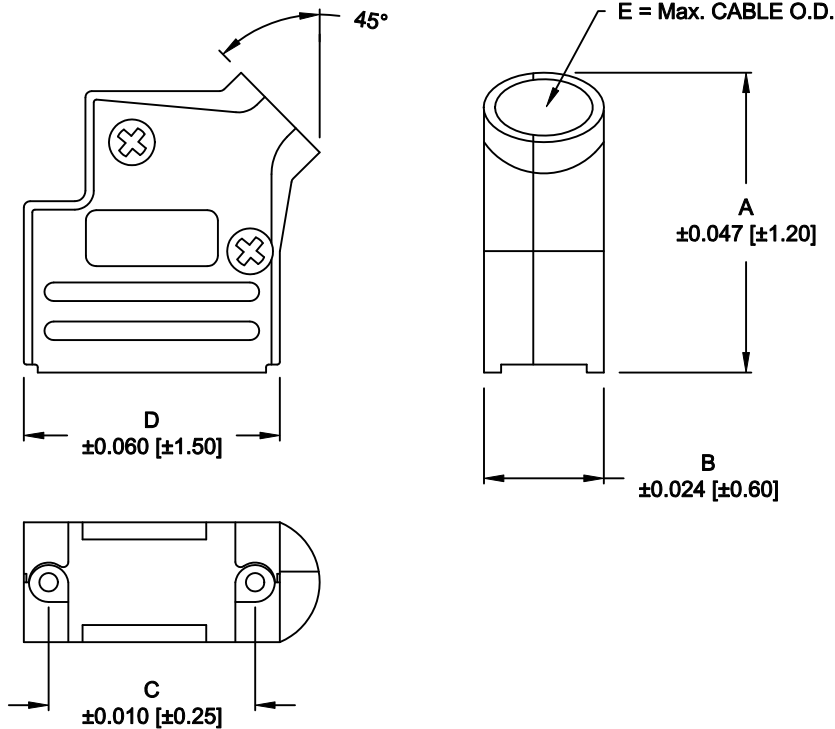
BACKSHELL KIT INCLUDES:

- (2) BACKSHELL HALVES
- (2) MOUNTING SCREWS
- (1) PLASTIC INSERTS TREE (4-SETS)

DIAMETERS: 0.157 [4.00], 0.167 [5.00], 0.276 [7.00], 0.354 [9.00]

954-YYY-030R121

SERIES _____
 POSITIONS _____
 009 _____
 015 _____
 025 _____
 037 _____
 MATERIAL _____
 030 = DIE CAST (NICKEL)
 RoHS COMPLIANT _____
 R = HIGH TEMP. PROCESS _____
 COLOR _____
 12 = NICKEL OVER COPPER _____
 PUT-UP _____
 1 = KIT



DIMENSIONS (IN.)

No. OF PINS	A	B	C	D	E
09	1.429	0.571	0.984	1.220	0.512
	36.30	14.50	24.99	31.00	13.00
15	1.587	0.571	1.312	1.555	0.512
	40.30	14.50	33.32	39.50	13.00
25	1.587	0.571	1.852	2.094	0.512
	40.30	14.50	47.04	53.20	13.00
37	1.587	0.571	2.500	2.744	0.512
	40.30	14.50	63.50	69.70	13.00

DO NOT SCALE FROM DRAWING



THESE DRAWINGS AND SPECIFICATIONS ARE THE PROPERTY OF NorComp AND SHALL NOT BE REPRODUCED, COPIED OR USED AS THE BASIS FOR THE MANUFACTURE OF SALE OF APPARATUS WITHOUT WRITTEN PERMISSION.

DRAWN: C. SMITH DATE: 03-30-07

CHECKED: DATE:

NorComp

SCALE: 1:1 SHEET 1 OF 1 REV 2

DWG NO. 954-YYY-030R121

RoHS COMPLIANT