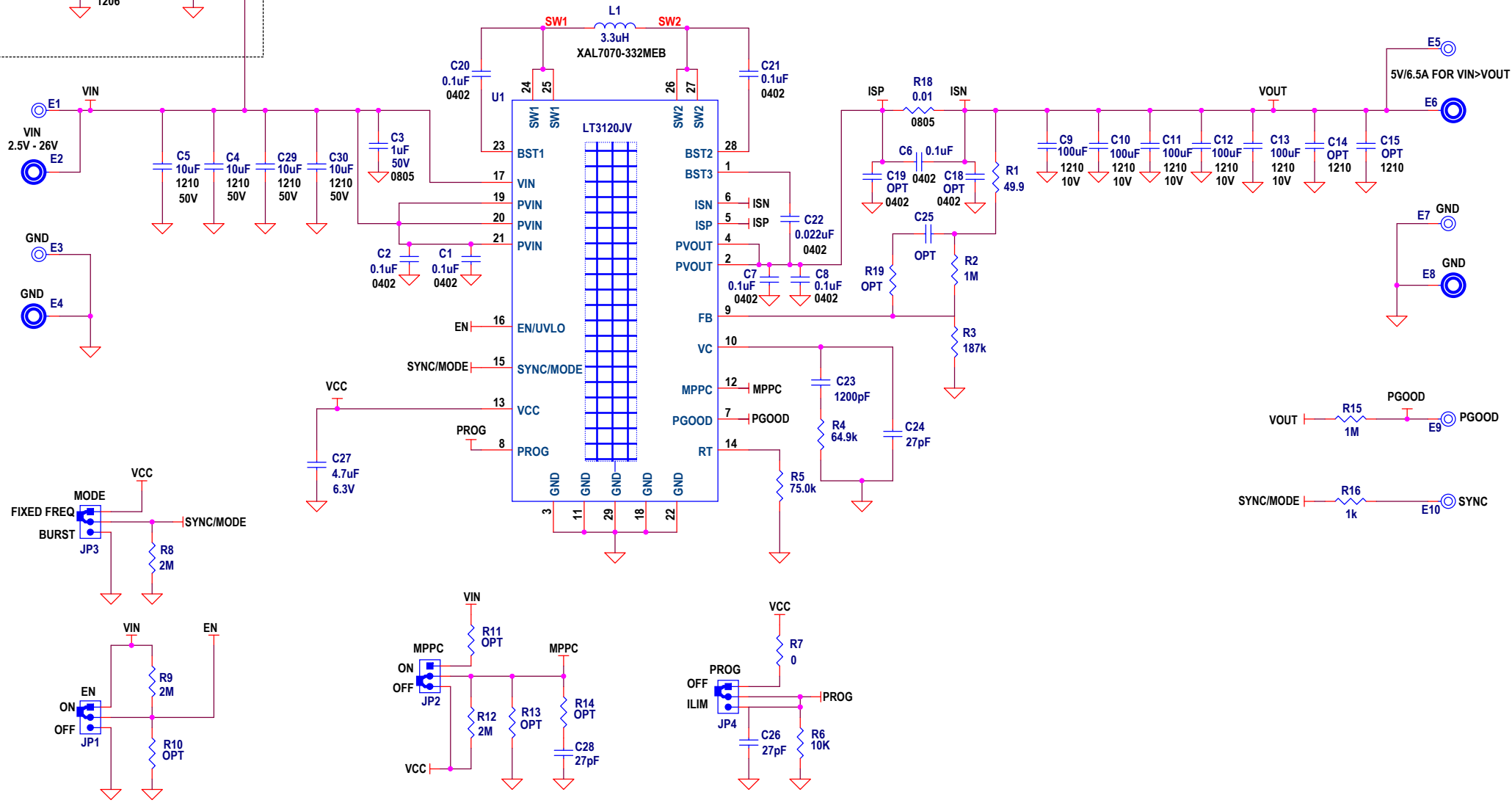
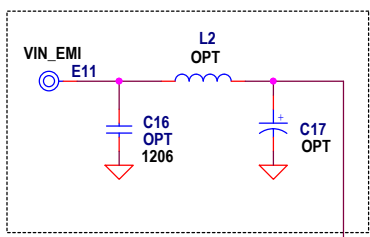


REVISION HISTORY				
ECO	REV	DESCRIPTION	APPROVED	DATE
-	03	PRODUCTION FAB	FA	12/9/2020

EMI FILTER



PCA ADDITIONAL PARTS

MP1	STANDOFF, NYLON, SNAP-ON,0.375"
MP2	STANDOFF, NYLON, SNAP-ON,0.375"
MP3	STANDOFF, NYLON, SNAP-ON,0.375"
MP4	STANDOFF, NYLON, SNAP-ON,0.375"
PCB1	PCB,DC2815A REV 03
LB1	LABEL

NOTE: UNLESS OTHERWISE SPECIFIED
 1. ALL RESISTORS ARE ±1%, 0402.
 ALL CAPACITORS ARE 0603.

CUSTOMER NOTICE

ANALOG DEVICES HAS MADE A BEST EFFORT TO DESIGN A CIRCUIT THAT MEETS CUSTOMER-SUPPLIED SPECIFICATIONS; HOWEVER, IT REMAINS THE CUSTOMER'S RESPONSIBILITY TO VERIFY PROPER AND RELIABLE OPERATION IN THE ACTUAL APPLICATION. COMPONENT SUBSTITUTION AND PRINTED CIRCUIT BOARD LAYOUT MAY SIGNIFICANTLY AFFECT CIRCUIT PERFORMANCE OR RELIABILITY. CONTACT ANALOG DEVICES APPLICATIONS ENGINEERING FOR ASSISTANCE.

THIS CIRCUIT IS PROPRIETARY TO ANALOG DEVICES AND SUPPLIED FOR USE WITH ANALOG DEVICES PARTS.

APPROVALS

PCB DES.	N.CARLONE
APP ENG.	FA



TITLE: SCHEMATIC
5V, 9A SYNCHRONOUS BUCK-BOOST WITH PROGRAMMABLE OUTPUT CURRENT LIMIT

IC NO. LT3120	SCHMATIC NO. AND REVISION:
SKU NO. DC2815A	710-DC2815A_REV03