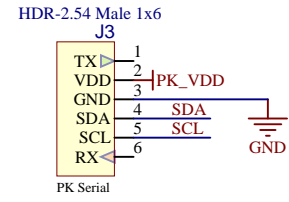
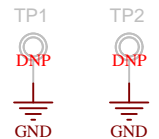
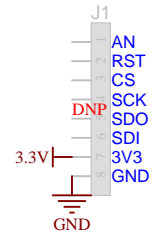
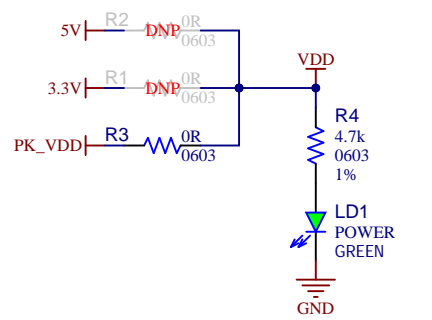


Power source selector



LABEL1

[ASSY# / REV]
 SN: [SERIAL]
 [DATE yyyy.mm.dd]

PCBA LABEL 18X6mm

Project Owner: Ciprian Dalvaru			
PCB Layout Contact: Ciprian Dalvaru			
PartNumber: EV45V72A	Project Title MCP3422 2Ch Del-Sig ADC EVB	Variant: EV45V72A	
Sheet Title ADC			
Size B	SCH #: 03-00498	Rev: 1	Date: 02-Jun-22
	PCB #: 04-11599	Rev: 1	Sheet 1 of 1
File: ADC.SchDoc			

