

6

5

4

3

2

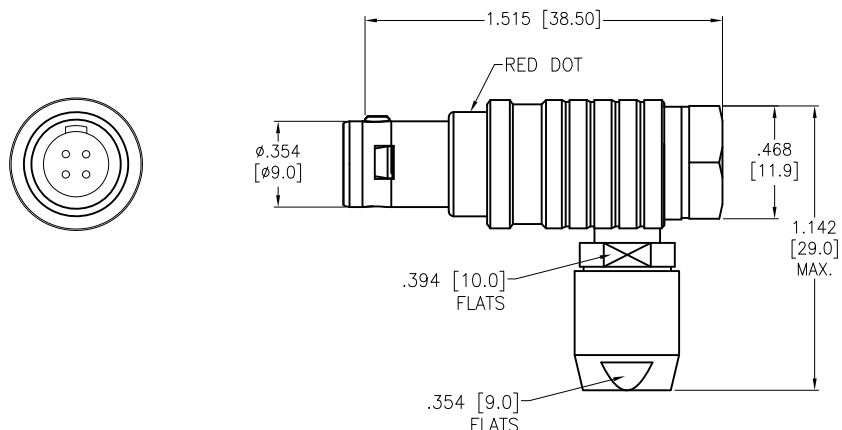
1

APPROVED: _____

DATE: _____ TITLE: _____

Rev	AWO #	Description	Date	Appr
-		RELEASED	8/16/21	

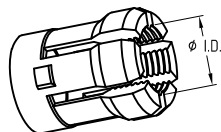
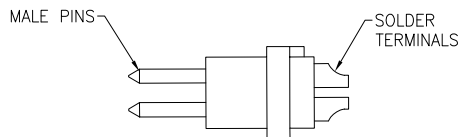
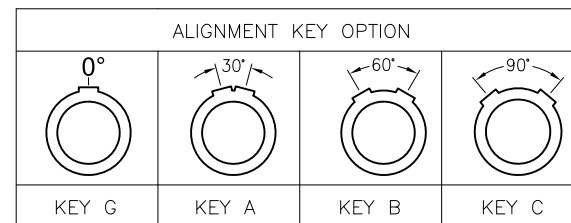
MMI-M1PRXXSX



ALIGNMENT KEY	
G	= 0°
A	= 30°
B	= 60°
C	= 90°

CABLE COLLET SIZE	
42	= 3.2mm ~ 4.2mm ID
52	= 4.2mm ~ 5.2mm ID
62	= 5.2mm ~ 6.2mm ID
72	= 6.2mm ~ 7.2mm ID

# OF POSITIONS	
02, 03, 04, 05, 06,	
07, 08, 10, 14 & 16	



DETAIL

CABLE COLLET

	2 Pin	3 Pin	4 Pin	5 Pin	6 Pin	7 Pin	8 Pin	10 Pin	14 Pin	16 Pin
Configuration										
Diameter of Pin	ø1.3	ø1.3	ø0.9	ø0.9	ø0.7	ø0.7	ø0.7	ø0.5	ø0.5	ø0.5
Testing Voltage	1300V	1300V	1200V	1200V	1000V	1000V	1000V	800V	800V	800V
Working Voltage	300V	300V	250V	250V	200V	200V	200V	200V	200V	200V
Rated Current / Pin	9A	9A	8A	7A	5A	5A	5A	2A	2A	2A
Max. Wire Awg	20	20	22	22	22	22	22	28	28	28

SPECIFICATIONS:

Material:
Housing (Body): Brass, Natural Chrome plated
Insulator: PPS
Terminal: Brass, Gold Plated
Electrical:
Voltage Rating: See chart
Current Rating: See chart
Dielectric withstanding voltage: See chart
Electrical Life: 5,000 Cycles min.
Temperature Rating:
Operating temperature: -55°C to +150°C
Environmental:
IP50 Protection (Mated Condition)
Lead free, RoHS compliant



UNLESS OTHERWISE SPECIFIED ALL DIMENSIONS ARE INCHES [MM] TOLERANCES: EXCEPT AS NOTED		
INCHES		HOLES
.X ± .10	ø.X ± .10	
.XX ± .020	ø.XX ± .015	
.XXX ± .015	ø.XXX ± .010	
APPROVALS		DATE
DRAWN	SS	8/16/21
CHECKED	SS	8/16/21
APPROVED		

ADAM TECH 909 Rahway Avenue,
Union, NJ 07083
Phone: 908-687-5000
Fax: 908-687-5710

TITLE: PUSH-PULL CONNECTOR MALE PLUG, METAL, SIZE 1,
RIGHT ANGLE, SOLDER TERMINAL

SIZE X	PART NO. MMI-M1PRXXSX	REV. -
REF: SXXXXX	SCALE: NTS	SHEET 1 OF 1

6

5

4

3

2

1