

Note for plastic:

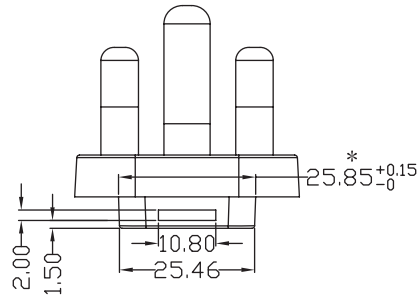
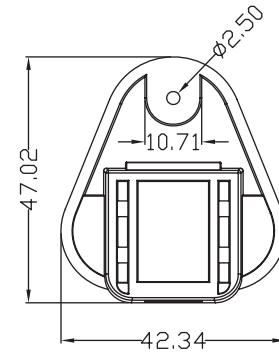
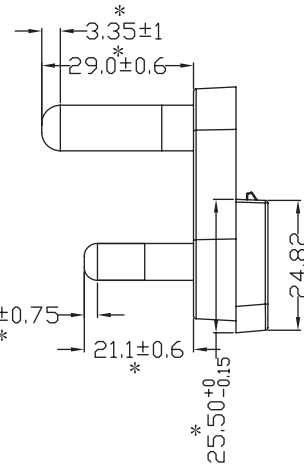
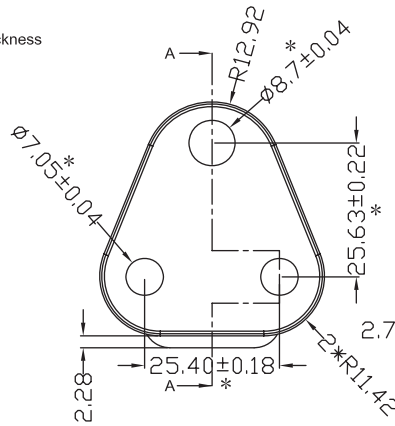
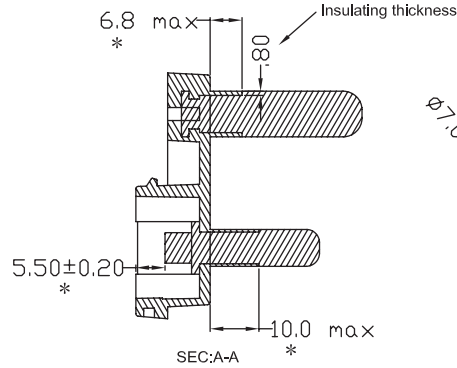
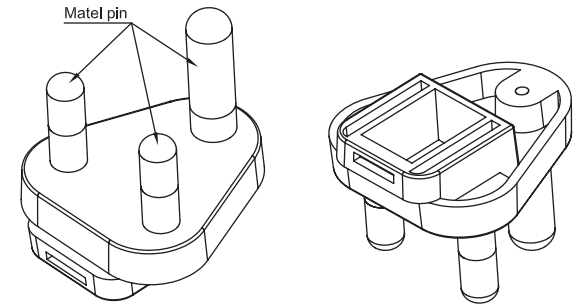
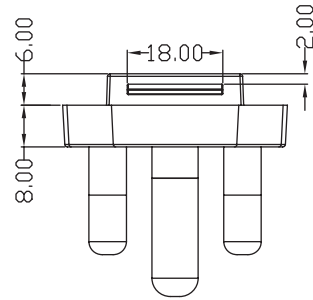
1. Plastic material: SABIC PC945 94-V0.
2. Color: Black.
3. Finish: texture MT 11040
4. "*" is the important dimension.
6. TOOL MARK
7. DATE CODE
8. No label tolerance refer to tolerance table.

Note for metal pin

1. Metal pin material: Brass-H62
2. Finish: nickel plating, thickness: 3~5uM

PROPRIETARY INFORMATION:
 PROPRIETARY OF GLOBTEK, INC. ANY REPRODUCTION, DISCLOSURE
 OR USE OF THIS DRAWING IN WHOLE OR PART, IS HEREBY
 PROHIBITED EXCEPT AS SPECIFIED IN WRITING BY GLOBTEK INC.

REV		DESCRIPTION	DATE	APPROVED
A		Initial Release	2018.01.15	JET



RELEASED
 By N.Frost at 1:44 pm, Jan 24, 2018

Foot Note:
 Globtek Inc. will not be liable for the safety and performance of these parts if unauthorized access and repair occurs. End user should consult applicable UL, CSA or EN standards for proper installation instructions

Limitation of Use:
 Globtek product are not authorized for use as mission critical components in life support, hazardous environment, nuclear or aircraft applications without prior written approval from the CEO of Globtek Inc.

Contents of this document are subject to change without prior notice

RANGE	Tolerance table		
	GRADE 1	GRADE 2	GRADE 3
0~4	+/-0.05	+/-0.1	+/-0.2
4~16	+/-0.08	+/-0.15	+/-0.3
16~64	+/-0.12	+/-0.25	+/-0.5
64~250	+/-0.25	+/-0.4	+/-0.8

PART NO:		
MODEL NO:		
Drawn and Checked By:	Jack,ji	Tolerances: Grade 2
Double Checked By:		
Approved By:	Jet	

GlobTek, Inc.
 Tel: +1-201-784-1000 Fax: +1-201-784-0111 Web: www.globtek.com
 GlobTek(Suzhou), Co., Ltd
 Tel: +86-512-6279-0301 Fax: +86-512-6279-0355 Web: www.globtek.cn

DWG Title:
Q-SANS164-1-16A (R)

Unit:mm A. Rev. A SHEET 1 OF 1

APPROVAL FLOW: 1.CUSTOMER (INHOUSE/OUTSIDE) 2.ENG'G MANAGER (CHECK/REVIEW) 3.MECH. ENGR (DRAW/CHECK) 4.ENG'G MANAGER (REVIEW/APPROVED/FILE KEEPING-ENG'G and QAE ASSISTANT) 5.OPRN MANAGER 6.RELEASE TO MECH. ENGR 7.END CUSTOMER (INHOUSE/OUTSIDE)