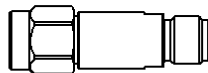
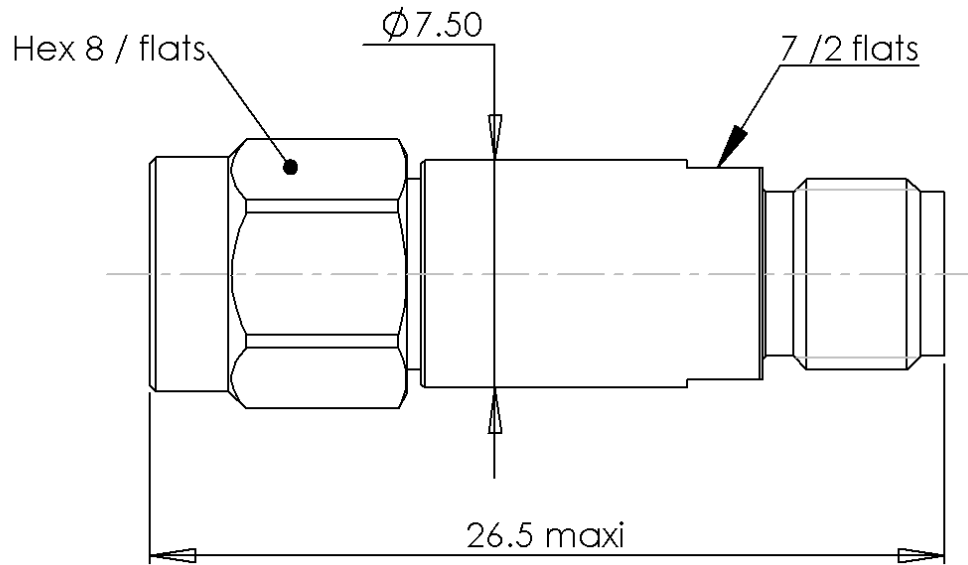
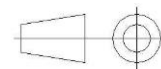
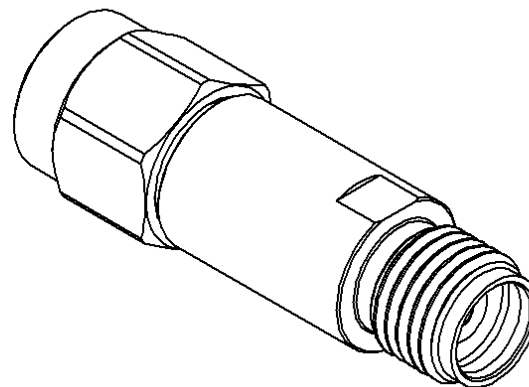


|          |                        |                             |                               |
|----------|------------------------|-----------------------------|-------------------------------|
| PAGE 1/2 | ISSUE <b>02-03-15A</b> | SERIES<br><b>ATTENUATOR</b> | PART NUMBER <b>R413303150</b> |
|----------|------------------------|-----------------------------|-------------------------------|



Scale 1:1

All dimensions are in mm.



| COMPONENTS            | MATERIALS               | PLATING ( $\mu\text{m}$ ) |
|-----------------------|-------------------------|---------------------------|
| Body                  | <b>STAINLESS STEEL</b>  | <b>PASSIVATED</b>         |
| Male center contact   | <b>BERYLLIUM COPPER</b> | <b>GOLD OVER NICKEL</b>   |
| Female center contact | <b>BERYLLIUM COPPER</b> | <b>GOLD OVER NICKEL</b>   |
| Outer contact         | <b>STAINLESS STEEL</b>  | <b>PASSIVATED</b>         |
| Insulator             | <b>ULTEM</b>            |                           |
| Gasket                | <b>SILICONE RUBBER</b>  |                           |
| Substrate             | <b>ALUMINA CERAMIC</b>  |                           |
| Resistor              | -                       |                           |
| Others parts          | -                       |                           |

|          |                        |                             |                               |
|----------|------------------------|-----------------------------|-------------------------------|
| PAGE 2/2 | ISSUE <b>02-03-15A</b> | SERIES<br><b>ATTENUATOR</b> | PART NUMBER <b>R413303150</b> |
|----------|------------------------|-----------------------------|-------------------------------|

**ELECTRICAL CHARACTERISTICS**

|                 |                |                |
|-----------------|----------------|----------------|
| Frequency (GHz) | <b>DC-26.5</b> | <b>26.5-40</b> |
| V.S.W.R (≤)     | <b>1.25</b>    | <b>1.45</b>    |
| Deviation(±dB)  | <b>0.4</b>     | <b>0.5</b>     |

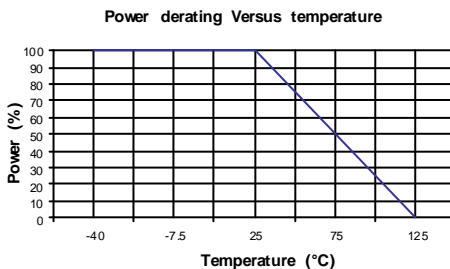
|                              |              |                       |
|------------------------------|--------------|-----------------------|
| Operating Frequency Range    | <b>DC-40</b> | GHz                   |
| Impedance                    | <b>50</b>    | Ω                     |
| Nominal Attenuation          | <b>3</b>     | dB                    |
| Peak power at 25°C (1μs, 1%) | <b>50</b>    | W                     |
| Average power at 25°C        | <b>2</b>     | W (Free Air Cooled)   |
|                              |              | W (Conduction Cooled) |

**MECHANICAL CHARACTERISTICS**

|            |               |                    |                    |
|------------|---------------|--------------------|--------------------|
| Connectors | <b>SMA2.9</b> | <b>Male Female</b> | <b>MIL-C 39012</b> |
| Weight     | <b>6,1400</b> | g                  |                    |

**ENVIRONMENTAL CHARACTERISTICS**

|                             |                 |    |
|-----------------------------|-----------------|----|
| Operating temperature range | <b>-55/+125</b> | °C |
| Storage temperature range   | <b>-55/+125</b> | °C |



**SPECIFICATION**

**OTHER CHARACTERISTICS**