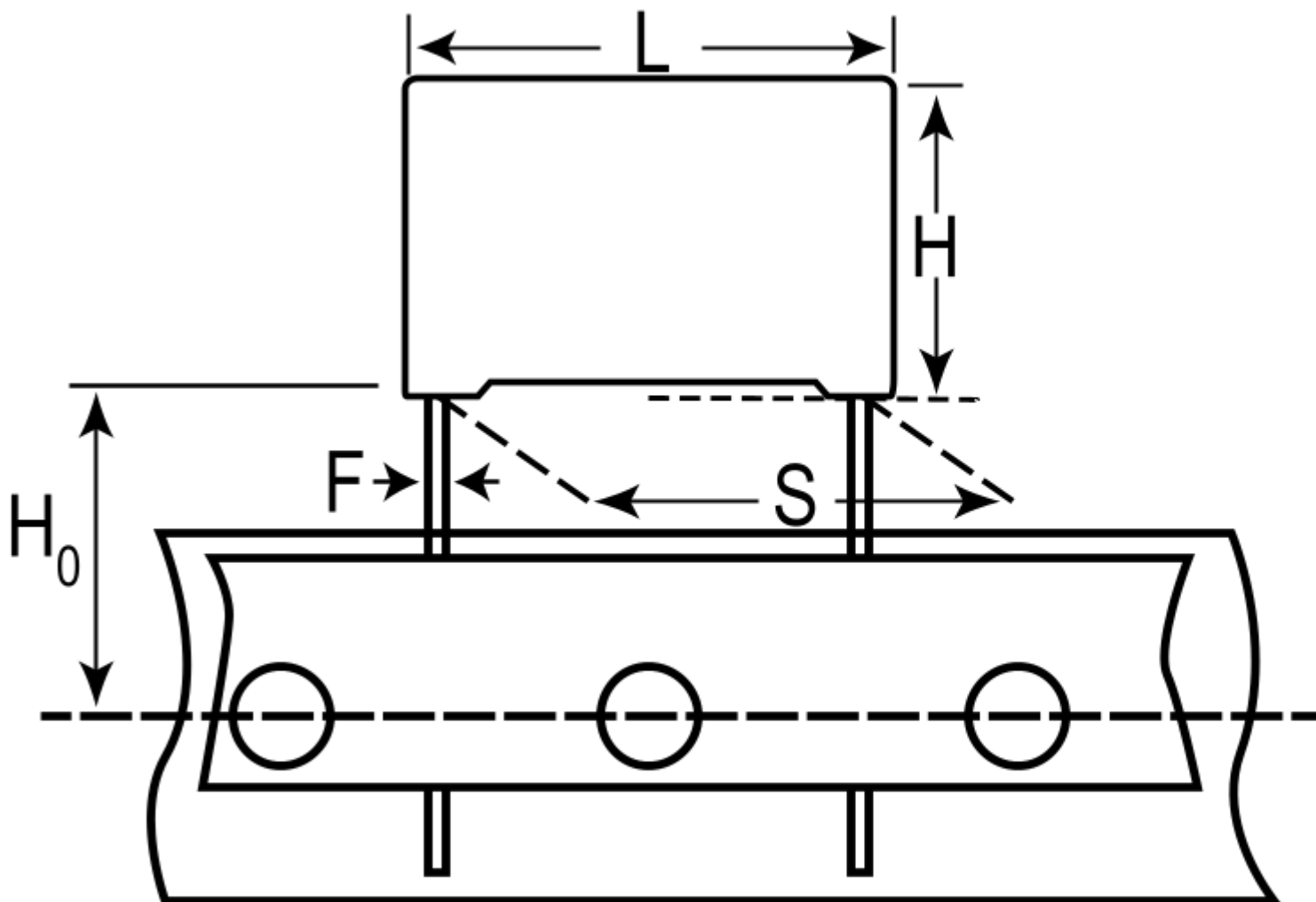


R71PI2470DQ00J

Aliases (71PI2470DQ00J)

R71, Film, Metallized Polypropylene, General Purpose, 0.047 μ F, 5%, 630 VDC, 105°C, Lead Spacing = 15mm



Click [here](#) for the 3D model.

Dimensions

L 18mm +0.3/-0.5mm

H 11mm +0.1/-0.5mm

Dimensions

T 5mm +0.2/-0.5mm
S 15mm +/-0.4mm
H0 18.5mm +/-0.5mm
F 0.6mm +/-0.05mm

Packaging Specifications

Packaging Ammo, 360x340x59mm, Box
Packaging Quantity 800

General Information

Series R71
Dielectric Metallized Polypropylene
Style Radial
Features PFC and Pulse
RoHS Yes
Lead Wire Leads
AEC-Q200 No
Component Weight 1.597 g
Miscellaneous Above 105C DC And AC Voltage Derating Is 4%/C.

Specifications

Capacitance 0.047 uF
Capacitance Tolerance 5%
Voltage AC 275 VAC
Voltage DC 630 VDC
Temperature Range -40/+110°C
Rated Temperature 105°C
Dissipation Factor 0.1% 25C
Insulation Resistance 100 GOhms
Max dV/dt 250 V/us
Resistance 846.6 mOhms (100kHz)
Ripple Current 0.44 Amps (100kHz 85C), 11.75 Amps (Peak)
Inductance 10 nH

Statements of suitability for certain applications are based on our knowledge of typical operating conditions for such applications, but are not intended to constitute - and we specifically disclaim - any warranty concerning suitability for a specific customer application or use. This Information is intended for use only by customers who have the requisite experience and capability to determine the correct products for their application. Any technical advice inferred from this Information or otherwise provided by us with reference to the use of our products is given gratis, and we assume no obligation or liability for the advice given or results obtained.

Generated 5/18/2023 - 638505b1-b3fd-4976-abe7-3e4fd6990846
© 2006 - 2023 KEMET
Generated 5/18/2023 - 638505b1-b3fd-4976-abe7-3e4fd6990846
© 2006 - 2023 KEMET