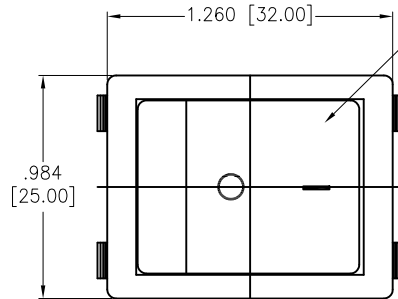
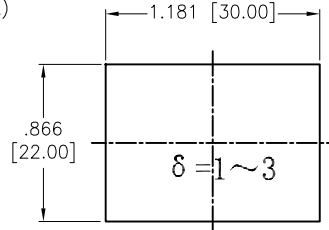


APPROVED: \_\_\_\_\_  
 DATE: \_\_\_\_\_ TITLE: \_\_\_\_\_

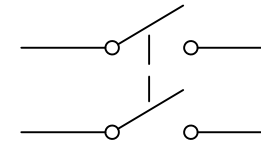
Rev	AWO #	Description	Date	Appr
-		RELEASED	9/2/21	



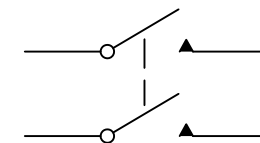
SOLID COLOR WITH WHITE MARKINGS (See Chart)



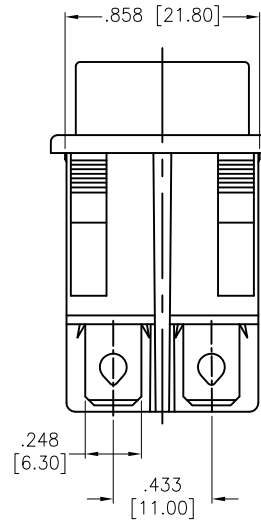
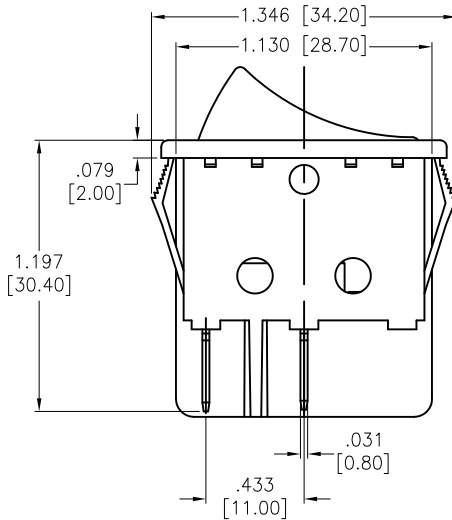
RECOMMENDED PANEL CUT-OUT



CIRCUIT DIAGRAM (DPST) ON-OFF



CIRCUIT DIAGRAM (DPST) (OFF)-ON



A=ON-OFF  
 C=OFF-(ON)  
 SW-R1-3X-E-XX-2

	Actuator Color
BLANK	Standard Black
W	White
R	Red
G	Green
Y	Yellow (Amber)
B	Blue
O	Orange

	Actuator Markings
1	
2	
3	
4	
5	

**SPECIFICATIONS:**

Body: Nylon 66, Color Black, Rated UL 94V-0

Terminal: Brass, Silver plated

Button: Nylon 66, Solid color, White color markings. (See Chart)

**Electrical:**

The rated load: 250V AC, 16 A

125V AC, 20 A

Contact resistance: 50 mohms max

Insulation resistance: 100 Mohms min

Dielectric withstanding voltage: 1500 VAC/5S min

**Mechanical:**

Electrical life: 10000 Cycles min

Temperature Rating:

Operating temperature: -25°C to +85°C

Environmental:

Lead free, RoHS compliant



Replace "x" in P/N with the corresponding switch color and marking

UNLESS OTHERWISE SPECIFIED ALL DIMENSIONS ARE INCHES [MM] TOLERANCES: EXCEPT AS NOTED INCHES HOLES .X ± .10 Ø.X ± .10 .XX ± .020 Ø.XX ± .015 .XXX ± .015 Ø.XXX ± .010		<b>ADAM TECH</b> 909 Rahway Avenue, Union, NJ 07083 Phone: 908-687-5000 Fax: 908-687-5710	
APPROVALS DRAWN WX 9/2/21 CHECKED RC 9/2/21 APPROVED		DATE DATE DATE	
TITLE SWITCH, MEDIUM ROCKER, DPST, ON-OFF, (OFF)-ON, QC .250 [6.35MM]		SIZE X PART NO. SW-R1-3X-E-XX-2 REV. -	
REF: S00206C		SCALE: NTS SHEET 1 OF 1	