



Issued date: 2021-09-15

Product Change Notification

Dear Customer, we want to inform you about the following changes.

If you have any questions regarding this issue, don't hesitate to contact your salesperson or our customer service team. We're happy to help you.

Type of change:

Product Process Specification End-of-life Other

Affected item(s):

Senseair Sunrise 006-0-0007

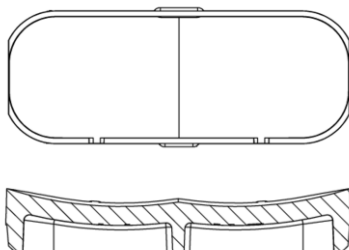
Suggested replacement product(s):

N/A

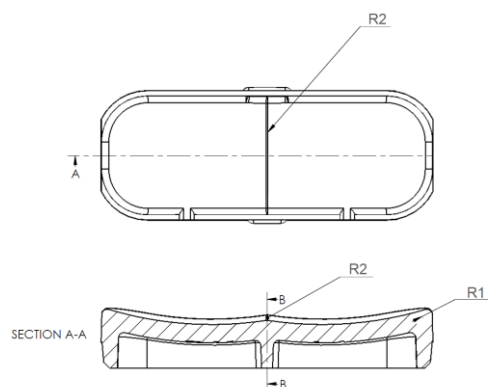
Reason for change:

- To allow for a smoother mounting of the optical bench assembly, a sharp edge on one of the mirrors will be given a small radius R1 instead.
- This reduces the risk of a lower yield in our production due to mounting difficulties.
- The edge between the two reflector surfaces is given a small radius R2 to further improve the manufacturing process of the mirror.

Current design



Improved design





Expected influence on performance:

None

Qualification, Validation plan and Results:

Tested and verified by Senseair:

Optical simulation with the new mirror has shown that there is no difference in light path/intensity compared to the previous version.

Identification of changed item:

N/A

Implementation date for change:

September 20, 2021

Last ordering date:

N/A