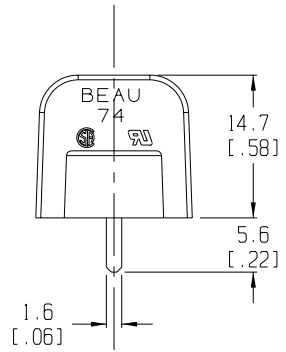
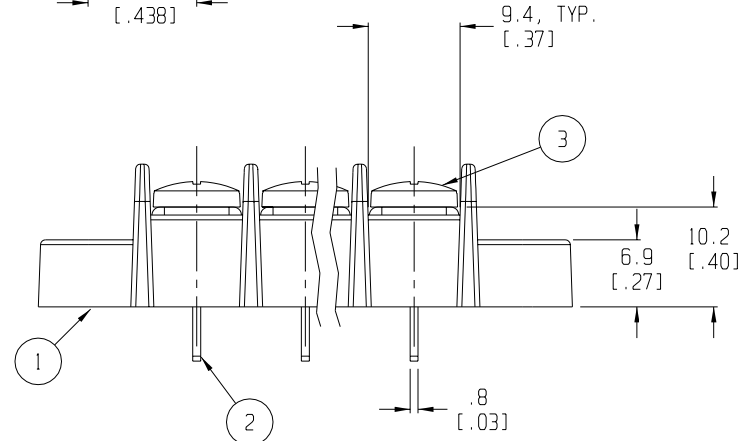
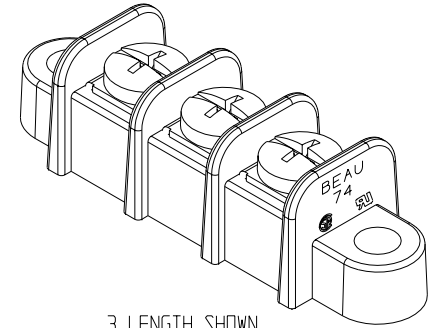
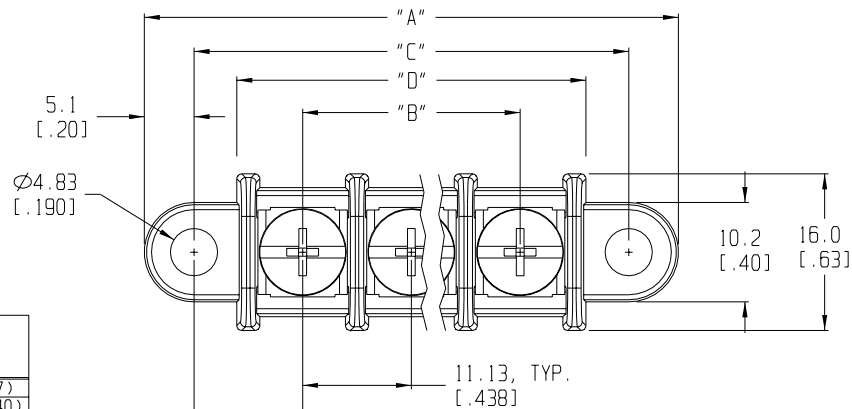


MATERIAL NO.	# OF CIRC. "XX"	"A"	"B"	"C"	"D"
387419702	2	43.5 (1.71)	11.1 (.44)	33.3 (1.31)	24.6 (.97)
387419703	3	54.6 (2.15)	22.2 (.88)	44.5 (1.75)	35.7 (1.40)
387419704	4	65.7 (2.59)	33.3 (1.31)	55.6 (2.19)	46.8 (1.84)
387419705	5	76.8 (3.03)	44.5 (1.75)	66.7 (2.63)	57.9 (2.28)
387419706	6	87.9 (3.46)	55.6 (2.19)	77.8 (3.06)	69.0 (2.72)
387419707	7	99.1 (3.90)	66.7 (2.63)	88.9 (3.50)	80.1 (3.15)
387419708	8	110.2 (4.39)	77.8 (3.06)	100.0 (3.94)	91.2 (3.59)
387419709	9	121.3 (4.78)	88.9 (3.50)	111.1 (4.38)	102.3 (4.03)
387419710	10	132.4 (5.21)	100.0 (3.94)	122.2 (4.81)	113.4 (4.47)
387419711	11	143.5 (5.65)	111.1 (4.38)	133.4 (5.25)	124.6 (4.90)
387419712	12	154.6 (6.09)	122.2 (4.81)	144.5 (5.69)	135.7 (5.34)
387419713	13	165.7 (6.53)	133.4 (5.25)	155.6 (6.13)	146.8 (5.78)
387419714	14	176.8 (6.96)	144.5 (5.69)	166.7 (6.56)	157.9 (6.22)
387419715	15	188.0 (7.40)	155.6 (6.13)	177.8 (7.00)	169.0 (6.65)
387419716	16	199.1 (7.84)	166.7 (6.56)	188.9 (7.44)	180.1 (7.09)
387419717	17	210.2 (8.28)	177.8 (7.00)	200.0 (7.88)	191.2 (7.53)
387419718	18	221.3 (8.71)	188.9 (7.44)	211.1 (8.31)	202.3 (7.97)
387419719	19	232.4 (9.15)	200.0 (7.88)	222.3 (8.75)	213.5 (8.40)
387419720	20	243.5 (9.59)	211.1 (8.31)	233.4 (9.19)	224.6 (8.84)
387419721	21	254.6 (10.03)	222.3 (8.75)	244.5 (9.63)	235.7 (9.28)
387419722	22	265.7 (10.46)	233.4 (9.19)	255.6 (10.07)	246.8 (9.72)
387419723	23	276.8 (10.90)	244.5 (9.63)	266.7 (10.51)	257.9 (10.15)
387419724	24	288.0 (11.34)	255.6 (10.06)	277.8 (10.95)	269.0 (10.59)
387419725	25	299.1 (11.78)	266.7 (10.50)	288.9 (11.39)	280.1 (11.03)
387419726	26	310.2 (12.21)	277.8 (10.94)	300.0 (11.83)	291.2 (11.47)
387419727	27	321.3 (12.65)	288.9 (11.38)	311.2 (12.27)	302.3 (11.90)
387419728	28	332.4 (13.09)	300.0 (11.81)	322.3 (12.71)	313.5 (12.34)
387419729	29	343.5 (13.53)	311.2 (12.25)	333.4 (13.15)	324.6 (12.78)
387419730	30	354.6 (13.96)	322.3 (12.69)	344.5 (13.59)	335.7 (13.22)



NOTES:

1. MATERIAL: SEE TABLE
2. FINISHES: SEE TABLE
3. PRODUCT SPECIFICATION: NOT REQUIRED
4. PACKAGING: NOT REQUIRED
5. MATES WITH: NONE

PROJECT NO. -	1	-
DIMENSIONS:	SHT	REV
<input checked="" type="checkbox"/> mm <input type="checkbox"/> INCH	<input type="checkbox"/> mm <input type="checkbox"/> ONLY	REVISE ON CAD ONLY

EC NO. RELEASED DRN: CY CH: K: APPR: A	DESCRIPTION MAJOR CRITICAL SPC	QUALITY SYMBOLS MAJOR CRITICAL SPC	GENERAL TOLERANCES: (UNLESS SPECIFIED) 4 PLACES ±.038 INCH 3 PLACES ±.005 INCH 2 PLACES ±.13 INCH 1 PLACE ±.3 INCH	SCALE 2:1 DESIGN UNITS <input type="checkbox"/> mm <input checked="" type="checkbox"/> INCH DRAWN BY & DATE C.YDRK 6-5-03 CHECKED BY & DATE APPROVED BY & DATE	THIRD ANGLE PROJECTION TITLE: SR BTS PC ASSY, #8-32 SCREW MOLEX INCORPORATED
		ANGULAR: ±2° DRAFT WHERE APPLICABLE MUST REMAIN WITHIN DIMENSIONS	CAD FILENAME 745XX-A MATERIAL NO. SEE CHART DRAWING NO. SD-38741-001 SHEET NO. 1 OF 1		
		THIS DRAWING CONTAINS INFORMATION THAT IS PROPRIETARY TO MOLEX INCORPORATED AND SHOULD NOT BE USED WITHOUT WRITTEN PERMISSION.			
		SIZE B			

ITEM	QTY.	DESCRIPTION	MATERIAL	FINISH
3	XX	SCREW	BRASS	NICKEL
2	XX	TERMINAL	BRASS	TIN
1	1	BARRIER	THERMOPLASTIC	BLACK